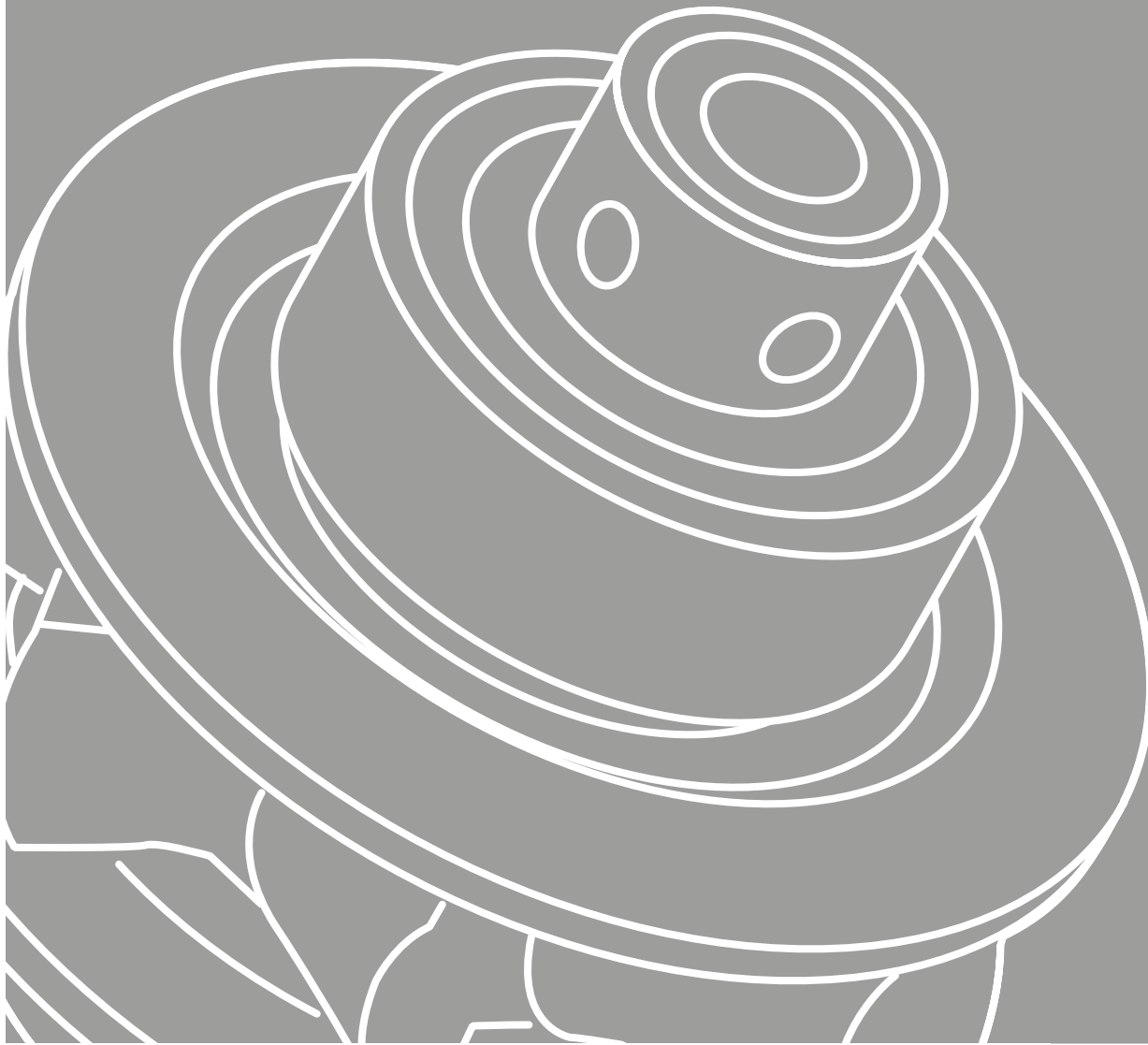


# RICAMBI PER TURBINE

## *HIGH SPEED HANDPIECE SPARE PARTS*



B.A. International®

Bien Air®

Castellini®

Faro®

Ivory®

Kavo®

Midwest®

Mk-Dent®

NSK®

Sirona®

TKD®

W&H®

# FOCUS ROTORI

## ROTORS FOCUS

Il rotore è il cuore di ogni turbina dentale: utilizzare rotori di qualità assicura efficienza e silenziosità. Tecnomed Italia propone una vasta gamma di rotori, con o senza cuscinetti, perfettamente bilanciati e costruiti con materiali di alta qualità. Sono disponibili rotori compatibili con la maggior parte delle turbine in commercio: Bien-Air®, Kavo®, Sirona®, W&H®, Ivory® e molti altri. Sono prodotti secondo gli standard EN ISO 13485, in rispetto alle norme EN ISO 10993-1, EN ISO 17665-1, EN ISO 5349. Ogni rotore è inoltre contrassegnato da un numero di serie che ne garantisce la rintracciabilità.

*The rotor is the heart of every dental turbine. Using quality rotors ensures efficient and silent operation. Tecnomed Italia offers a wide range of rotors, with or without bearings, perfectly balanced and built with high quality materials. Our rotors are compatible with most turbines on the market: Bien-Air®, Kavo®, Sirona®, W&H®, Ivory®, and many others. The rotors are manufactured in according of the EN ISO 13485, EN ISO 10993-1, EN ISO 17665-1, EN ISO 5349 normative. Every rotor is marked with a serial number to guarantee full traceability.*

The products are complies  
EN ISO 13485





## PLUS PRINCIPALI MAIN PLUS

- ✓ Materiali di alta qualità
- ✓ Perfettamente bilanciati
- ✓ Contrassegnati con numero di serie
- ✓ Tenuta della fresa >40 Newton
- ✓ Vasta gamma
- ✓ Con o senza cuscinetti
- ✓ 12 mesi di garanzia
- ✓ EN ISO 13485, EN ISO 10993-1, EN ISO 17665-1, EN ISO 5349

- ✓ Top quality materials
- ✓ Perfectly balanced
- ✓ Marked with serial number
- ✓ Bur gripping force >40 Newton
- ✓ Wide range
- ✓ With or without bearings
- ✓ 12-month warranty
- ✓ EN ISO 13485, EN ISO 10993-1, EN ISO 17665-1, EN ISO 5349

# FOCUS CUSCINETTI ALTA VELOCITÀ

## HIGH SPEED BEARINGS FOCUS

Un cuscinetto dentale deve essere in grado di sopportare le condizioni più estreme ed è, allo stesso tempo, una delle componenti più importanti per il funzionamento della strumentazione. Tecnomed sceglie solo i migliori cuscinetti presenti nel mercato dell'industria dentale, con sfere sia in ceramica che in acciaio. Precisi e affidabili, grazie ai materiali di altissima qualità garantiscono una lunga durata operativa. La minima emissione di rumore è assicurata anche ad alte velocità. I cuscinetti di alta gamma vengono venduti all'interno di una confezione sigillata e contrassegnata con il paese di origine.

*A dental bearing must be able to withstand the most extreme conditions and is, at the same time, one of the most important components for the performance of a dental instrument. Tecnomed chooses only the best bearings in the dental industry market, with both ceramic and steel balls. These are precise and reliable, thanks to the use of the highest quality materials that guarantee a long product life. Minimum noise emission is ensured even at high speeds. High-end bearings are sold in a sealed package and marked with their country of origin.*





Per decenni, Myonic ha fornito ai clienti di tutto il mondo i suoi cuscinetti dentali **innovativi e affidabili** guadagnandosi una posizione di mercato eccezionale. Le velocità di rotazione fino a **500.000 rpm**, le vibrazioni, il vapore surriscaldato o diversi mezzi di pulizia, nonché la penetrazione di sporco come sangue e polvere dei denti, sono le maggiori sfide per tali cuscinetti speciali.

Oltre al **design individuale**, queste sfide sono soddisfatte con una **selezione sistematica di materiali e lubrificanti**. Il risultato è un prodotto su misura per questa applicazione e che soddisfa tutti i requisiti per un lungo periodo.

*For decades, Myonic has been supplying customers around the world with its innovative and reliable dental bearings, gaining an exceptional position in the market. Rotational speeds of up to 500,000 rpms, vibrations, overheated steam or various cleaning tools, as well as the penetration of dirt, such as blood and tooth powder residue, are the biggest challenges for these special bearings.*

*In addition to a unique design, these challenges are met with a systematic selection of materials and lubricants. The result is a product tailored to this application that meets all the desired requirements over time.*



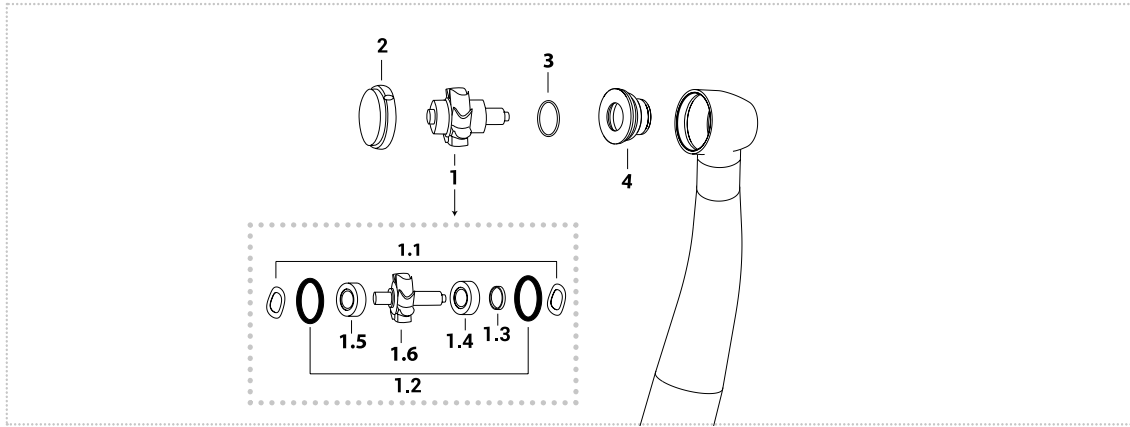
Ricerca prodotti di alta qualità sul mercato a prezzi competitivi è il nostro lavoro. Tecnomed da oltre 10 anni propone anche cuscinetti con proprio brand grazie alla partnership con una storica azienda nordamericana. I nostri cuscinetti dentali vantano **alta qualità e precisione**. Sono ideali per l'uso in manipoli dentali, dispositivi medici e strumenti chirurgici. Con **finitura sfere di grado 3** ed una **precisione superiore a ABEC 7** dimostrano un'alta affidabilità.

Sono venduti con packaging industriale.

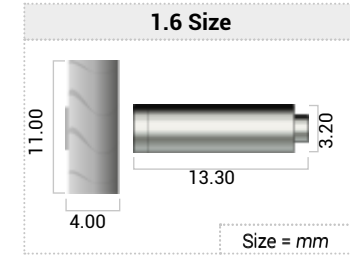
*Searching for high-quality products on the market at competitive prices is our job. For over 10 years, Tecnomed has also been offering bearings under its own brand, thanks to a partnership with an important North American company. Our dental bearings boast of a high quality and precision. They are ideal for use in dental handpieces, medical devices, and surgical instruments. With a grade 3 ball and an accuracy that is higher than an ABEC 7 bearing, they are very reliable.*

*The bearings are sold with an industrial packaging.*





**VIDEO TUTORIAL**



	<b>1</b>	<b>1.1</b>	<b>1.2</b>	<b>1.3</b>	<b>1.4</b>	<b>1.5</b>	<b>1.6</b>	<b>2</b>	<b>3</b>	<b>4</b>
	<b>Complete rotor</b>	<b>Spring washer</b>	<b>O-ring kit 10 pcs</b>	<b>Slinger rotor</b>	<b>Bearing type (burs side)</b>	<b>Bearing type (push side)</b>	<b>Rotor without bearings</b>	<b>Push button</b>	<b>O-ring spray</b>	<b>Cover spray</b>
<b>Order code</b>	R056T R056TK	SA300F	OR1K	NOT AVAILABLE	CN01B CB11BC	CN01B CB11BC	SC04B	PIV1054S	NOT AVAILABLE	NOT AVAILABLE

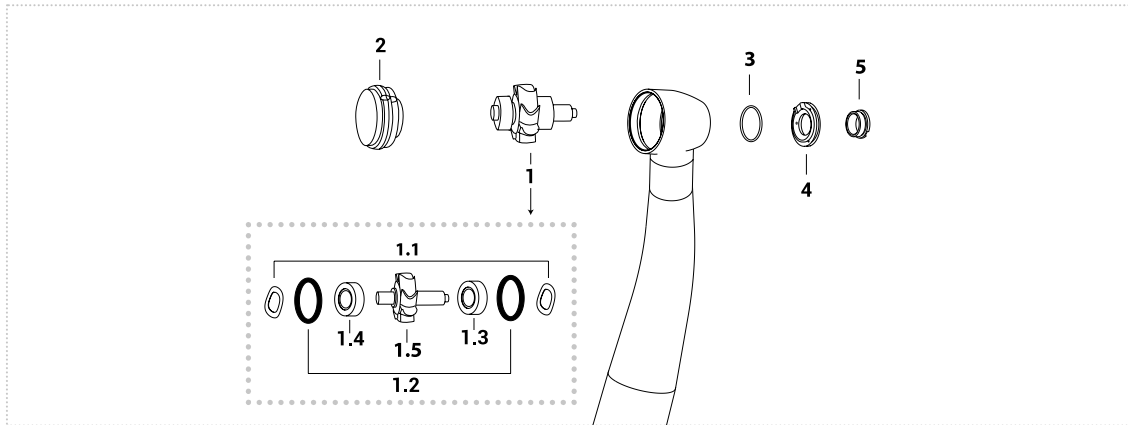
1.4 - 1.5								
	<b>Bearing</b>	<b>Size d.i/d.e/h(mm)</b>	<b>Cage</b>	<b>Balls</b>	<b>Contact</b>	<b>Abec</b>	<b>Brand</b>	<b>Type</b>
<b>Order code</b>	CN01B	3,175X6,350X2,779	Torlon	Steel	Radial	7	Tecnomed Italia	Smooth
	CB11BC	3,175X6,350X2,779	Fenolic	Ceramic	Radial	7	Myonic	Smooth

**RELATED PRODUCTS**

	<b>Push button Key</b>	<b>Adapter for spindles</b>	<b>Lubrication</b>
<b>Order code</b>	KE1033	CL5.001V	Ivory Silk Oil OL101S

# B.A Interantional BA670LKS - Sirona® T1-T2 Control\*

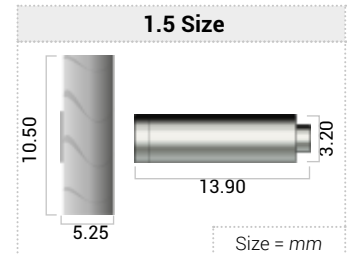
**HIGH SPEED  
HANDPIECE**



\*Push with 2 cuts



VIDEO TUTORIAL



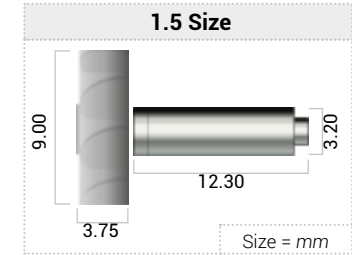
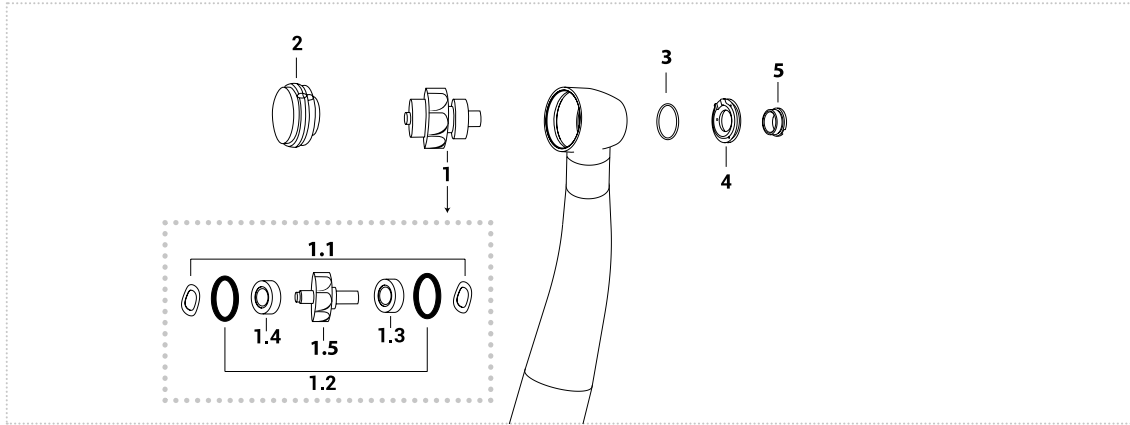
	1	1.1	1.2	1.3	1.4	1.5	2	3	4	5
	<b>Complete rotor</b>	<b>Spring washer</b>	<b>O-ring kit 10 pcs</b>	<b>Bearing type (burs side)</b>	<b>Bearing type (push side)</b>	<b>Rotor without bearings</b>	<b>Push button</b>	<b>O-ring spray</b>	<b>Cover spray</b>	<b>Cover spray screw</b>
<b>Order code</b>	R02T RT22CH RT22T R02TC	SA300F	OR66K	CN01B CN11BC CN11T CB11BC	CN01B CN11BC CN11T CB11BC	SC02S	PIV1037S	704TM3854	NOT AVAIL- LABLE	585TM5890

1.3 - 1.4								
	Bearing	Size d.i./d.e/h(mm)	Cage	Balls	Contact	Abec	Brand	Type
<b>Order code</b>	CN01B	3,175X6,350X2,779	Torlon	Steel	Radial	7	Tecnomed Italia	Smooth
	CN11BC	3,175X6,350X2,779	Torlon	Ceramic	Radial	7	Tecnomed Italia	Smooth
	CN11T	3,175X6,350X2,779	Fenolic	Steel	Radial	7	Myonic	Smooth
	CB11BC	3,175X6,350X2,779	Fenolic	Ceramic	Radial	7	Myonic	Smooth

RELATED PRODUCTS			
<b>Push button Key for 3 slots</b>	<b>Adapter for spindles</b>	<b>Lubrication</b>	
<b>Order code</b>	KIV2050S	CL5.001V	LIV1017 Ivory Silk Oil OL101S

# B.A. International BA678LKS/BA758L - Sirona® T2 Mini

**HIGH SPEED  
HANDPIECE**



<b>1</b>	<b>1.1</b>	<b>1.2</b>	<b>1.3</b>	<b>1.4</b>	<b>1.5</b>	<b>2</b>	<b>3</b>	<b>4</b>	<b>5</b>	
<b>Complete rotor</b>	<b>Spring washer</b>	<b>O-ring kit 10 pcs</b>	<b>Bearing type (burs side)</b>	<b>Bearing type (push side)</b>	<b>Rotor without bearings</b>	<b>Push button</b>	<b>O-ring spray</b>	<b>Cover spray</b>	<b>Cover spray screw</b>	
<b>Order code</b>	R027M	SA300F	OR66K	CN11BC	CN11BC	SC027	PIV1050S	704TM3854	NOT AVAILABLE	585TM5890

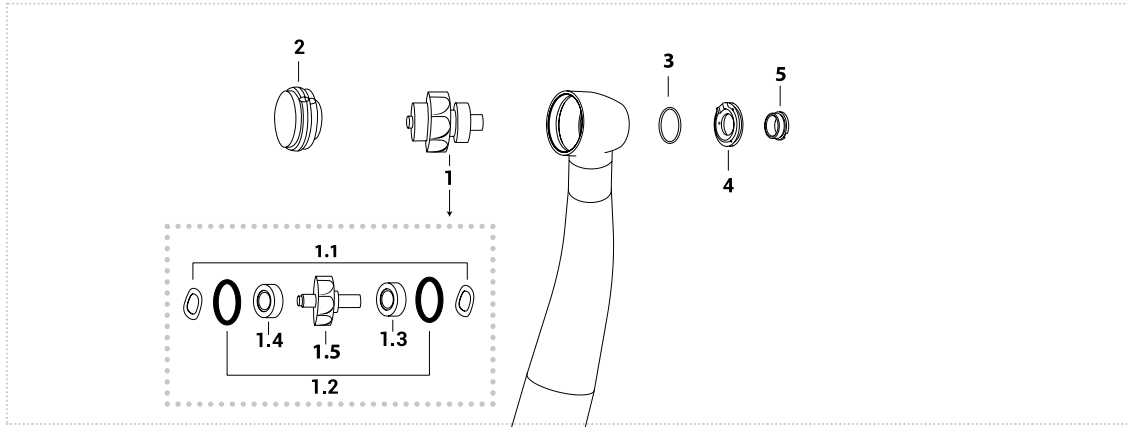
1.3 - 1.4							
<b>Bearing</b>	<b>Size d.i./d.e/h(mm)</b>	<b>Cage</b>	<b>Balls</b>	<b>Contact</b>	<b>Abec</b>	<b>Brand</b>	<b>Type</b>
CN11BC	3,175X6,350X2,779	Torlon	Ceramic	Radial	7	Tecnomed Italia	Smooth

<b>RELATED PRODUCTS</b>			
<b>Push button Key for 3 slots</b>	<b>Adapter for spindles</b>	<b>Lubrication</b>	
<b>Order code</b>	KIV2050S	CL5.001V	LIV1017 Ivory Silk Oil OL101S

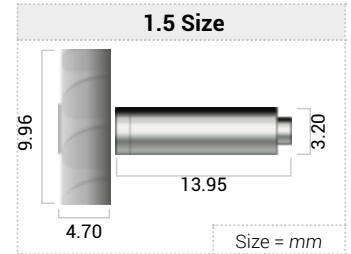












# B.A. International BA695L/BA755L - Fona 8080L SR - Sirona® T2 Racer - Siroboost S/T

**HIGH SPEED  
HANDPIECE**



**VIDEO TUTORIAL**

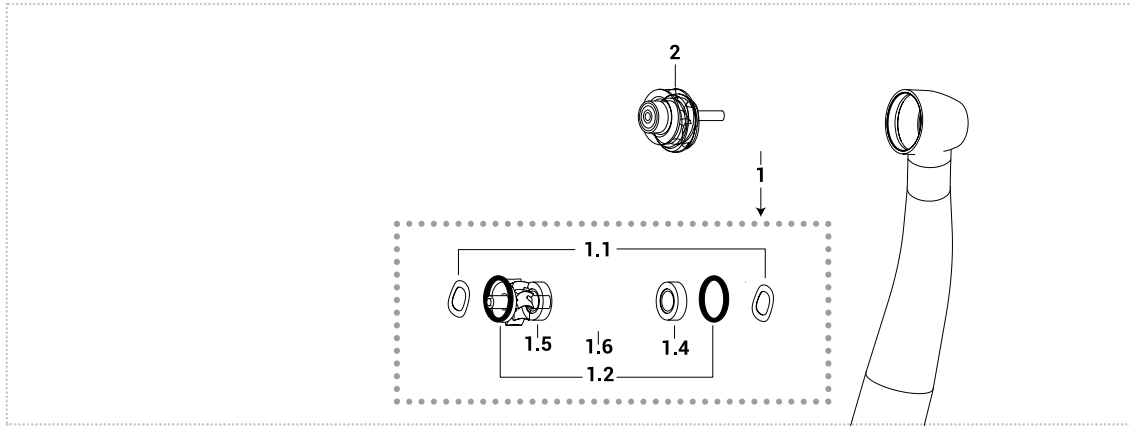


										
	<b>1</b>	<b>1.1</b>	<b>1.2</b>	<b>1.3</b>	<b>1.4</b>	<b>1.5</b>	<b>2</b>	<b>3</b>	<b>4</b>	<b>5</b>
	<b>Complete rotor</b>	<b>Spring washer</b>	<b>O-ring kit 10 pcs</b>	<b>Bearing type (burs side)</b>	<b>Bearing type (push side)</b>	<b>Rotor without bearings</b>	<b>Push button</b>	<b>O-ring spray</b>	<b>Cover spray</b>	<b>Cover spray screw</b>
<b>Order code</b>	R046R	SA300F	OR1K	CN01B	CN01B	SC46S	PIV1048S	704TM3854	NOT AVAILABLE	585TM5890
	R046CH			CN11BC	CN11BC					
	R046RB			CN11T	CN11T					
	R046RC			CB11BC	CB11BC					

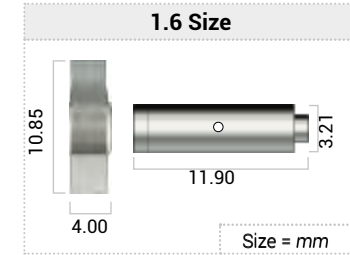
<b>1.3 - 1.4</b>								
<b>Order code</b>	<b>Bearing</b>	<b>Size d.i./d.e/h(mm)</b>	<b>Cage</b>	<b>Balls</b>	<b>Contact</b>	<b>Abec</b>	<b>Brand</b>	<b>Type</b>
	CN01B	3,175X6,350X2,779	Torlon	Steel	Radial	7	Tecnomed Italia	Smooth
	CN11BC	3,175X6,350X2,779	Torlon	Ceramic	Radial	7	Tecnomed Italia	Smooth
	CN11T	3,175X6,350X2,779	Fenolic	Steel	Radial	7	Myonic	Smooth
	CB11BC	3,175X6,350X2,779	Fenolic	Ceramic	Radial	7	Myonic	Smooth

## RELATED PRODUCTS

				
	<b>Push button Key for 3 slots</b>	<b>Adapter for spindles</b>	<b>Lubrication</b>	
<b>Order code</b>	KIV2050S	CL5.001V	LIV1017	Ivory Silk Oil OL101S



**VIDEO TUTORIAL**



	<b>1</b>	<b>1.1</b>	<b>1.2</b>	<b>1.3</b>	<b>1.4</b>	<b>1.5</b>	<b>1.6</b>	<b>2</b>
	<b>Complete rotor</b>	<b>Spring washer</b>	<b>O-ring kit 10 pcs</b>	<b>Slinger rotor</b>	<b>Bearing type (burs side)</b>	<b>Bearing type (push side)</b>	<b>Rotor without bearings</b>	<b>Push button</b>
<b>Order code</b>	HBA837B	SA300F	OR1K	NOT AVAILABLE	CN01B	CN01B	SC837B	NOT AVAILABLE
	HBA837CC				CB11BC	CB11BC		

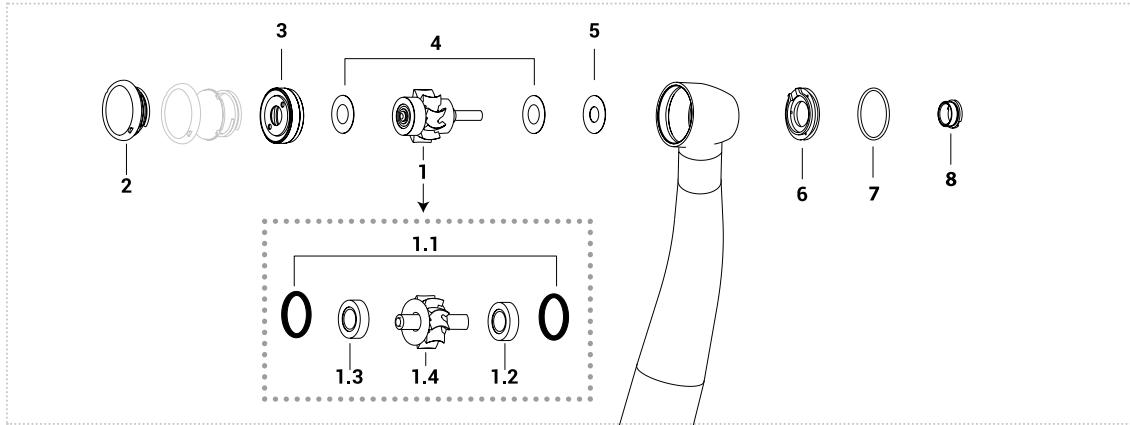
1.4 - 1.5								
	<b>Bearing</b>	<b>Size d.i/d.e/h(mm)</b>	<b>Cage</b>	<b>Balls</b>	<b>Contact</b>	<b>Abec</b>	<b>Brand</b>	<b>Type</b>
<b>Order code</b>	CN01B	3,175X6,350X2,779	Torlon	Steel	Radial	7	Tecnomed Italia	Smooth
	CB11BC	3,175X6,350X2,779	Fenolic	Ceramic	Radial	7	Myonic	Smooth

**RELATED PRODUCTS**

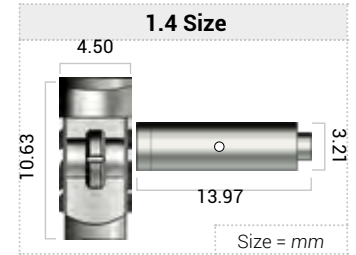
	<b>Push button key for 4 slots</b>	<b>Adapter for spindles</b>	<b>Lubrication</b>
<b>Order code</b>	KIV8000K	CL5.001V	Ivory Silk Oil OL101S

# Bien Air® Bora/L/LED/S36/BLACK LINE

**HIGH SPEED  
HANDPIECE**



**VIDEO TUTORIAL**



	<b>1</b>	<b>1.1</b>	<b>1.2</b>	<b>1.3</b>	<b>1.4</b>	<b>2</b>	<b>3</b>	<b>4</b>	<b>5</b>	<b>6</b>	<b>7</b>	<b>8</b>
	<b>Complete rotor</b>	<b>O-ring kit 10 pcs</b>	<b>Bearing type (burs side)</b>	<b>Bearing type (push side)</b>	<b>Rotor without bearings</b>	<b>Push button complete</b>	<b>Back cap</b>	<b>Teflon shim (big hole)</b>	<b>Teflon shim (small hole)</b>	<b>Spray distributor</b>	<b>O-ring spray</b>	<b>Fixing ring</b>
<b>Order code</b>	HBA836	OR2B	CU8B	CU8B	SC836B	PIV2013B	009T3458	OR22B	009TM3452	OIV641K	705TM0250	OIV640K
	HBB836CH		CT88C	CT88C								
	HBB836B		CUT8T	CUT8T								
	HBB836C		CB89C	CB89C								

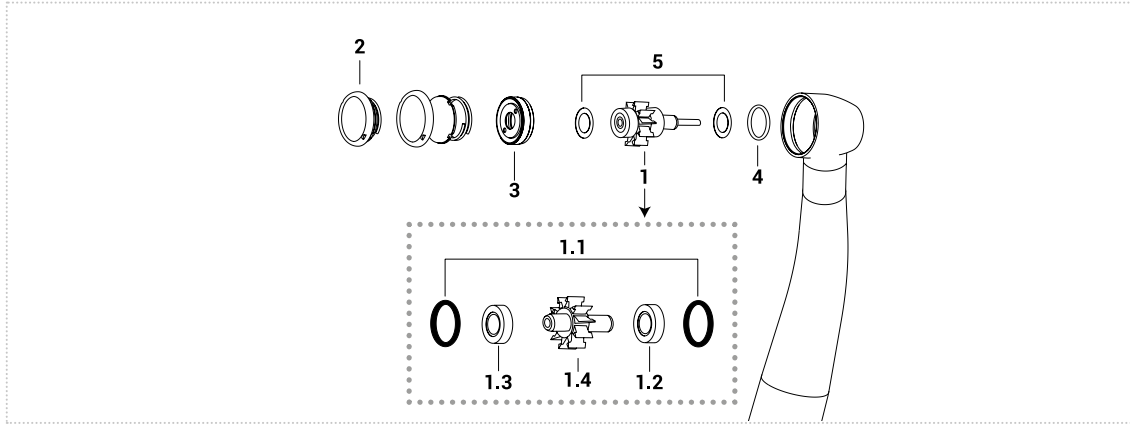
1.2 - 1.3								
<b>Order code</b>	<b>Bearing</b>	<b>Size d.i/d.e/h(mm)</b>	<b>Cage</b>	<b>Balls</b>	<b>Contact</b>	<b>Abec</b>	<b>Brand</b>	<b>Type</b>
	CU8B	3,175X7,938X3,571	Torlon	Steel	Radial	7	Tecnomed Italia	Smooth
	CT88C	3,175X7,938X3,571	Torlon	Ceramic	Radial	7	Tecnomed Italia	Smooth
	CUT8T	3,175X7,938X3,571	Fenolic	Steel	Radial	7	Myonic	Smooth
	CB89C	3,175X7,938X3,571	Fenolic	Ceramic	Radial	7	Myonic	Smooth

## RELATED PRODUCTS

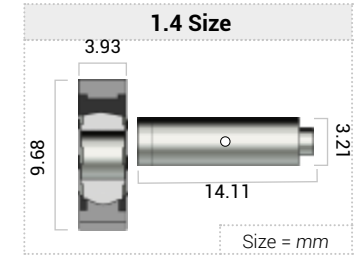
	<b>Push button &amp; back cap Key</b>	<b>Head expander</b>	<b>Adapter for spindles</b>	<b>Lubrication</b>	
<b>Order code</b>	KIV2020B	RT025M	CL5.001V	Ivory Silk Oil OL101S	LIV1014

# Bien Air® Black Pearl ECO 2-3/4 WAY - Cromax standard head 2-3/4 WAY - Boralina

**HIGH SPEED  
HANDPIECE**



**VIDEO TUTORIAL**



	<b>1</b>	<b>1.1</b>	<b>1.2</b>	<b>1.3</b>	<b>1.4</b>	<b>2</b>	<b>3</b>	<b>4</b>	<b>5</b>
	<b>Complete rotor</b>	<b>O-ring kit 10 pcs</b>	<b>Bearing type (burs side)</b>	<b>Bearing type (push side)</b>	<b>Rotor without bearings</b>	<b>Push button complete</b>	<b>Back cap</b>	<b>Teflon shim (big hole)</b>	<b>Teflon shim (small hole)</b>
<b>Order code</b>	HBA839B HBT839T	OR2B	CU8B CUT8T	CU8B CUT8T	SC839B	PIV2011B	009T4023	OR22B	OR21B

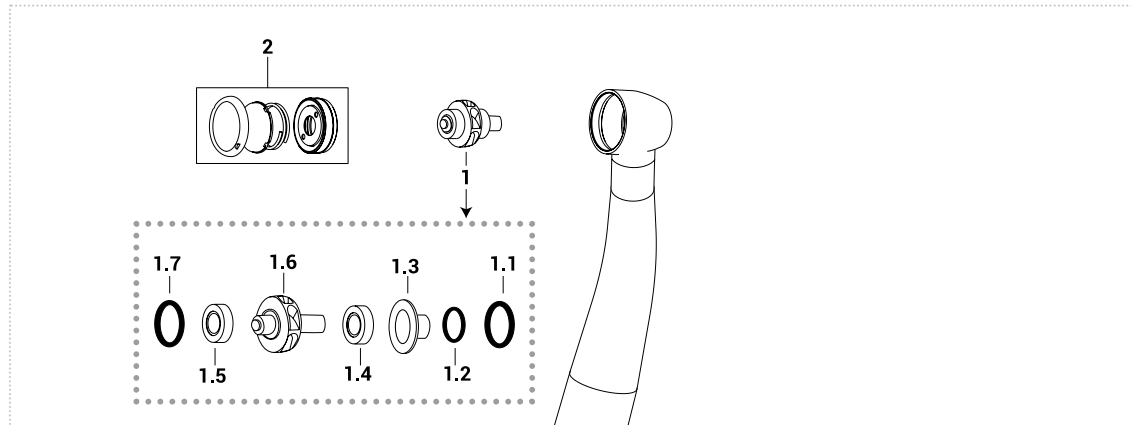
1.2 - 1.3								
Order code	Bearing	Size d.i./d.e/h(mm)	Cage	Balls	Contact	Abec	Brand	Type
	CU8B	3,175X7,938X3,571	Torlon	Steel	Radial	7	Tecnomed Italia	Smooth
	CUT8T	3,175X7,938X3,571	Fenolic	Steel	Radial	7	Myonic	Smooth

## RELATED PRODUCTS

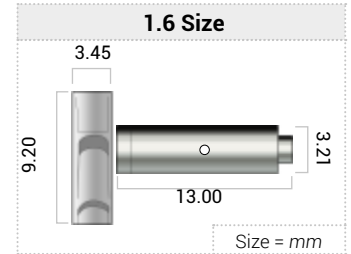
<b>Push button &amp; back cap Key</b>	<b>Adapter for spindles</b>	<b>Lubrication</b>	
<b>Order code</b>	KIV2020B	CL5.001V	Ivory Silk Oil <b>OL101S</b> LIV1014

# Bien Air® Ondine/S30 - Croma Small head

**HIGH SPEED  
HANDPIECE**



**VIDEO TUTORIAL**

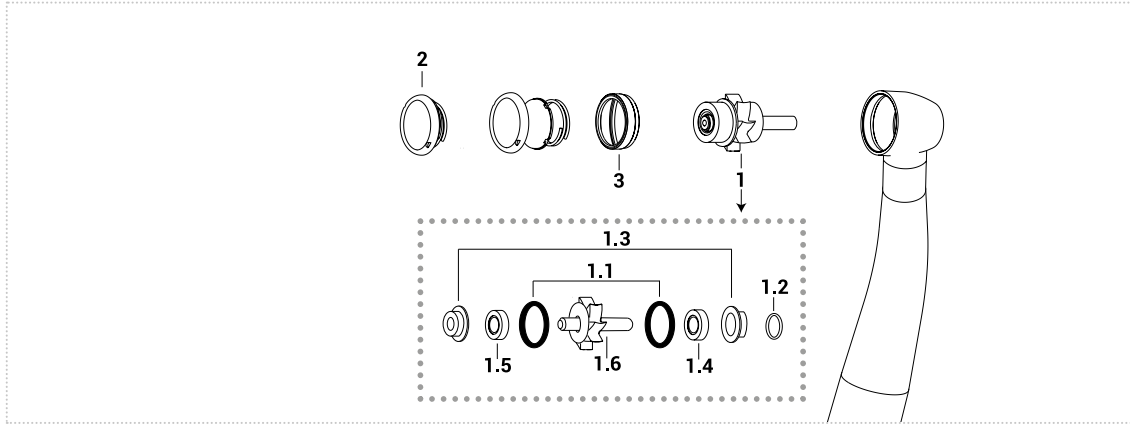


	<b>1</b>	<b>1.1</b>	<b>1.2</b>	<b>1.3</b>	<b>1.4</b>	<b>1.5</b>	<b>1.6</b>	<b>1.7</b>	<b>2</b>
	<b>Complete rotor</b>	<b>O-ring kit 10 pcs</b>	<b>O-ring Bushing</b>	<b>Bushing burs side</b>	<b>Bearing type (burs side)</b>	<b>Bearing type (push side)</b>	<b>Rotor without bearings</b>	<b>Back O-ring</b>	<b>Push button complete</b>
<b>Order code</b>	HBA835 HBT835C	OR3B	OR31B	CAP785	CN01B CB11BC	CN01B CB11BC	SC835B	OR1K	PIV2036B

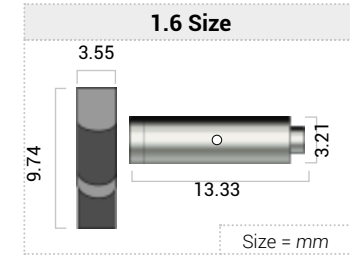
1.4 - 1.5								
	<b>Bearing</b>	<b>Size d.i./d.e/h(mm)</b>	<b>Cage</b>	<b>Balls</b>	<b>Contact</b>	<b>Abec</b>	<b>Brand</b>	<b>Type</b>
<b>Order code</b>	CN01B	3,175X6,350X2,779	Torlon	Steel	Radial	7	Tecnomed Italia	Smooth
	CB11BC	3,175X6,350X2,779	Fenolic	Ceramic	Radial	7	Myonic	Smooth

## RELATED PRODUCTS

	<b>Push button key</b>	<b>Adapter for spindles</b>	<b>Lubrication</b>	
<b>Order code</b>	KIV835B	CL5.001V	Ivory Silk Oil OL101S	LIV1014



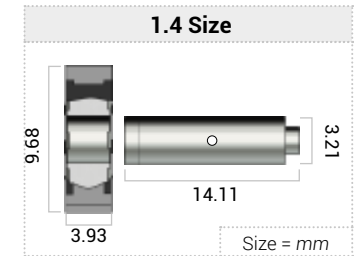
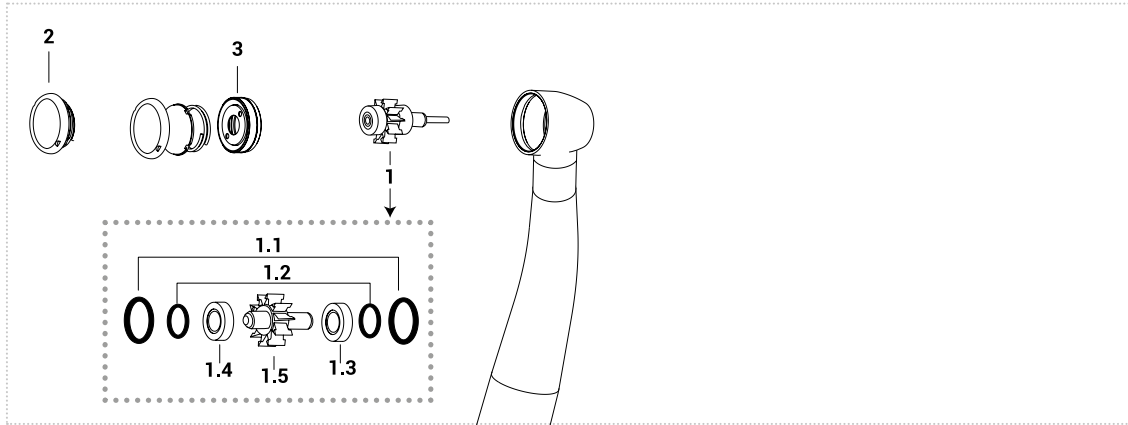
**VIDEO TUTORIAL**











	<b>1</b>	<b>1.1</b>	<b>1.2</b>	<b>1.3</b>	<b>1.4</b>	<b>1.5</b>	<b>1.6</b>	<b>2</b>	<b>3</b>
	<b>Complete rotor</b>	<b>O-ring kit 10 pcs</b>	<b>O-ring Bushing</b>	<b>Kit Bushing</b>	<b>Bearing type (burs side)</b>	<b>Bearing type (push side)</b>	<b>Rotor without bearings</b>	<b>Push button complete</b>	<b>Back cap</b>
<b>Order code</b>	HBA800B	OR31B	OR3B	CAP784	CN01B	CN01B	SC800B	PIV2024B	009T3145
	HBA800CC				CB11BC	CB11BC			



1.4 - 1.5								
<b>Order code</b>	<b>Bearing</b>	<b>Size d.i/d.e/h(mm)</b>	<b>Cage</b>	<b>Balls</b>	<b>Contact</b>	<b>Abec</b>	<b>Brand</b>	<b>Type</b>
	CN01B	3,175X6,350X2,779	Torlon	Steel	Radial	7	Tecnomed Italia	Smooth
	CB11BC	3,175X6,350X2,779	Fenolic	Ceramic	Radial	7	Myonic	Smooth

<b>RELATED PRODUCTS</b>				
<b>Push button &amp; back cap Key</b>	<b>Head expander</b>	<b>Adapter for spindles</b>	<b>Lubrication</b>	
<b>Order code</b>	KIV835B	RT026	CL5.001V	Ivory Silk Oil OL101S LIV1014



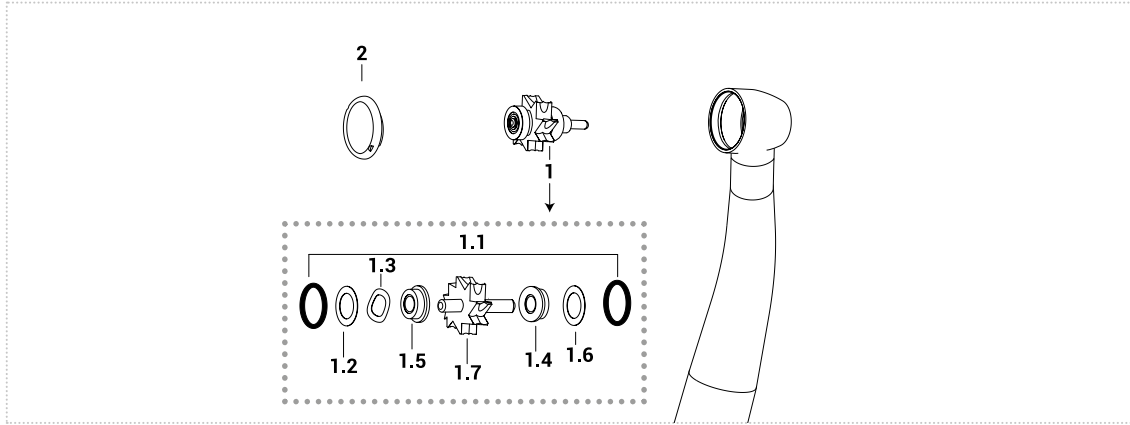
								
	1	1.1	1.2	1.3	1.4	1.5	2	3
	Complete rotor	O-ring kit 10 pcs	O-ring Bushing	Bearing type (burs side)	Bearing type (push side)	Rotor without bearings	Push button complete	Back cap
Order code	HBA834	OR2B	OR21B	CU8B	CU8B	SC834B	PIV2024B	009T4023
	HBB834CH			CT88C	CT88C			
	HBB834B			CUT8T	CUT8T			
	HBB834C			CB89C	CB89C			

1.3 - 1.4								
Order code	Bearing	Size d.i/d.e/h(mm)	Cage	Balls	Contact	Abec	Brand	Type
	CU8B	3,175X7,938X3,571	Torlon	Steel	Radial	7	Tecnomed Italia	Smooth
	CT88C	3,175X7,938X3,571	Torlon	Ceramic	Radial	7	Tecnomed Italia	Smooth
	CUT8T	3,175X7,938X3,571	Fenolic	Steel	Radial	7	Myonic	Smooth
	CB89C	3,175X7,938X3,571	Fenolic	Ceramic	Radial	7	Myonic	Smooth

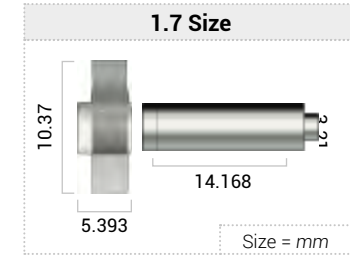
RELATED PRODUCTS			
			
<b>Push button &amp; back cap Key</b>	<b>Adapter for spindles</b>	<b>Lubrication</b>	
Order code	KIV2020B	CL5.001V	Ivory Silk Oil OL101S LIV1014

# Castellini® Hi-Power M - Clean Air 2000

**HIGH SPEED  
HANDPIECE**



**VIDEO TUTORIAL**



	<b>1</b>	<b>1.1</b>	<b>1.2</b>	<b>1.3</b>	<b>1.4</b>	<b>1.5</b>	<b>1.6</b>	<b>1.7</b>	<b>2</b>
	<b>Complete rotor</b>	<b>O-ring kit 10 pcs</b>	<b>Metal shim</b>	<b>Spring washer</b>	<b>Bearing type (burs side)</b>	<b>Bearing type (push side)</b>	<b>Plastic shim</b>	<b>Rotor without bearings</b>	<b>Push button</b>
<b>Order code</b>	HCL841	OR1K	SA100F	SA300F	CU7C	CU7C	NOT AVAILABLE	SC841C	PIV1038C
	HCC841C				CB77C	CB77C			



1.4 - 1.5								
	<b>Bearing</b>	<b>Size d.i/d.e/h(mm)</b>	<b>Cage</b>	<b>Balls</b>	<b>Contact</b>	<b>Abec</b>	<b>Brand</b>	<b>Type</b>
<b>Order code</b>	CU7C	3,175X6,350X2,779	Torlon	Steel	Radial	7	Tecnomed Italia	Smooth Flanged
	CB77C	3,175X6,350X2,779	Fenolic	Ceramic	Radial	7	Myonic	Smooth Flanged

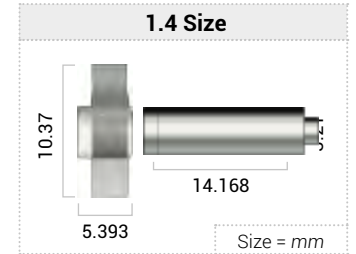
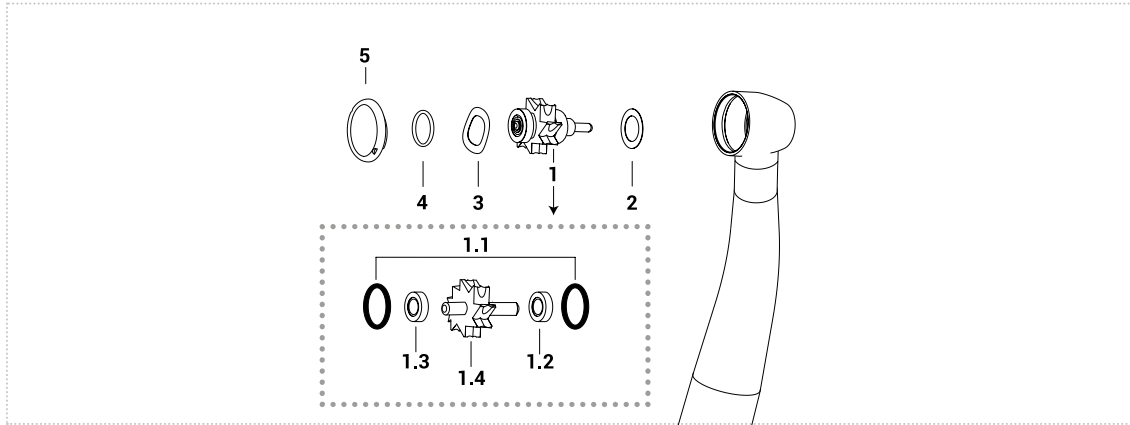
**RELATED PRODUCTS**

	<b>Push button &amp; back cap Key</b>	<b>Adapter for spindles</b>	<b>Lubrication</b>
<b>Order code</b>	KIV1011K	CL5.001V	Ivory Silk Oil OL101S



# Castellini® TESTA STANDARD Hi-Power 2 ceramics - Titanium Gold/2L

**HIGH SPEED  
HANDPIECE**



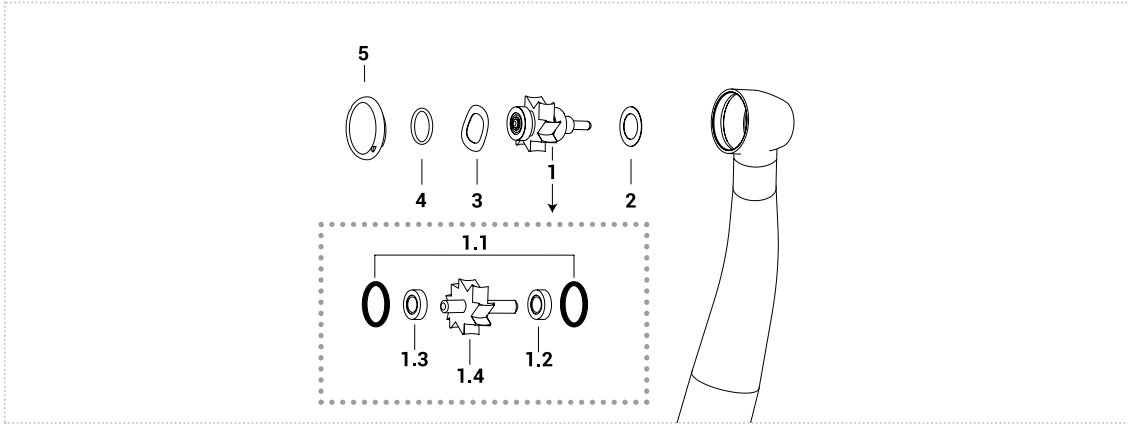
	1	1.1	1.2	1.3	1.4	2	3	4	5
	Complete rotor	O-ring kit 10 pcs	Bearing type (burs side)	Bearing type (push side)	Rotor without bearings	Plastic shim	Spring washer	Metal shim	Push button
Order code	HCL862	OR1K	CN01B	CN01B	SC841C	NOT AVAILABLE	SA300F	SA100F	PIV1039C
	HCC862CH		CN11BC	CN11BC					
	HCC862B		CN11T	CN11T					
	HCC862CH		CB11BC	CB11BC					

1.2 - 1.3								
Order code	Bearing	Size d.i./d.e/h(mm)	Cage	Balls	Contact	Abec	Brand	Type
	CN01B	3,175X6,350X2,779	Torlon	Steel	Radial	7	Tecnomed Italia	Smooth
	CN11BC	3,175X6,350X2,779	Torlon	Ceramic	Radial	7	Tecnomed Italia	Smooth
	CN11T	3,175X6,350X2,779	Fenolic	Steel	Radial	7	Myonic	Smooth
	CB11BC	3,175X6,350X2,779	Fenolic	Ceramic	Radial	7	Myonic	Smooth

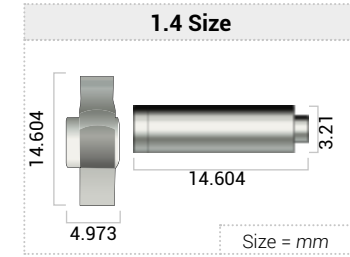
RELATED PRODUCTS		
Order code	Order code	Order code
KIV1077T	CL5.001V	Ivory Silk Oil OL101S

# Castellini® Silent Power 2/L - 4/L - GOLD

**HIGH SPEED  
HANDPIECE**



**VIDEO TUTORIAL**



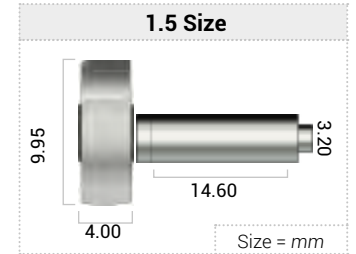
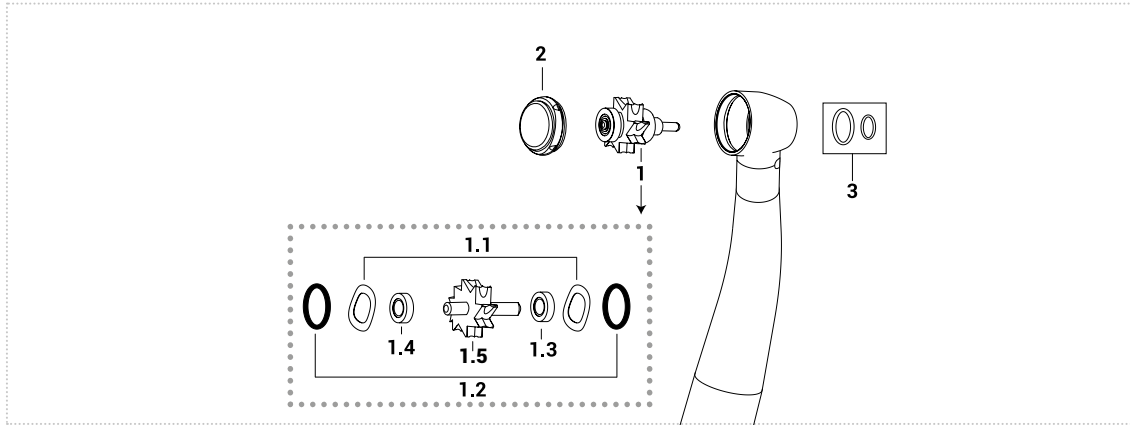
	<b>1</b>	<b>1.1</b>	<b>1.2</b>	<b>1.3</b>	<b>1.4</b>	<b>2</b>	<b>3</b>	<b>4</b>	<b>5</b>
	<b>Complete rotor</b>	<b>O-ring kit 10 pcs</b>	<b>Bearing type (burs side)</b>	<b>Bearing type (push side)</b>	<b>Rotor without bearings</b>	<b>Plastic shim</b>	<b>Spring washer</b>	<b>Metal shim</b>	<b>Push button</b>
<b>Order code</b>	HCL873 HCC873B	OR1K	CN01B CB11BC	CN01B CB11BC	SC873C	NOT AVAILABLE	SA300F	SA100F	PIV1040C



1.2 - 1.3								
	<b>Bearing</b>	<b>Size d.i/d.e/h(mm)</b>	<b>Cage</b>	<b>Balls</b>	<b>Contact</b>	<b>Abec</b>	<b>Brand</b>	<b>Type</b>
<b>Order code</b>	CN01B	3,175X6,350X2,779	Torlon	Steel	Radial	7	Tecnomed Italia	Smooth
	CB11BC	3,175X6,350X2,779	Fenolic	Ceramic	Radial	7	Myonic	Smooth

## RELATED PRODUCTS

<b>Order code</b>	KIV1077T	CL5.001V	Ivory Silk Oil OL101S



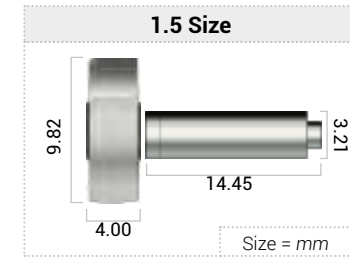
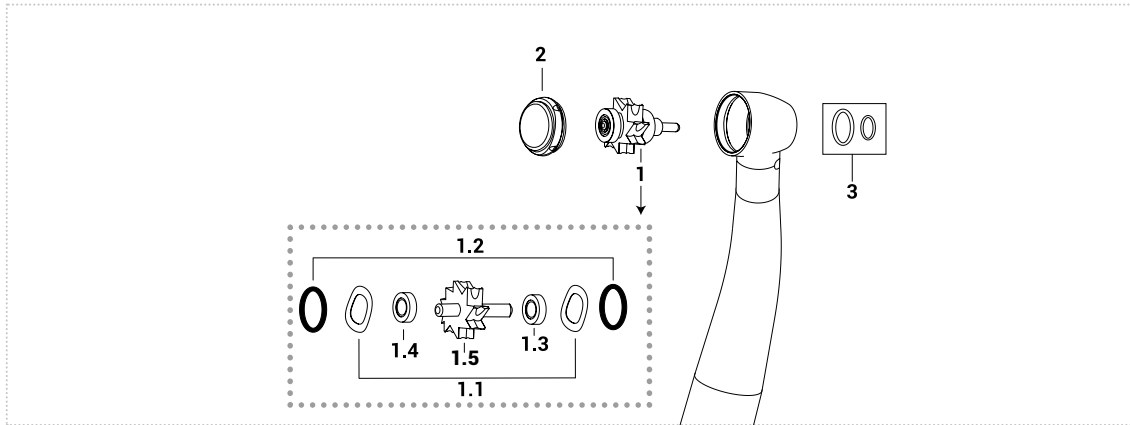
	<b>1</b>	<b>1.1</b>	<b>1.2</b>	<b>1.3</b>	<b>1.4</b>	<b>1.5</b>	<b>2</b>	<b>3</b>
	<b>Complete rotor</b>	<b>Spring washer</b>	<b>O-ring kit 10 pcs</b>	<b>Bearing type (burs side)</b>	<b>Bearing type (push side)</b>	<b>Rotor without bearings</b>	<b>Push button</b>	<b>O-ring spray</b>
<b>Order code</b>	041TMS087	SA300FO	OIV1011	CN01B	CN01B	041TM087	PIV40TRF	NOT AVAILABLE
	041TMC087			CB11BC	CB11BC			

1.3 - 1.4								
Order code	Bearing	Size d.i/d. e/h(mm)	Cage	Balls	Contact	Abec	Brand	Type
	CN01B	3,175X6,350X2,779	Torlon	Steel	Radial	7	Tecnomed Italia	Smooth
	CB11BC	3,175X6,350X2,779	Fenolic	Ceramic	Radial	7	Myonic	Smooth

RELATED PRODUCTS			
<b>Push button key for 4 slots</b>	<b>Spraycover Key</b>	<b>Adapter for spindles</b>	<b>Lubrication</b>
<b>Order code</b>	KIV8000K	Philips-head screwdriver	CL5.001V
			Ivory Silk Oil OL101S

# Faro® Trilogy Plus

**HIGH SPEED  
HANDPIECE**



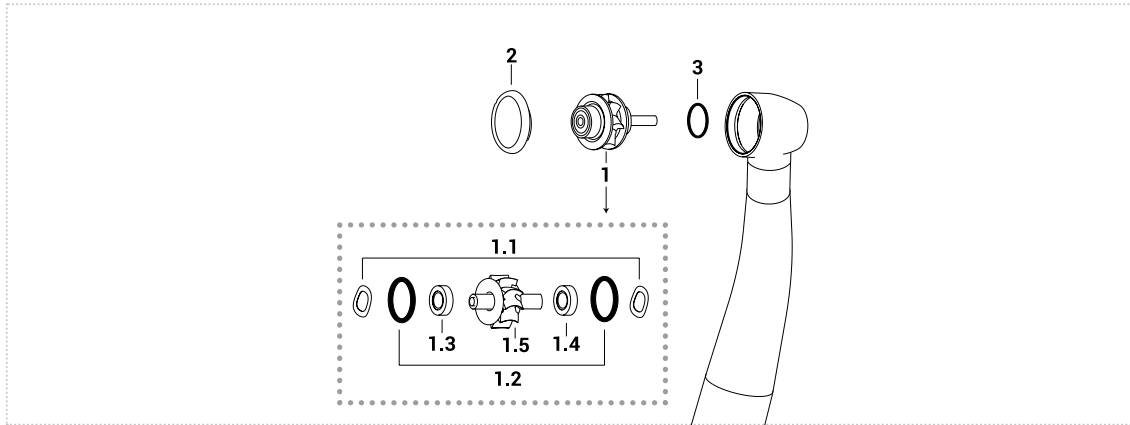
	<b>1</b>	<b>1.1</b>	<b>1.2</b>	<b>1.3</b>	<b>1.4</b>	<b>1.5</b>	<b>2</b>	<b>3</b>
	<b>Complete rotor</b>	<b>Spring washer</b>	<b>O-ring kit 10 pcs</b>	<b>Bearing type (burs side)</b>	<b>Bearing type (push side)</b>	<b>Rotor without bearings</b>	<b>Push button</b>	<b>O-ring spray</b>
<b>Order code</b>	041TMS088 041TMC088	SA300FO	OIV1011	CN01B CB11BC	CN01B CB11BC	041TM088	041065	NOT AVAILABLE

1.3 - 1.4								
	Bearing	Size d.i/d.e/h(mm)	Cage	Balls	Contact	Abec	Brand	Type
<b>Order code</b>	CN01B	3,175X6,350X2,779	Torlon	Steel	Radial	7	Tecnomed Italia	Smooth
	CB11BC	3,175X6,350X2,779	Fenolic	Ceramic	Radial	7	Myonic	Smooth

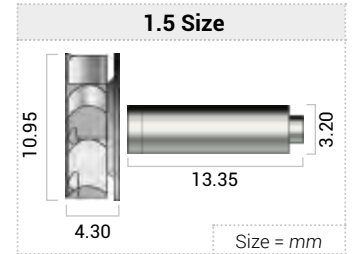
RELATED PRODUCTS			
<b>Push button key for 4 slots</b>	<b>Spraycover Key</b>	<b>Adapter for spindles</b>	<b>Lubrication</b>
<b>Order code</b>	KIV8000K	Philips-head screwdriver	CL5.001V
			Ivory Silk Oil OL101S

# Faro® MT02 - Kavo® Smart Torque S609L/S609C - Smart Torque LUX 619L/619C

**HIGH SPEED  
HANDPIECE**



**VIDEO TUTORIAL**

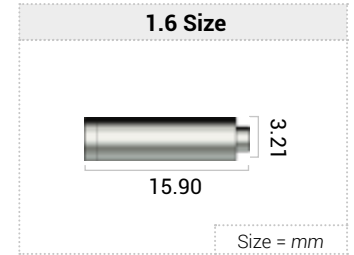
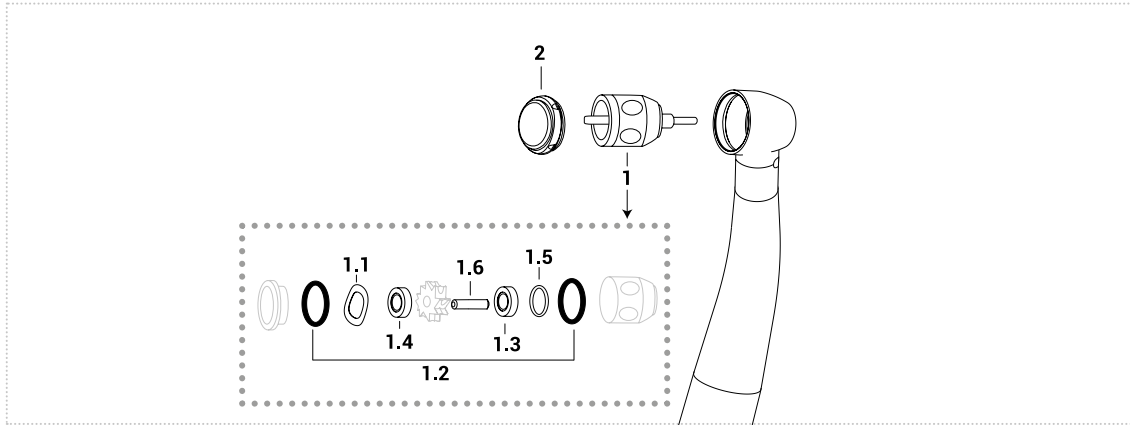


	<b>1</b>	<b>1.1</b>	<b>1.2</b>	<b>1.3</b>	<b>1.4</b>	<b>1.5</b>	<b>2</b>	<b>3</b>
	<b>Complete rotor</b>	<b>Spring washer</b>	<b>O-ring kit 10 pcs</b>	<b>Bearing type (burs side)</b>	<b>Bearing type (push side)</b>	<b>Rotor without bearings</b>	<b>Push button</b>	<b>O-ring spray big</b>
<b>Order code</b>	HKV619K HKV619KC	SA300F	OR1K	CN01B CN11BC	CN01B CN11BC	SC619K	HKV655	OIV613276

1.3 - 1.4								
<b>Order code</b>	<b>Bearing</b>	<b>Size d.i./d.e/h(mm)</b>	<b>Cage</b>	<b>Balls</b>	<b>Contact</b>	<b>Abec</b>	<b>Brand</b>	<b>Type</b>
	CN01B	3,175X6,350X2,779	Torlon	Steel	Radial	7	Tecnomed Italia	Smooth
	CN11BC	3,175X6,350X2,779	Torlon	Ceramic	Radial	7	Tecnomed Italia	Smooth

## RELATED PRODUCTS

<b>Push button key for 4 slots</b>	<b>Adapter for spindles</b>	<b>Lubrication</b>	
<b>Order code</b>	KIV8000K	CL5.001V	LIV1012 Ivory Silk Oil OL101S



	<b>1</b>	<b>1.1</b>	<b>1.2</b>	<b>1.3</b>	<b>1.4</b>	<b>1.5</b>	<b>1.6</b>	<b>2</b>
	<b>Complete rotor</b>	<b>Spring washer</b>	<b>O-ring kit 10 pcs</b>	<b>Bearing type (burs side)</b>	<b>Bearing type (push side)</b>	<b>Flat shim</b>	<b>Spindle</b>	<b>Push button</b>
<b>Order code</b>	NOT AVAILABLE	SA300FO	OIV1011	CN01B CB11BC	CN01B CB11BC	SA100F	MIV2019F	PIV4050F

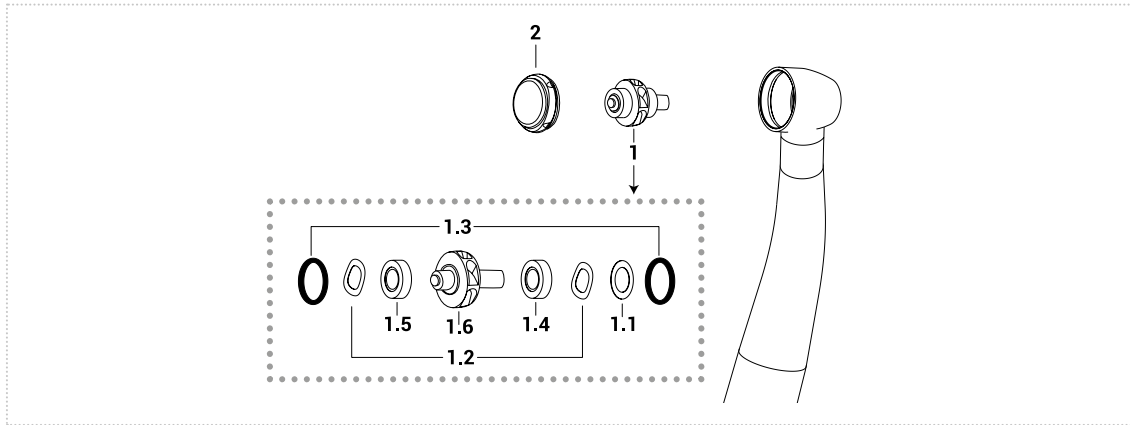
1.3 - 1.4								
	Bearing	Size d.i./d.e/h(mm)	Cage	Balls	Contact	Abec	Brand	Type
<b>Order code</b>	CN01B	3,175X6,350X2,779	Torlon	Steel	Radial	7	Tecnomed Italia	Smooth
	CB11BC	3,175X6,350X2,779	Fenolic	Ceramic	Radial	7	Myonic	Smooth

**RELATED PRODUCTS**

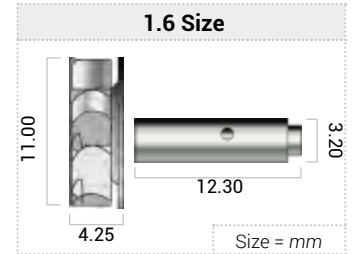
	<b>Key for Push button not original</b>	<b>Adapter for spindles</b>	<b>Lubrication</b>
<b>Order code</b>	KIV2050S	CL5.001V	Ivory Silk Oil OL101S

# Ivory T501\*L

**HIGH SPEED  
HANDPIECE**



* Coupler type	
K	Kavo coupler
B	BienAir coupler
N	NSK coupler
S	Sirona coupler



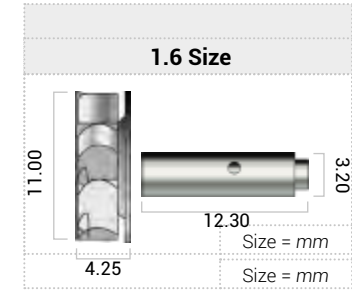
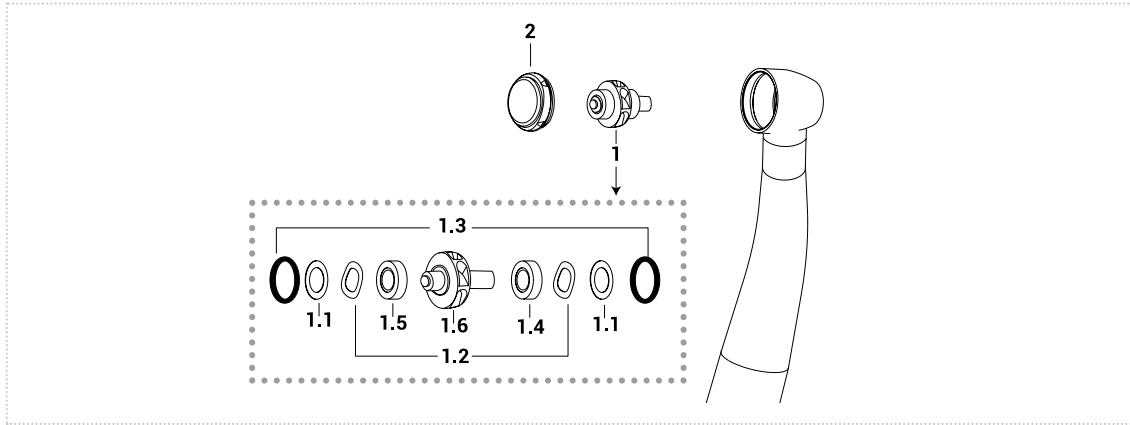
	<b>1</b>	<b>1.1</b>	<b>1.2</b>	<b>1.3</b>	<b>1.4</b>	<b>1.5</b>	<b>1.6</b>	<b>2</b>
	<b>Complete rotor</b>	<b>Shim</b>	<b>Spring washer</b>	<b>O-ring kit 10 pcs</b>	<b>Bearing type (burs side)</b>	<b>Bearing type (push side)</b>	<b>Rotor without bearings</b>	<b>Push button</b>
<b>Order code</b>	TIV500.1	SA100F	SA300F	OR1K	CB11BC	CB22BC	NOT AVAILABLE	HKV800

1.4 - 1.5								
	Bearing	Size d.i./d.e/h(mm)	Cage	Balls	Contact	Abec	Brand	Type
<b>Original Code</b>	T501.3	3,175X6,350X2,779	Torlon	Ceramic	Radial	7	Myonic	Smooth
<b>Order code</b>	CN01B	3,175X6,350X2,779	Torlon	Steel	Radial	7	Tecnomed Italia	Smooth
	CN11BC	3,175X6,350X2,779	Torlon	Ceramic	Radial	7	Tecnomed Italia	Smooth
	CN11T	3,175X6,350X2,779	Fenolic	Steel	Radial	7	Myonic	Smooth
	CB11BC	3,175X6,350X2,779	Fenolic	Ceramic	Radial	7	Myonic	Smooth
<b>Original Code</b>	T501.4	3,175X6,350X2,380	Torlon	Ceramic	Radial	7	Myonic	Smooth
<b>Order code</b>	CN02A	3,175X6,350X2,380	Torlon	Steel	Radial	7	Tecnomed Italia	Smooth
	CN22BC	3,175X6,350X2,380	Torlon	Ceramic	Radial	7	Tecnomed Italia	Smooth
	CN22MC	3,175X6,350X2,380	Fenolic	Steel	Radial	7	Myonic	Smooth
	CB22BC	3,175X6,350X2,380	Fenolic	Ceramic	Radial	7	Myonic	Smooth

RELATED PRODUCTS		
<b>Push button key for 4 slots</b>	<b>Adapter for spindles</b>	<b>Lubrication</b>
<b>Order code</b>	KIV8000K	CL5.001V Ivory Silk Oil OL101S

# Ivory S504M\* - S502B\* \*high speed handpiece 4 sprays

**HIGH SPEED  
HANDPIECE**



	<b>1</b>	<b>1.1</b>	<b>1.2</b>	<b>1.3</b>	<b>1.4</b>	<b>1.5</b>	<b>1.6</b>	<b>2</b>
	<b>Complete rotor</b>	<b>Shim</b>	<b>Spring washer</b>	<b>O-ring kit 10 pcs</b>	<b>Bearing type (burs side)</b>	<b>Bearing type (push side)</b>	<b>Rotor without bearings</b>	<b>Push button</b>
<b>Order code</b>	TIV500.1	SA100F	SA300F	OR1K	CB11BC	CB22BC	NOT AVAILABLE	HKV800

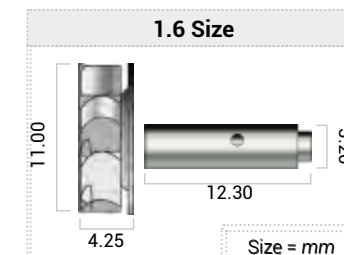
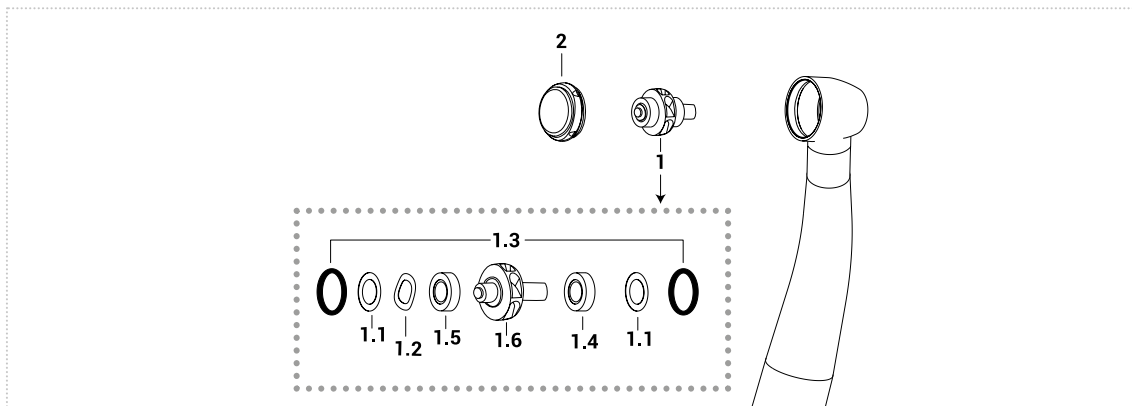
1.4 - 1.5								
	Bearing	Size d.i./d.e/h(mm)	Cage	Balls	Contact	Abec	Brand	Type
<b>Original Code</b>	T501.3	3,175X6,350X2,779	Torlon	Ceramic	Radial	7	Myonic	Smooth
<b>Order code</b>	CN01B	3,175X6,350X2,779	Torlon	Steel	Radial	7	Tecnomed Italia	Smooth
	CN11BC	3,175X6,350X2,779	Torlon	Ceramic	Radial	7	Tecnomed Italia	Smooth
	CN11T	3,175X6,350X2,779	Fenolic	Steel	Radial	7	Myonic	Smooth
	CB11BC	3,175X6,350X2,779	Fenolic	Ceramic	Radial	7	Myonic	Smooth
<b>Original Code</b>	T501.4	3,175X6,350X2,380	Torlon	Ceramic	Radial	7	Myonic	Smooth
<b>Order code</b>	CN02A	3,175X6,350X2,380	Torlon	Steel	Radial	7	Tecnomed Italia	Smooth
	CN22BC	3,175X6,350X2,380	Torlon	Ceramic	Radial	7	Tecnomed Italia	Smooth
	CN22MC	3,175X6,350X2,380	Fenolic	Steel	Radial	7	Myonic	Smooth
	CB22BC	3,175X6,350X2,380	Fenolic	Ceramic	Radial	7	Myonic	Smooth

RELATED PRODUCTS		
<b>Push button key for 4 slots</b>	<b>Adapter for spindles</b>	<b>Lubrication</b>
<b>Order code</b>	KIV8000K	CL5.001V Ivory Silk Oil OL101S



# Ivory S504M\* - S502B\* \*high speed handpiece 3 sprays

**HIGH SPEED  
HANDPIECE**



	1	1.1	1.2	1.3	1.4	1.5	1.6	2
	Complete rotor	Shim	Spring washer	O-ring kit 10 pcs	Bearing type (burs side)	Bearing type (push side)	Rotor without bearings	Push button
Order code	TIV500.1	SA100F	SA300F	OR1K	CB11BC	CB22BC	NOT AVAILABLE	HKV800

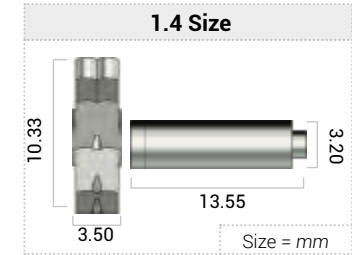
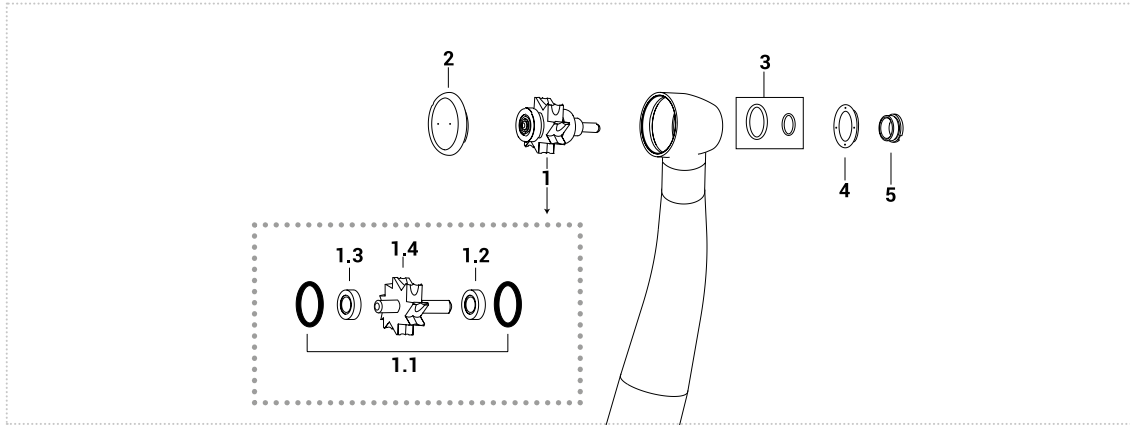
* Coupler type	
K	Kavo coupler
B	BienAir coupler
N	NSK coupler
S	Sirona coupler

1.4 - 1.5								
	Bearing	Size d.i/d.e/h(mm)	Cage	Balls	Contact	Abec	Brand	Type
Original Code	T501.3	3,175X6,350X2,779	Torlon	Ceramic	Radial	7	Myonic	Smooth
Order code	CN01B	3,175X6,350X2,779	Torlon	Steel	Radial	7	Tecnomed Italia	Smooth
	CN11BC	3,175X6,350X2,779	Torlon	Ceramic	Radial	7	Tecnomed Italia	Smooth
	CN11T	3,175X6,350X2,779	Fenolic	Steel	Radial	7	Myonic	Smooth
	CB11BC	3,175X6,350X2,779	Fenolic	Ceramic	Radial	7	Myonic	Smooth
Original Code	T501.4	3,175X6,350X2,380	Torlon	Ceramic	Radial	7	Myonic	Smooth
Order code	CN02A	3,175X6,350X2,380	Torlon	Steel	Radial	7	Tecnomed Italia	Smooth
	CN22BC	3,175X6,350X2,380	Torlon	Ceramic	Radial	7	Tecnomed Italia	Smooth
	CN22MC	3,175X6,350X2,380	Fenolic	Steel	Radial	7	Myonic	Smooth
	CB22BC	3,175X6,350X2,380	Fenolic	Ceramic	Radial	7	Myonic	Smooth

RELATED PRODUCTS		
Push button key for 4 slots	Adapter for spindles	Lubrication
Order code	KIV8000K	CL5.001V Ivory Silk Oil OL101S

# Kavo® 3 spray standard head 630B/C-640B/C

**HIGH SPEED  
HANDPIECE**



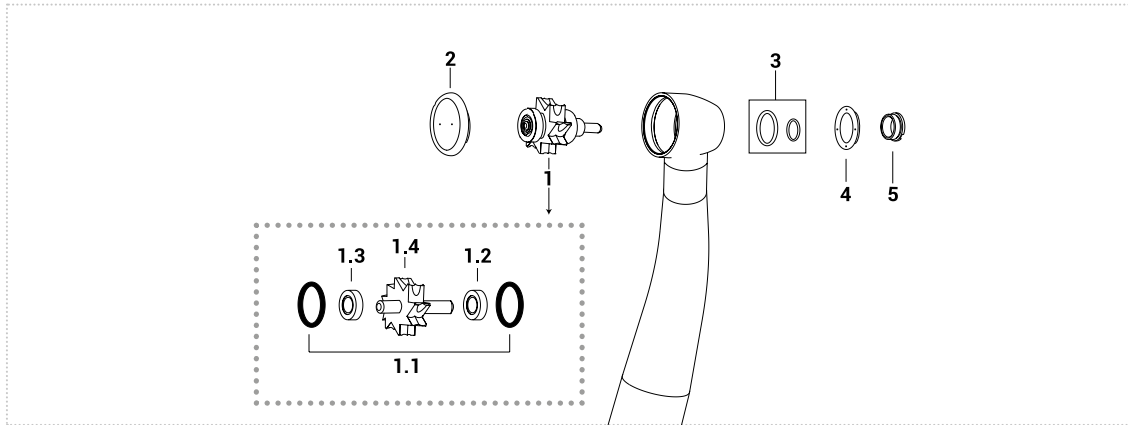
	<b>1</b>	<b>1.1</b>	<b>1.2</b>	<b>1.3</b>	<b>1.4</b>	<b>2</b>	<b>3</b>	<b>5</b>	<b>6</b>
	<b>Complete rotor</b>	<b>O-ring kit 10 pcs</b>	<b>Bearing type (burs side)</b>	<b>Bearing type (push side)</b>	<b>Rotor without bearings</b>	<b>Push button</b>	<b>Kit O-ring spray</b>	<b>Cover spray</b>	<b>Cover spray screw</b>
<b>Order code</b>	HKV850N	OR1K	CU6K	CU6K	SC850N	HKV676 for KaVo® 640	OR650F	OIV441K	OIV430K
	HKV851C		CU6CC	CU6CC					
	HKV850C		CUC99K	CUC99K					
	HKV850T		CUB6B	CUB6B					

1.2 - 1.3								
<b>Order code</b>	<b>Bearing</b>	<b>Size d.i/d.e/h(mm)</b>	<b>Cage</b>	<b>Balls</b>	<b>Contact</b>	<b>Abec</b>	<b>Brand</b>	<b>Type</b>
	CU6K	3,175X6,350X2,779	Torlon	Steel	Radial	7	Tecnomed Italia	Groove
	CU6CC	3,175X6,350X2,779	Torlon	Ceramic	Radial	7	Tecnomed Italia	Groove
	CUC99K	3,175X6,350X2,779	Fenolic	Ceramic	Radial	7	Myonic	Groove
	CUB6B	3,175X6,350X2,779	Fenolic	Steel	Radial	7	Myonic	Groove

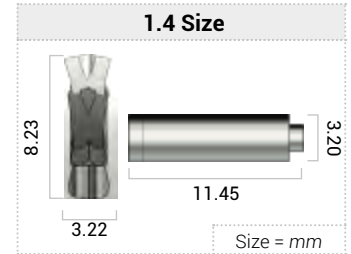
<b>RELATED PRODUCTS</b>					
<b>Spraycover Key</b>	<b>Push button key for 2 hole</b>	<b>Head expander</b>	<b>Adapter for spindles</b>	<b>Lubrication</b>	
<b>Order code</b>	KIV1022KT	KIV1011K	RT021M	CL5.001V	LIV1012 Ivory Silk Oil OL101S

# Kavo® 3 spray small head 642B/C-645B/C

**HIGH SPEED  
HANDPIECE**



**VIDEO TUTORIAL**



	1	1.1	1.2	1.3	1.4	2	3	4	5
	Complete rotor	O-ring kit 10 pcs	Bearing type (burs side)	Bearing type (push side)	Rotor without bearings	Push button	Kit O-ring spray	Cover spray	Cover spray screw
Order code	HKV850P	OR1K	CU6K	CU6K	SC850P	HKV680 for 642	OR650F	OUT OF PRODUCTION	OUT OF PRODUCTION
	HKV852P		CU6CC	CU6CC		NOT AVAILABLE for 645			
	HKV62CP		CUC99K	CUC99K					
	HKV62TK		CUB6B	CUB6B					

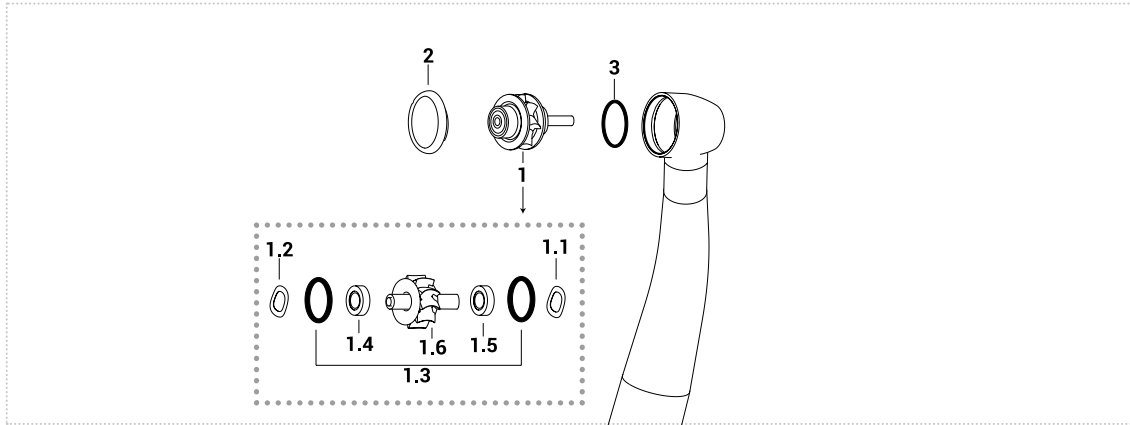
1.2 - 1.3								
Order code	Bearing	Size d.i./d.e/h(mm)	Cage	Balls	Contact	Abec	Brand	Type
	CU6K	3,175X6,350X2,779	Torlon	Steel	Radial	7	Tecnomed Italia	Groove
	CU6CC	3,175X6,350X2,779	Torlon	Ceramic	Radial	7	Tecnomed Italia	Groove
	CUC99K	3,175X6,350X2,779	Fenolic	Ceramic	Radial	7	Myonic	Groove
	CUB6B	3,175X6,350X2,779	Fenolic	Steel	Radial	7	Myonic	Groove

## RELATED PRODUCTS

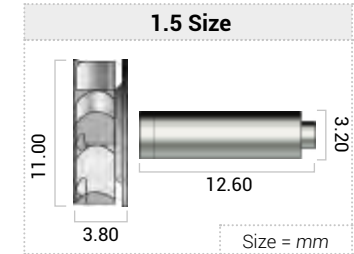
Order code	KIV1022KT	KIV1011K	RT022M	CL5.001V	LIV1012	Ivory Silk Oil OL101S
	Spraycover Key	Push button key for 2 hole	Head expander	Adapter for spindles	Lubrication	

# Kavo® Expert Torque E680L

**HIGH SPEED  
HANDPIECE**



**VIDEO TUTORIAL**



	<b>1</b>	<b>1.1</b>	<b>1.2</b>	<b>1.3</b>	<b>1.4</b>	<b>1.5</b>	<b>1.6</b>	<b>2</b>	<b>3</b>
	<b>Complete rotor</b>	<b>Spring washer</b>	<b>Spring washer (push side)</b>	<b>O-ring Kit 10 pcs</b>	<b>Bearing type (burs side)</b>	<b>Bearing type (push side)</b>	<b>Rotor without bearings</b>	<b>Push button</b>	<b>O-ring spray</b>
<b>Order code</b>	HKV680L	SA300F	SA400K	OR1K	CN01B	CU60SK	SC680K	PIV680L	NOT AVAILABLE
	HKV680LC				CB11BC	CU60CC			

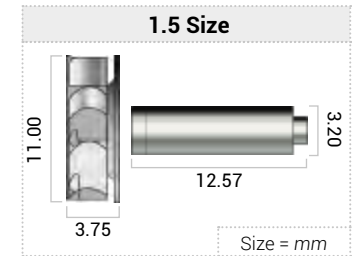
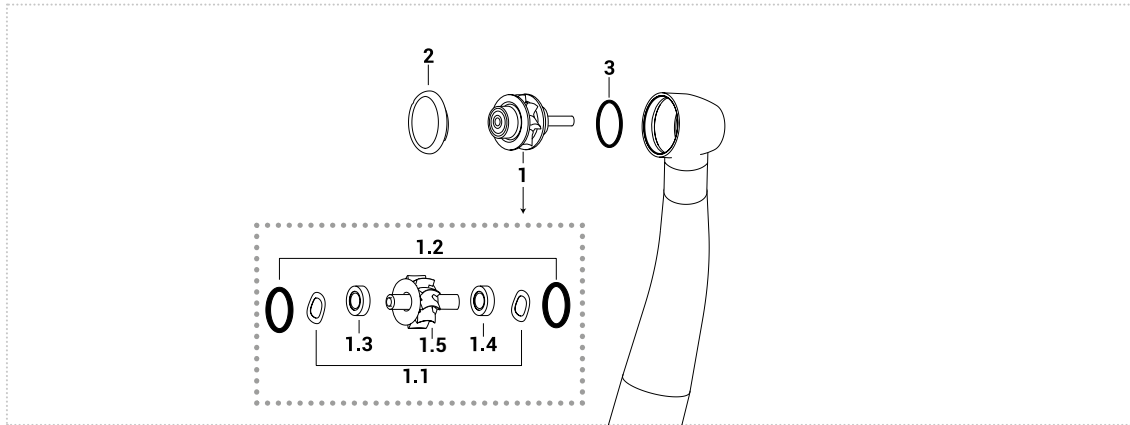
1.3 - 1.4								
<b>Order code</b>	<b>Bearing</b>	<b>Size d.i/d.e/h(mm)</b>	<b>Cage</b>	<b>Balls</b>	<b>Contact</b>	<b>Abec</b>	<b>Brand</b>	<b>Type</b>
	CN01B	3,175X6,350X2,779	Torlon	Steel	Radial	7	Tecnomed Italia	Smooth
	CU60SK	3,175X6,350X2,380	Torlon	Steel	Radial	7	Tecnomed Italia	Groove
	CB11BC	3,175X6,350X2,779	Fenolic	Ceramic	Radial	7	Myonic	Smooth
	CU60CC	3,175X6,350X2,380	Fenolic	Ceramic	Radial	7	Myonic	Groove









**RELATED PRODUCTS**

<b>Push button key for 4 slots</b>	<b>Adapter for spindles</b>	<b>Lubrication</b>	
<b>Order code</b>	KIV8000K	CL5.001V	LIV1012 Ivory Silk Oil OL101S

# Kavo® Master Torque M9000/L

**HIGH SPEED  
HANDPIECE**



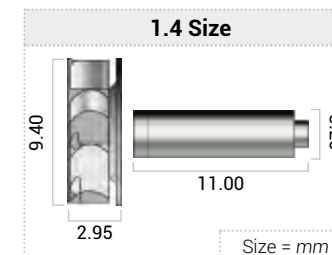
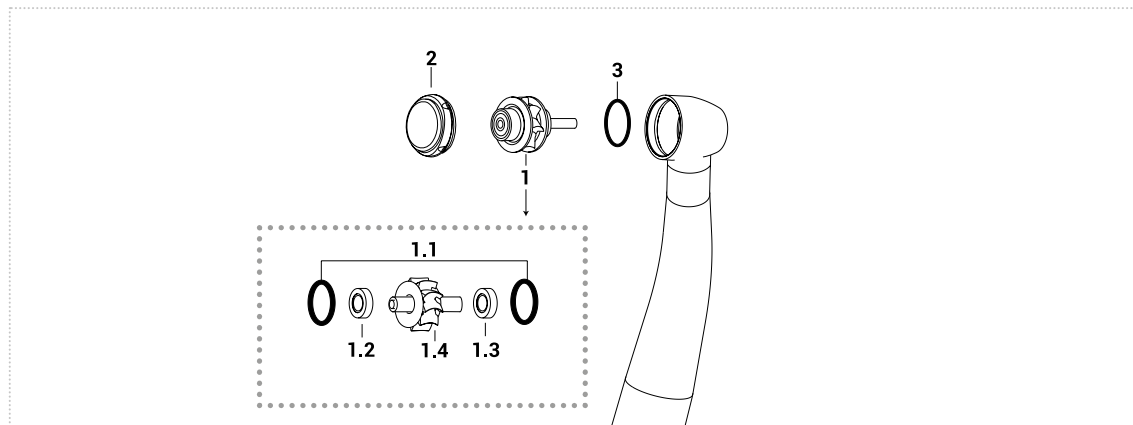
								
	1	1.1	1.2	1.3	1.4	1.5	2	3
	Complete rotor	Spring washer	O-ring kit 10 pcs	Bearing type (burs side)	Bearing type (push side)	Rotor without bearings	Push button	O-ring spray
Order code	HKV9000	SA300F	OR1K	CN01B	CN01B	SC9000	NOT AVAILABLE	NOT AVAILABLE
	HKC9000CH			CN11BC	CN11BC			
	HKV9000T			CN11T	CN11T			
	HKC9000			CB11BC	CB11BC			

1.3 - 1.4								
Order code	Bearing	Size d.i./d.e/h(mm)	Cage	Balls	Contact	Abec	Brand	Type
	CN01B	3,175X6,350X2,779	Torlon	Steel	Radial	7	Tecnomed Italia	Smooth
	CN11BC	3,175X6,350X2,779	Torlon	Ceramic	Radial	7	Tecnomed Italia	Smooth
	CN11T	3,175X6,350X2,779	Fenolic	Steel	Radial	7	Myonic	Smooth
	CB11BC	3,175X6,350X2,779	Fenolic	Ceramic	Radial	7	Myonic	Smooth

RELATED PRODUCTS			
			
<b>Push button key for 4 slots</b>	<b>Adapter for spindles</b>	<b>Lubrication</b>	
Order code KIV8000K	CL5.001V	LIV1012	Ivory Silk Oil OL101S

# Kavo® Master Torque Mini Lux M8700L

**HIGH SPEED  
HANDPIECE**



	<b>1</b>	<b>1.1</b>	<b>1.2</b>	<b>1.3</b>	<b>1.4</b>	<b>2</b>	<b>3</b>
	<b>Complete rotor</b>	<b>O-ring kit 10 pcs</b>	<b>Bearing type (burs side)</b>	<b>Bearing type (push side)</b>	<b>Rotor without bearings</b>	<b>Push button</b>	<b>O-ring spray</b>
<b>Order code</b>	HKV870KC	OR1K	CU77C	CN11BC	SC870K	HKV870	NOT AVAILABLE

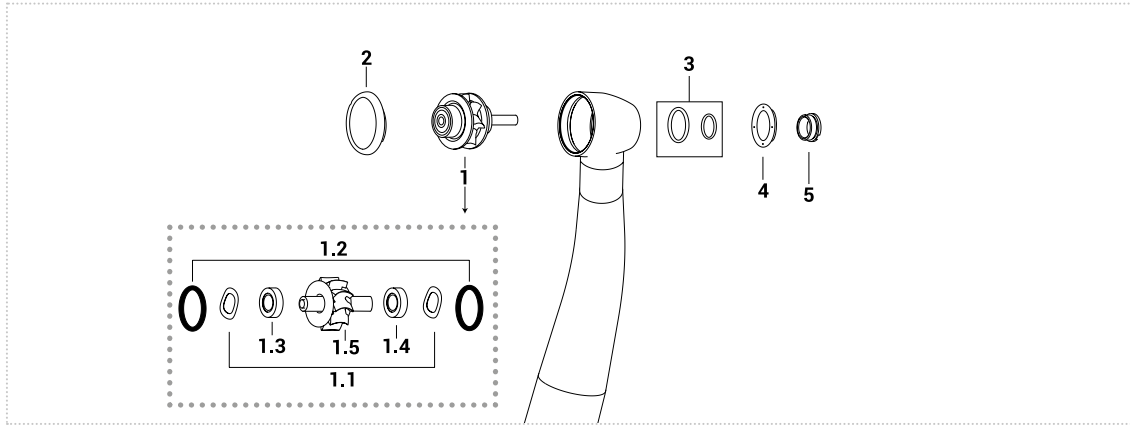


		1.2 - 1.3						
	Bearing	Size d.i./d.e/h(mm)	Cage	Balls	Contact	Abec	Brand	Type
<b>Order code</b>	CU77C	3,175X6,350X2,779	Torlon	Ceramic	Radial	7	Tecnomed Italia	Smooth Flanged
	CN11BC	3,175X6,350X2,779	Torlon	Ceramic	Radial	7	Tecnomed Italia	Smooth

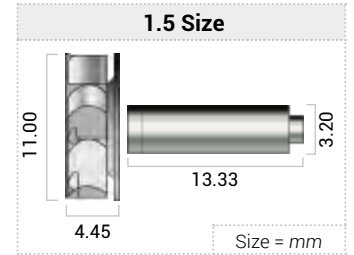
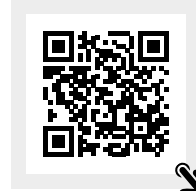
RELATED PRODUCTS			
<b>Push button key for 4 slots</b>	<b>Adapter for spindles</b>	<b>Lubrication</b>	
<b>Order code</b>	KIV8000K	CL5.001V	LIV1012 Ivory Silk Oil OL101S

# Kavo® Super Torque 655B/C - 660B/C

**HIGH SPEED  
HANDPIECE**



**VIDEO TUTORIAL**



	<b>1</b>	<b>1.1</b>	<b>1.2</b>	<b>1.3</b>	<b>1.4</b>	<b>1.5</b>	<b>2</b>	<b>3</b>	<b>4</b>	<b>5</b>
	<b>Complete rotor</b>	<b>Spring washer</b>	<b>O-ring kit 10 pcs</b>	<b>Bearing type (burs side)</b>	<b>Bearing type (push side)</b>	<b>Rotor without bearings</b>	<b>Push button</b>	<b>Kit O-ring spray</b>	<b>Cover spray</b>	<b>Cover spray screw</b>
<b>Order code</b>	HKV655K	SA300F	OR1K	CN01B	CN01B	SC655K	HKV655	OR660F	OIV531K	OIV555K
	HKV655H			CN11BC	CN11BC					
	HKT655T			CN11T	CN11T					
	HKC655KC			CB11BC	CB11BC					

1.3 - 1.4								
<b>Order code</b>	<b>Bearing</b>	<b>Size d.i./d.e/h(mm)</b>	<b>Cage</b>	<b>Balls</b>	<b>Contact</b>	<b>Abec</b>	<b>Brand</b>	<b>Type</b>
	CN01B	3,175X6,350X2,779	Torlon	Steel	Radial	7	Tecnomed Italia	Smooth
	CN11BC	3,175X6,350X2,779	Torlon	Ceramic	Radial	7	Tecnomed Italia	Smooth
	CN11T	3,175X6,350X2,779	Fenolic	Steel	Radial	7	Myonic	Smooth
	CB11BC	3,175X6,350X2,779	Fenolic	Ceramic	Radial	7	Myonic	Smooth

## RELATED PRODUCTS

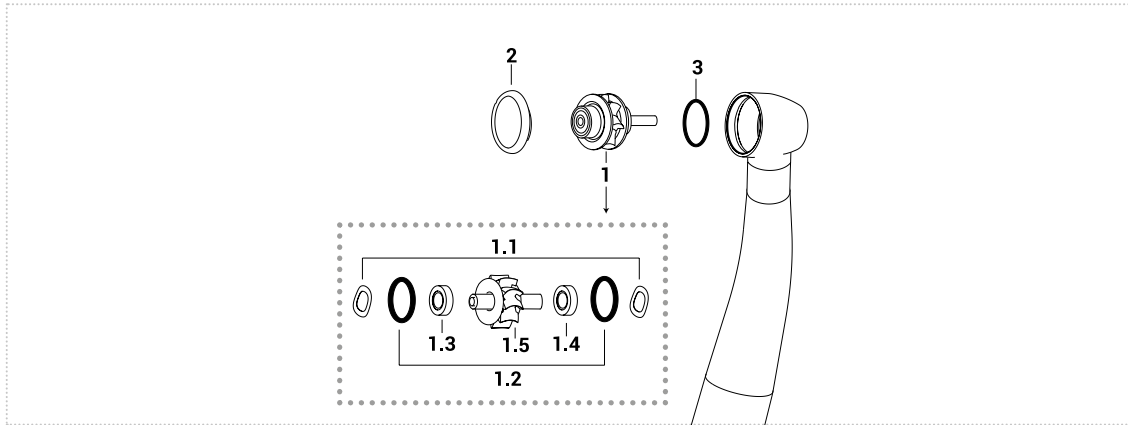
<b>Push button key for 4 slots</b>	<b>Spraycover Key</b>	<b>Head expander</b>	<b>Adapter for spindles</b>	<b>Lubrication</b>
<b>Order code</b>	KIV8000K	KIV1022KT	RT033M	CL5.001V LIV1012 Ivory Silk Oil OL101S



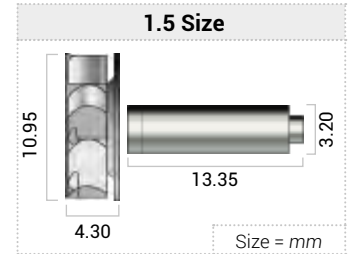


# Kavo® Smart Torque S609L/S609C - Smart Torque LUX 619L/619C - Faro® MT02

**HIGH SPEED  
HANDPIECE**



**VIDEO TUTORIAL**



	<b>1</b>	<b>1.1</b>	<b>1.2</b>	<b>1.3</b>	<b>1.4</b>	<b>1.5</b>	<b>2</b>	<b>3</b>
	<b>Complete rotor</b>	<b>Spring washer</b>	<b>O-ring kit 10 pcs</b>	<b>Bearing type (burs side)</b>	<b>Bearing type (push side)</b>	<b>Rotor without bearings</b>	<b>Push button</b>	<b>O-ring spray big</b>
<b>Order code</b>	HKV619K	SA300F	OR1K	CN01B	CN01B	SC619K	HKV655	OIV613276
	HKV619KC			CN11BC	CN11BC			

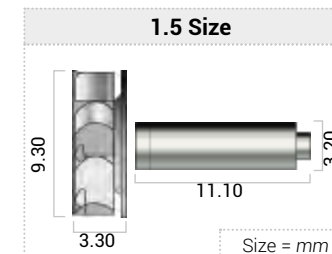
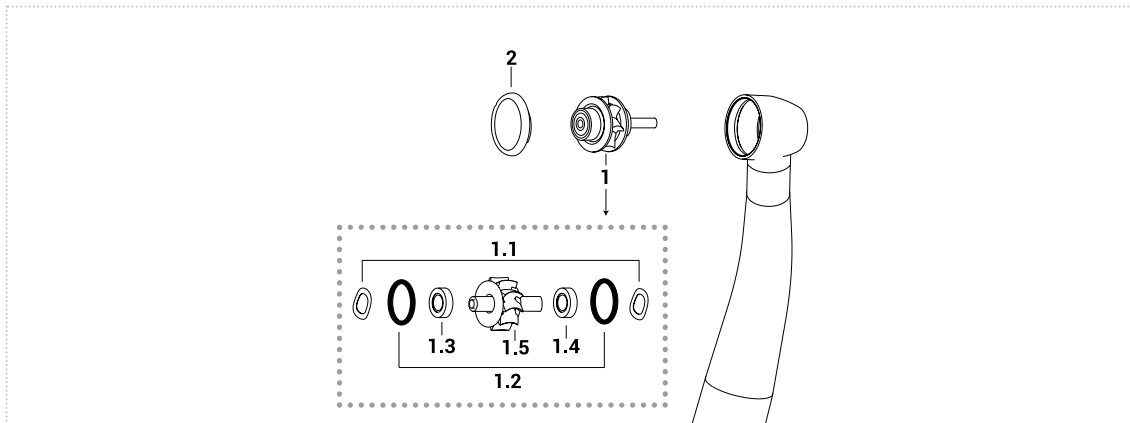
1.3 - 1.4								
<b>Order code</b>	<b>Bearing</b>	<b>Size d.i./d.e/h(mm)</b>	<b>Cage</b>	<b>Balls</b>	<b>Contact</b>	<b>Abec</b>	<b>Brand</b>	<b>Type</b>
	CN01B	3,175X6,350X2,779	Torlon	Steel	Radial	7	Tecnomed Italia	Smooth
	CN11BC	3,175X6,350X2,779	Torlon	Ceramic	Radial	7	Tecnomed Italia	Smooth

## RELATED PRODUCTS

<b>Push button key for 4 slots</b>	<b>Adapter for spindles</b>	<b>Lubrication</b>	
<b>Order code</b>	KIV8000K	CL5.001V	LIV1012 Ivory Silk Oil OL101S

# Kavo® Smart Torque Mini S615L - Smart Torque Mini S605C

**HIGH SPEED  
HANDPIECE**

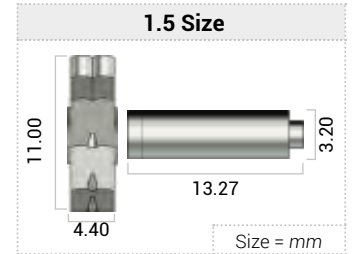
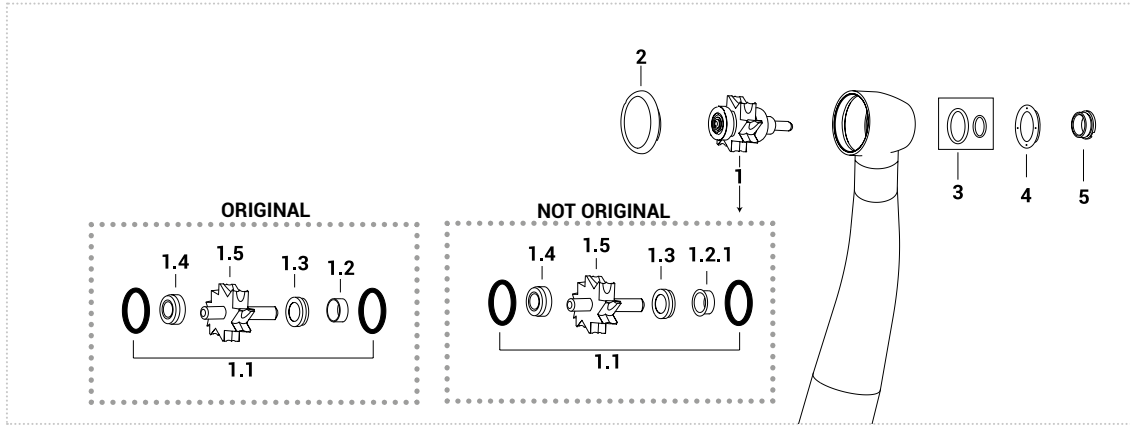


	<b>1</b>	<b>1.1</b>	<b>1.2</b>	<b>1.3</b>	<b>1.4</b>	<b>1.5</b>	<b>2</b>
	<b>Complete rotor</b>	<b>Spring washer</b>	<b>O-ring kit 10 pcs</b>	<b>Bearing type (burs side)</b>	<b>Bearing type (push side)</b>	<b>Rotor without bearings</b>	<b>Push button</b>
<b>Order code</b>	HKV615K	SA300F	OR1K	CU60SK	CU60SK	SC615K	PIV6515L
	HKV615KC			CU60CC	CU60CC		



1.3 - 1.4								
	Bearing	Size d.i/d.e/h(mm)	Cage	Balls	Contact	Abec	Brand	Type
<b>Order code</b>	CU60SK	3,175X6,350X2,380/2,779	Torlon	Steel	Radial	7	Tecnomed Italia	Grove
	CU60CC	3,175X6,350X2,380/2,779	Torlon	Ceramic	Radial	7	Tecnomed Italia	Grove

RELATED PRODUCTS			
<b>Push button key for 4 slots</b>	<b>Adapter for spindles</b>	<b>Lubrication</b>	
<b>Order code</b>	KIV677K	CL5.001V	LIV1012 Ivory Silk Oil OL101S



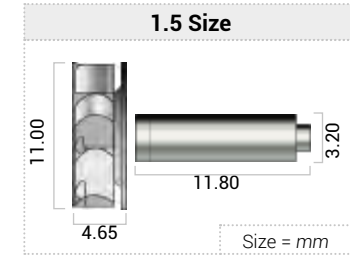
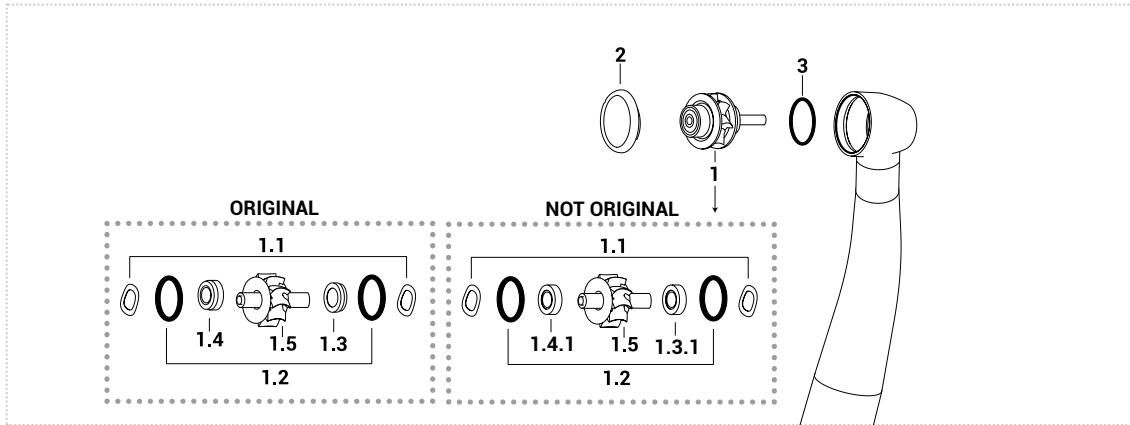
	<b>1</b>	<b>1.1</b>	<b>1.2</b>	<b>1.2.1</b>	<b>1.3</b>	<b>1.4</b>	<b>1.5</b>	<b>2</b>	<b>3</b>	<b>4</b>	<b>5</b>
	<b>Complete rotor</b>	<b>O-ring kit 10 pcs</b>	<b>Slinger original rotor (burs side)</b>	<b>Slinger not original rotor (burs side)</b>	<b>Bearing type (burs side)</b>	<b>Bearing type (push side)</b>	<b>Rotor without bearings</b>	<b>Push button</b>	<b>Kit O-ring spray</b>	<b>Cover spray</b>	<b>Cover spray screw</b>
<b>Order code</b>	HKV865	OR1K	HKV214	11.630	CU6K	CU6K	SC865K	HKV674	OR660F	OIV531K	OIV530K
	HKV865CH				CU6CC	CU6CC					
	HKV865B				CUB6B	CUB6B					
	HKV8650C				CUC99K	CUC99K					

1.3 - 1.4								
<b>Order code</b>	<b>Bearing</b>	<b>Size d.i./d.e/h(mm)</b>	<b>Cage</b>	<b>Balls</b>	<b>Contact</b>	<b>Abec</b>	<b>Brand</b>	<b>Type</b>
	CU6K	3,175X6,350X2,779	Torlon	Steel	Radial	7	Tecnomed Italia	Groove
	CU6CC	3,175X6,350X2,779	Torlon	Ceramic	Radial	7	Tecnomed Italia	Groove
	CUC99K	3,175X6,350X2,779	Fenolic	Ceramic	Radial	7	Myonic	Groove
	CUB6B	3,175X6,350X2,779	Fenolic	Steel	Radial	7	Myonic	Groove

RELATED PRODUCTS				
<b>Push button key for 4 slots</b>	<b>Spraycover Key</b>	<b>Adapter for spindles</b>	<b>Lubrication</b>	
<b>Order code</b>	KIV8000K	KIV1022KT	CL5.001V	LIV1012 Ivory Silk Oil OL101S

# Kavo® Gentle Force LUX 7000B/C

**HIGH SPEED  
HANDPIECE**



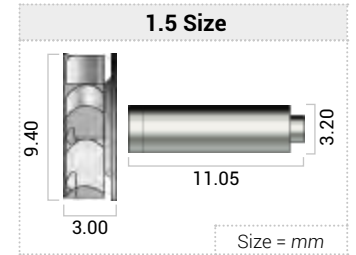
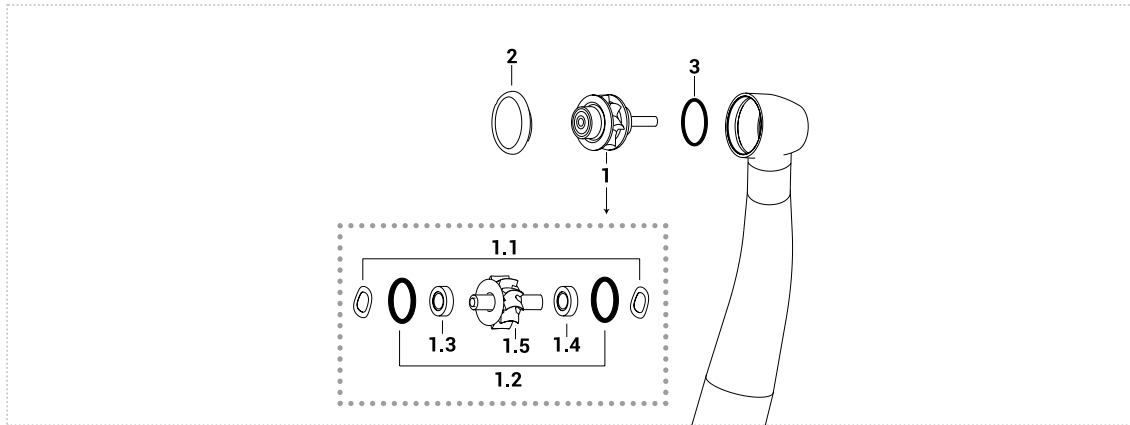
	<b>1</b>	<b>1.1</b>	<b>1.2</b>	<b>1.3</b>	<b>1.4</b>	<b>1.3.1</b>	<b>1.4.1</b>	<b>1.5</b>	<b>2</b>	<b>3</b>
	<b>Complete rotor</b>	<b>Spring washer</b>	<b>O-ring kit 10 pcs</b>	<b>Bearing type (burs side)</b>	<b>Bearing type (push side)</b>	<b>Bearing type (burs side)</b>	<b>Bearing type (push side)</b>	<b>Rotor without bearings</b>	<b>Push button</b>	<b>O-ring spray big</b>
<b>Order code</b>	HKC700N	SA300F	OR1K	CU700K	CU700K	CN02A	CN02A	SC700K	HKV655	OIV613276
	HKT7001H					CN22BC	CN22BC			
	HKT700T					CN22MC	CN22MC			
	HKC7000					CB22BC	CB22BC			

1.3 - 1.4 - 1.3.1 - 1.4.1								
Order code	Bearing	Size d.i/d.e/h(mm)	Cage	Balls	Contact	Abec	Brand	Type
	CU700K	3,175X6,350X2,380/2,779	Torlon	Steel	Radial	7	Tecnomed Italia	Groove
	CN02A	3,175X6,350X2,380	Torlon	Steel	Radial	7	Tecnomed Italia	Smooth
	CN22BC	3,175X6,350X2,380	Torlon	Ceramic	Radial	7	Tecnomed Italia	Smooth
	CN22MC	3,175X6,350X2,380	Fenolic	Steel	Radial	7	Myonic	Smooth
	CB22BC	3,175X6,350X2,380	Fenolic	Ceramic	Radial	7	Myonic	Smooth

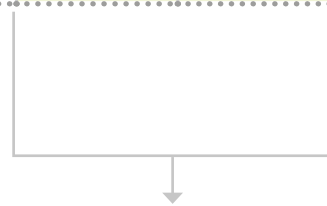
RELATED PRODUCTS				
<b>Push button key for 4 slots</b>	<b>Head expander</b>	<b>Adapter for spindles</b>	<b>Lubrication</b>	
<b>Order code</b>	KIV8000K	RT024	CL5.001V	LIV1012 Ivory Silk Oil OL101S

# Kavo® Gentle Mini LUX 5000B

**HIGH SPEED  
HANDPIECE**



	<b>1</b>	<b>1.1</b>	<b>1.2</b>	<b>1.3</b>	<b>1.4</b>	<b>1.5</b>	<b>2</b>	<b>3</b>
	<b>Complete rotor</b>	<b>Spring washer</b>	<b>O-ring kit 10 pcs</b>	<b>Bearing type (burs side)</b>	<b>Bearing type (push side)</b>	<b>Rotor without bearings</b>	<b>Push button</b>	<b>O-ring spray big</b>
<b>Order code</b>	HKV5000KC	SA300F	OR1K	CU60CC	CU60CC	SC5000	PIV6775L	OIV613276



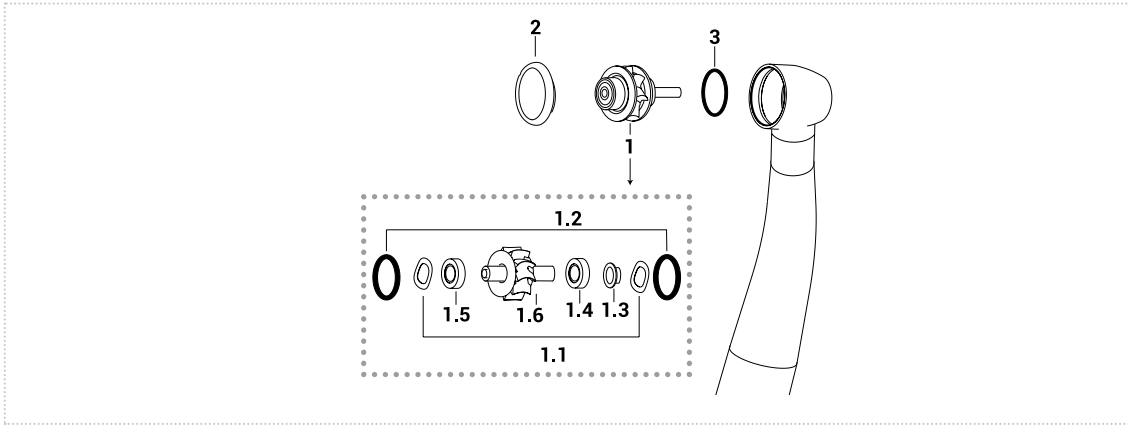
1.3 - 1.4								
	<b>Bearing</b>	<b>Size d.i/d.e/h(mm)</b>	<b>Cage</b>	<b>Balls</b>	<b>Contact</b>	<b>Abec</b>	<b>Brand</b>	<b>Type</b>
<b>Order code</b>	CU60CC	3,175X6,350X2,380/2.7793	Torlon	Ceramic	Radial	7	Tecnomed Italia	Grove

## RELATED PRODUCTS

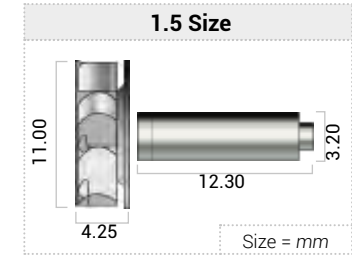
<b>Push button key for 4 slots</b>	<b>Adapter for spindles</b>	<b>Lubrication</b>	
<b>Order code</b>	KIV677K	CL5.001V	LIV1012 Ivory Silk Oil OL101S

# Kavo® Gentle Silence LUX 8000B/C

**HIGH SPEED  
HANDPIECE**



**VIDEO TUTORIAL**



	<b>1</b>	<b>1.1</b>	<b>1.2</b>	<b>1.2</b>	<b>1.3</b>	<b>1.4</b>	<b>1.5</b>	<b>2</b>	<b>3</b>
	<b>Complete rotor</b>	<b>Spring washer</b>	<b>O-ring kit 10 pcs</b>	<b>Slinger</b>	<b>Bearing type (burs side)</b>	<b>Bearing type (push side)</b>	<b>Rotor without bearings</b>	<b>Push button</b>	<b>O-ring spray big</b>
<b>Order code</b>	HKN8000	SA300F	OR1K	NOT AVAILABLE	CN01B	CN02A	SC8000	HKV800	OIV613276
	HKN8002				CN11BC	CN22BC			
	HKN8001				CN11T	CN22MC			
	HKC8000				CB11BC	CB22BC			

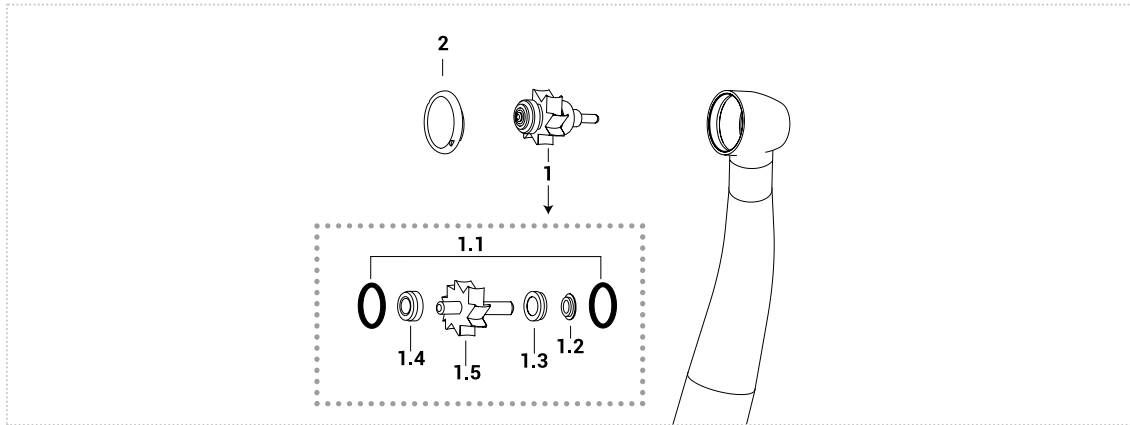
1.3 - 1.4								
Order code	Bearing	Size d.i/d.e/h(mm)	Cage	Balls	Contact	Abec	Brand	Type
	CN01B	3,175X6,350X2,779	Torlon	Steel	Radial	7	Tecnomed Italia	Smooth
	CN11BC	3,175X6,350X2,779	Torlon	Ceramic	Radial	7	Tecnomed Italia	Smooth
	CN11T	3,175X6,350X2,779	Fenolic	Steel	Radial	7	Myonic	Smooth
	CB11BC	3,175X6,350X2,779	Fenolic	Ceramic	Radial	7	Myonic	Smooth
	CN02A	3,175X6,350X2,380	Torlon	Steel	Radial	7	Tecnomed Italia	Smooth
	CN22BC	3,175X6,350X2,380	Torlon	Ceramic	Radial	7	Tecnomed Italia	Smooth
	CN22MC	3,175X6,350X2,380	Fenolic	Steel	Radial	7	Myonic	Smooth
	CB22BC	3,175X6,350X2,380	Fenolic	Ceramic	Radial	7	Myonic	Smooth

## RELATED PRODUCTS

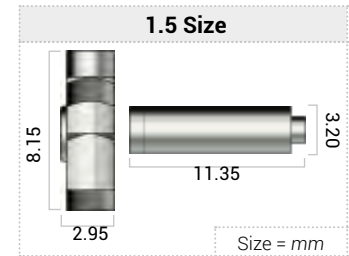
<b>Push button key for 4 slots</b>	<b>Head expander</b>	<b>Adapter for spindles</b>	<b>Lubrication</b>	
<b>Order code</b>	KIV8000K	RT024	CL5.001V	LIV1012 Ivory Silk Oil OL101S

# Kavo® Bella-Torque Mini 637B/C

**HIGH SPEED  
HANDPIECE**



**VIDEO TUTORIAL**

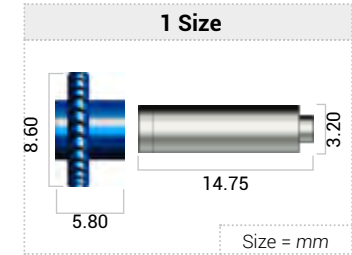
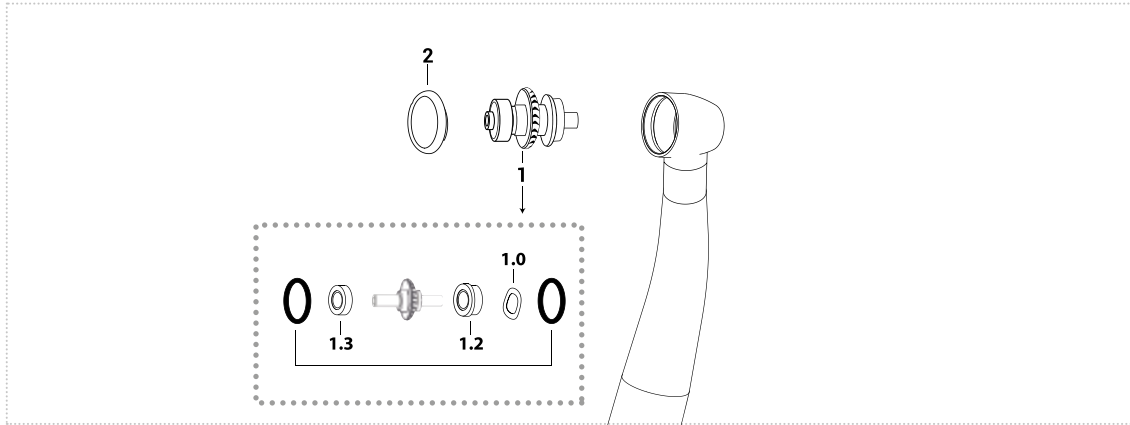


	<b>1</b>	<b>1.1</b>	<b>1.2</b>	<b>1.3</b>	<b>1.4</b>	<b>1.5</b>	<b>2</b>
	<b>Complete rotor</b>	<b>O-ring kit 10 pcs</b>	<b>Slinger</b>	<b>Bearing type (burs side)</b>	<b>Bearing type (push side)</b>	<b>Rotor without bearings</b>	<b>Push button</b>
<b>Order code</b>	HKV637K	OR1K	NOT AVAILABLE	CU60SK	CU60SK	SC637K	HKV688
	HKV63N7K			CU60CC	CU60CC		

1.3 - 1.4								
<b>Order code</b>	<b>Bearing</b>	<b>Size d.i/d.e/h(mm)</b>	<b>Cage</b>	<b>Balls</b>	<b>Contact</b>	<b>Abec</b>	<b>Brand</b>	<b>Type</b>
	CU60SK	3,175X6,350X2,380/27793	Torlon	Steel	Radial	7	Tecnomed Italia	Groove
	CU60CC	3,175X6,350X2,380/27793	Torlon	Ceramic	Radial	7	Tecnomed Italia	Groove

## RELATED PRODUCTS

<b>Push button key for 4 slots</b>	<b>Adapter for spindles</b>	<b>Lubrication</b>	
<b>Order code</b>	KIV637K	CL5.001V	LIV1012 Ivory Silk Oil OL101S



	<b>1</b>	<b>1.0</b>	<b>1.1</b>	<b>1.2</b>	<b>1.3</b>	<b>2</b>
	<b>Complete rotor</b>	<b>Spring washer</b>	<b>O-ring</b>	<b>Bearing type (burs side)</b>	<b>Bearing type (push side)</b>	<b>Push button</b>
<b>Order code</b>	MDQ123	SA300F	OR5MW	CU7C	CN02A	HKVQ56

1.2 - 1.3								
	Bearing	Size d.i/d.e/h(mm)	Cage	Balls	Contact	Abec	Brand	Type
<b>Order code</b>	CU7C	3,175X6,350X2,779	Torlon	Steel	Radial	7	Tecnomed Italia	Flanged
	CN02A	3,175X6,350X2,380	Torlon	Steel	Radial	7	Tecnomed Italia	Smooth

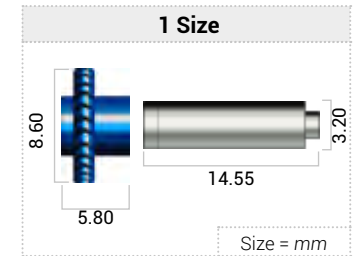
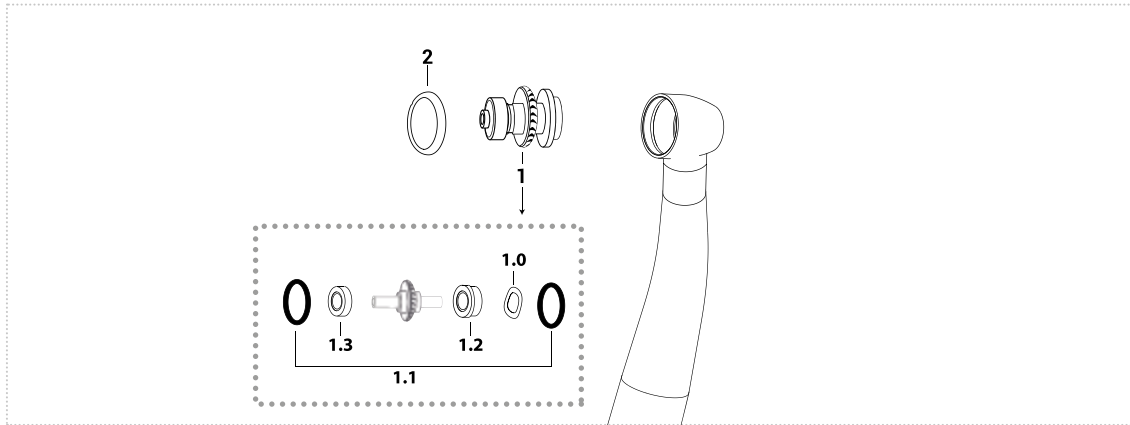
**RELATED PRODUCTS**

	<b>Push button key</b>	<b>Adapter for spindles</b>	<b>Lubrication</b>
<b>Order code</b>	KIV0025B	CL5.001V	Ivory Silk Oil OL101S



# Midwest® QuietAir F.G.

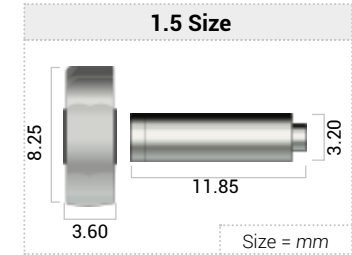
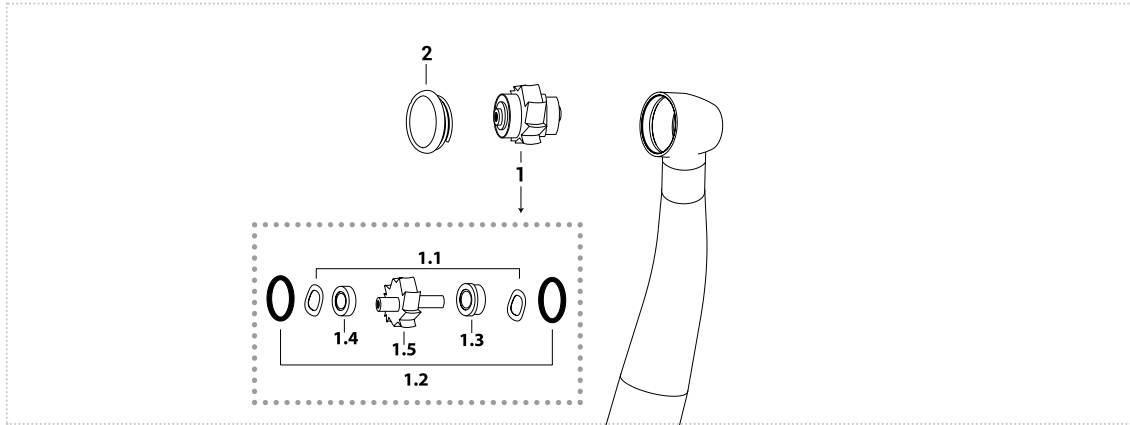
**HIGH SPEED  
HANDPIECE**



	<b>1</b>	<b>1.0</b>	<b>1.1</b>	<b>1.2</b>	<b>1.3</b>	<b>2</b>
	<b>Complete rotor</b>	<b>Spring washer</b>	<b>O-ring</b>	<b>Bearing type (burs side)</b>	<b>Bearing type (push side)</b>	<b>Cover</b>
<b>Order code</b>	MDQ124C	SA300F	OR5MW	CU7C	CN02A	NOT AVAILABLE

1.2 - 1.3								
	<b>Bearing</b>	<b>Size d.i./d.e/h(mm)</b>	<b>Cage</b>	<b>Balls</b>	<b>Contact</b>	<b>Abec</b>	<b>Brand</b>	<b>Type</b>
<b>Order code</b>	CU7C	3,175X6,350X2,779	Torlon	Steel	Radial	7	Tecnomed Italia	Flanged
	CN02A	3,175X6,350X2,380	Torlon	Steel	Radial	7	Tecnomed Italia	Smooth

<b>RELATED PRODUCTS</b>			
<b>Push button key</b>	<b>Adapter for spindles</b>	<b>Lubrication</b>	
<b>Order code</b>	KIV0025B	CL5.001V	Ivory Silk Oil OL101S



	<b>1</b>	<b>1.1</b>	<b>1.2</b>	<b>1.3</b>	<b>1.4</b>	<b>1.5</b>	<b>2</b>
	<b>Complete rotor</b>	<b>Spring washer</b>	<b>O-ring kit 10 pcs</b>	<b>Bearing type (burs side)</b>	<b>Bearing type (push side)</b>	<b>Rotor without bearings</b>	<b>Push button</b>
<b>Order code</b>	MDW101	SA300F	OR5MW	CU7C	CN02A	SC101	HKVM55

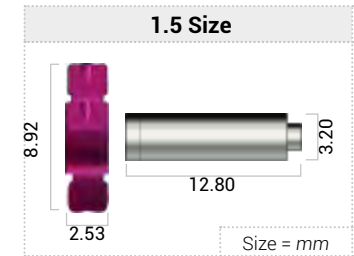
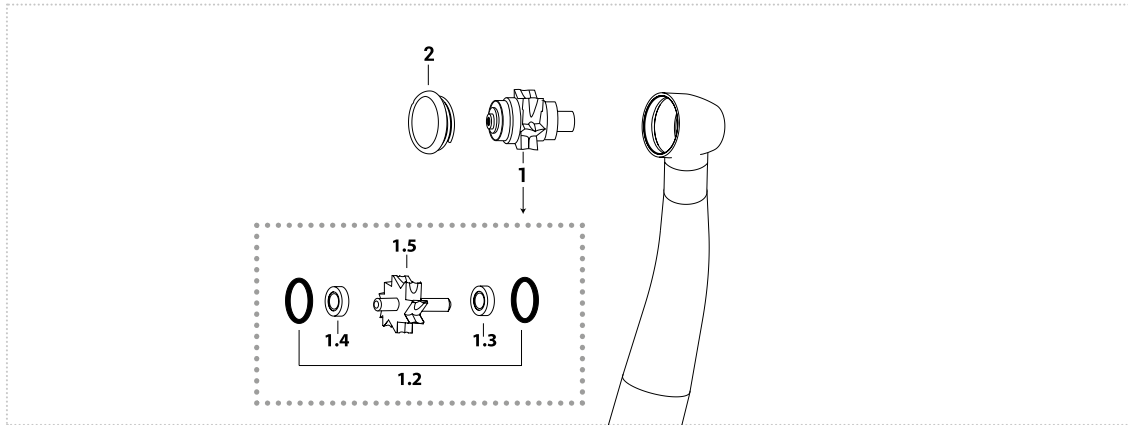
1.3 - 1.4								
	Bearing	Size d.i/d.e/h(mm)	Cage	Balls	Contact	Abec	Brand	Type
<b>Order code</b>	CU7C	3,175X6,350X2,779	Torlon	Steel	Radial	7	Tecnomed Italia	Flanged
	CN02A	3,175X6,350X2,380	Torlon	Steel	Radial	7	Tecnomed Italia	Smooth

**RELATED PRODUCTS**

	<b>Push button key</b>	<b>Adapter for spindles</b>	<b>Lubrication</b>
<b>Order code</b>	KIV0025B	CL5.001V	Ivory Silk Oil OL101S

# Midwest® Stylus 540/541

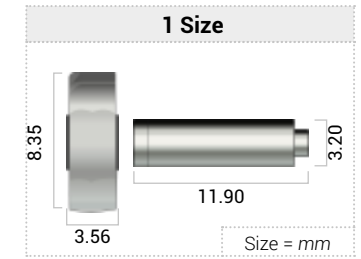
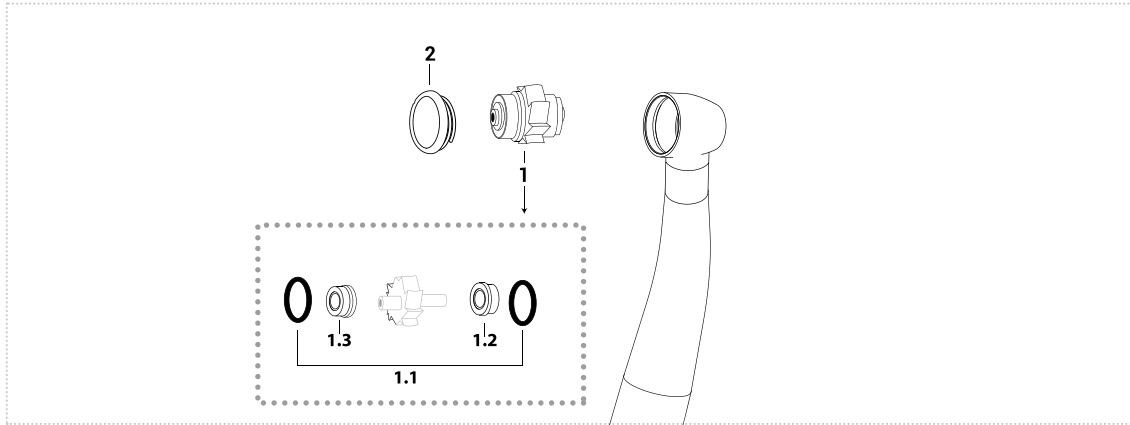
**HIGH SPEED  
HANDPIECE**



	<b>1</b>	<b>1.2</b>	<b>1.3</b>	<b>1.4</b>	<b>1.5</b>	<b>2</b>
	<b>Complete rotor</b>	<b>O-ring kit 10 pcs</b>	<b>Bearing type (burs side)</b>	<b>Bearing type (push side)</b>	<b>Rotor without bearings</b>	<b>Push button</b>
<b>Order code</b>	MDW122	OR7SM	CU36M	CU36M	SC122	HKMS54 for Midwest® Stylus HKMS54P for Midwest® Stylus Prodrive

1.3 - 1.4								
<b>Order code</b>	<b>Bearing</b>	<b>Size d.i/d.e/h(mm)</b>	<b>Cage</b>	<b>Balls</b>	<b>Contact</b>	<b>Abec</b>	<b>Brand</b>	<b>Type</b>
	CU36M	3,175X7,520X2,87	Fenolic	Ceramic	Radial	7	Tecnomed Italia	Groove

<b>RELATED PRODUCTS</b>	
<b>Adapter for spindles</b>	<b>Lubrication</b>
<b>Order code</b> CL5.001V	Ivory Silk Oil OL101S



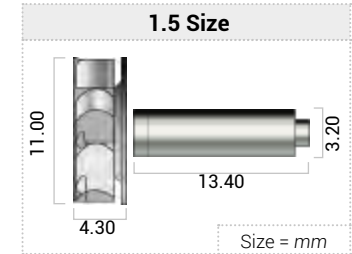
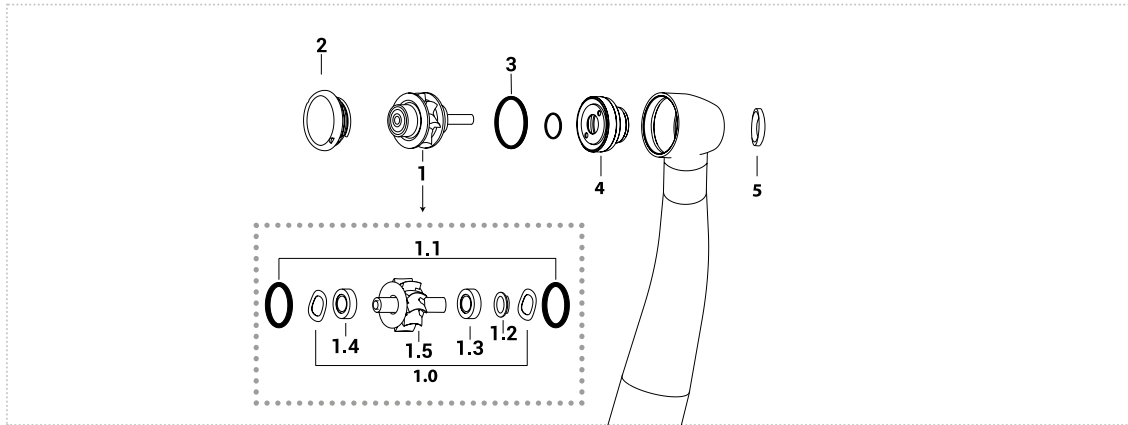
	<b>1</b>	<b>1.1</b>	<b>1.2</b>	<b>1.3</b>	<b>2</b>
	<b>Complete rotor</b>	<b>O-ring</b>	<b>Bearing type (burs side)</b>	<b>Bearing type (push side)</b>	<b>Push button</b>
<b>Order code</b>	MDX200	OR5MW	CU7C	CU7C	NOT AVAILABLE

1.2 - 1.3								
	Bearing	Size d.i/d.e/h(mm)	Cage	Balls	Contact	Abec	Brand	Type
<b>Order code</b>	CU7C	3,175X6,350X2,779	Torlon	Steel	Radial	7	Tecnomed Italia	Flanged

RELATED PRODUCTS	
<b>Adapter for spindles</b>	<b>Lubrication</b>
<b>Order code</b>	CL5.001V Ivory Silk Oil OL101S

# MK-dent® Prime Line 4 spray standard head (HC8021-HC9021)

**HIGH SPEED  
HANDPIECE**



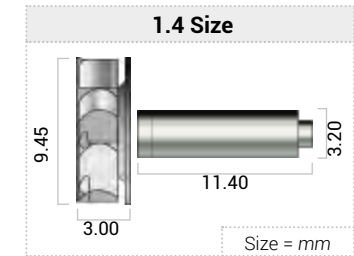
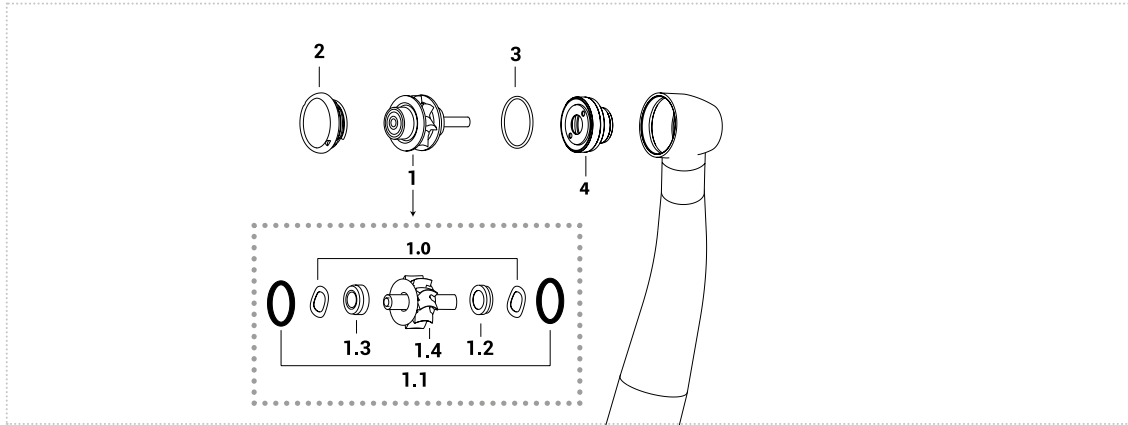
	<b>1</b>	<b>1.0</b>	<b>1.1</b>	<b>1.2</b>	<b>1.3</b>	<b>1.4</b>	<b>1.5</b>	<b>2</b>	<b>3</b>	<b>4</b>	<b>5</b>
	<b>Complete rotor</b>	<b>Spring washer</b>	<b>O-ring kit 10 pcs</b>	<b>Slinger</b>	<b>Bearing type (burs side)</b>	<b>Bearing type (push side)</b>	<b>Rotor without bearings</b>	<b>Push button</b>	<b>O-ring spray big</b>	<b>Spray cover</b>	<b>Spray cover screw</b>
<b>Order code</b>	TS241T	SA300F	OR1K	NOT AVAILABLE	CN01B	CN02A	SC241T	HKV800	OIV613276	NOT AVAILABLE	NOT AVAILABLE
	TC241T				CB11BC	CB22BC					

1.3 - 1.4								
<b>Order code</b>	<b>Bearing</b>	<b>Size d.i/d.e/h(mm)</b>	<b>Cage</b>	<b>Balls</b>	<b>Contact</b>	<b>Abec</b>	<b>Brand</b>	<b>Type</b>
	CN01B	3,175X6,350X2,779	Torlon	Steel	Radial	7	Tecnomed Italia	Smooth
	CB11BC	3,175X6,350X2,779	Fenolic	Ceramic	Radial	7	Myonic	Smooth

	<b>Push button key for 4 slots</b>	<b>Adapter for spindles</b>	<b>Lubrication</b>	
<b>Order code</b>	KIV8000K	CL5.001V	LIV1012	Ivory Silk Oil OL101S

# MK-dent® Prime Line 3 spray small head (HC8022 - HC9022)

**HIGH SPEED  
HANDPIECE**



	<b>1</b>	<b>1.0</b>	<b>1.1</b>	<b>1.2</b>	<b>1.3</b>	<b>1.4</b>	<b>2</b>	<b>3</b>	<b>4</b>
	<b>Complete rotor</b>	<b>Spring washer</b>	<b>O-ring kit 10 pcs</b>	<b>Bearing type (burs side)</b>	<b>Bearing type (push side)</b>	<b>Rotor without bearings</b>	<b>Push button</b>	<b>O-ring spray</b>	<b>Spray cover</b>
<b>Order code</b>	TS242T	SA300F	OR1K	CU60SK	CU60SK	SC242T	NOT AVAILABLE	NOT AVAILABLE	NOT AVAILABLE
	TC242T			CU60CC	CU60CC				

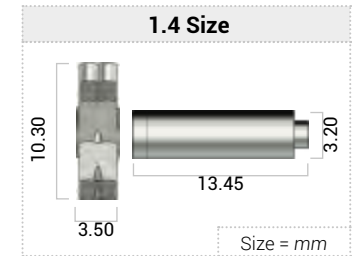
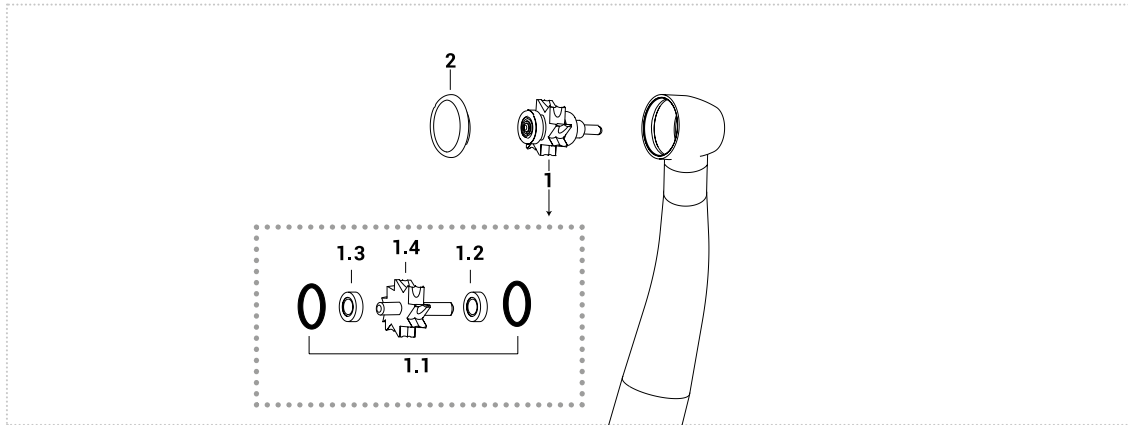
1.2 - 1.3								
	<b>Bearing</b>	<b>Size d.i/d.e/h(mm)</b>	<b>Cage</b>	<b>Balls</b>	<b>Contact</b>	<b>Abec</b>	<b>Brand</b>	<b>Type</b>
<b>Order code</b>	CU60SK	3.175x6.350x2.779/2.380	Torlon	Steel	Radial	7	Tecnomed Italia	Groove
	CU60CC	3,175X6,350X2,380/27793	Torlon	Ceramic	Radial	7	Tecnomed Italia	Groove

RELATED PRODUCTS			
<b>Push button key</b>	<b>Adapter for spindles</b>	<b>Lubrication</b>	
<b>Order code</b>	KIV1023TM	CL5.001V	LIV1012 Ivory Silk Oil OL101S

# MK-dent® 1 spray standard head (HC2011 - HC2012 - HC4011\* - HC6011\*)

**HIGH SPEED  
HANDPIECE**

\*up to SN: E



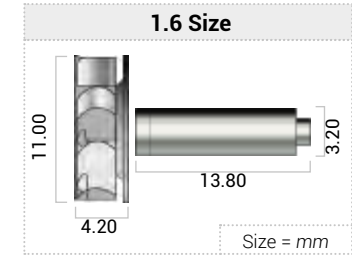
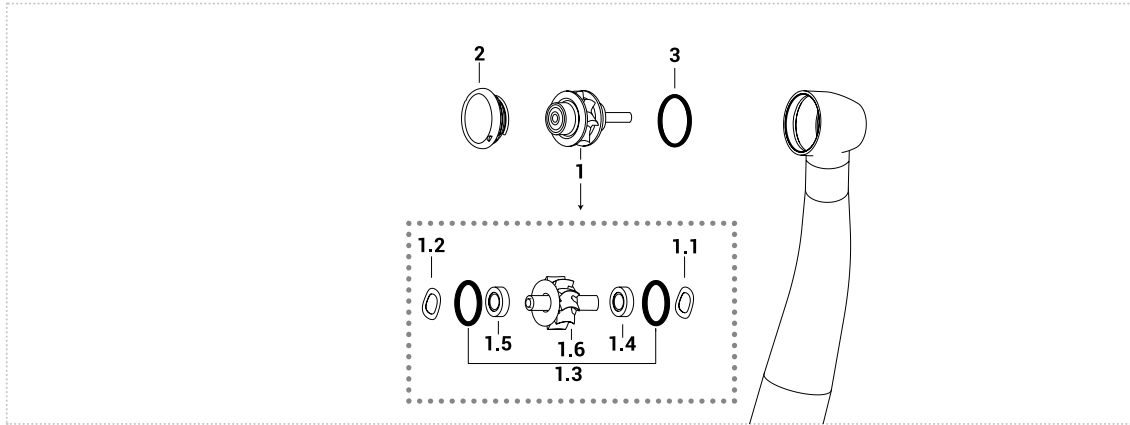
	<b>1</b>	<b>1.1</b>	<b>1.2</b>	<b>1.3</b>	<b>1.4</b>	<b>2</b>
	<b>Complete rotor</b>	<b>O-ring kit 10 pcs</b>	<b>Bearing type (burs side)</b>	<b>Bearing type (push side)</b>	<b>Rotor without bearings</b>	<b>Push button</b>
<b>Order code</b>	TS211T TC211T	OIV1011	CU6K CUC99K	CU6K CUC99K	SC211T	NOT AVAILABLE

1.2 - 1.3								
	<b>Bearing</b>	<b>Size d.i/d.e/h(mm)</b>	<b>Cage</b>	<b>Balls</b>	<b>Contact</b>	<b>Abec</b>	<b>Brand</b>	<b>Type</b>
<b>Order code</b>	CU6K	3,175X6,350X2,779	Torlon	Steel	Radial	7	Tecnomed Italia	Groove
	CUC99K	3,175X6,350X2,779	Fenolic	Ceramic	Radial	7	Myonic	Groove

RELATED PRODUCTS		
<b>Spraycover Key with 2 hole</b>	<b>Adapter for all spindles</b>	<b>Lubrication</b>
<b>Order code</b>	KIV1011K	CL5.001V Ivory Silk Oil OL101S

# MK-dent® Classic Line 4 spray standard head (HE17 - HE21K - HE21KL - HB21KL )

**HIGH SPEED  
HANDPIECE**



	<b>1</b>	<b>1.1</b>	<b>1.2</b>	<b>1.3</b>	<b>1.4</b>	<b>1.5</b>	<b>1.6</b>	<b>2</b>	<b>3</b>
	<b>Complete rotor</b>	<b>Spring washer (burs side)</b>	<b>Spring washer (push side)</b>	<b>O-ring kit 10 pcs</b>	<b>Bearing type (burs side)</b>	<b>Bearing type (push side)</b>	<b>Rotor without bearings</b>	<b>Push button</b>	<b>O-ring spray big</b>
<b>Order code</b>	TS251T	SA300F	SA400K	OIV1011	CN01B	CU60SK	SC251T	HKV800	OIV613276
	TC251T				CN11BC	CU60CC			

1.4 - 1.5								
Order code	Bearing	Size d.i./d.e/h(mm)	Cage	Balls	Contact	Abec	Brand	Type
	CN01B	3.175x6.350x2.779	Torlon	Steel	Radial	7	Tecnomed Italia	Smooth
	CU60SK	3.175x6.350x2,380/2.779	Torlon	Steel	Radial	7	Tecnomed Italia	Grove
	CN11BC	3,175X6,350X2,779	Torlon	Ceramic	Radial	7	Tecnomed Italia	Smooth
	CU60CC	3.175x6.350x2,380/2.779	Torlon	Ceramic	Radial	7	Tecnomed Italia	Grove

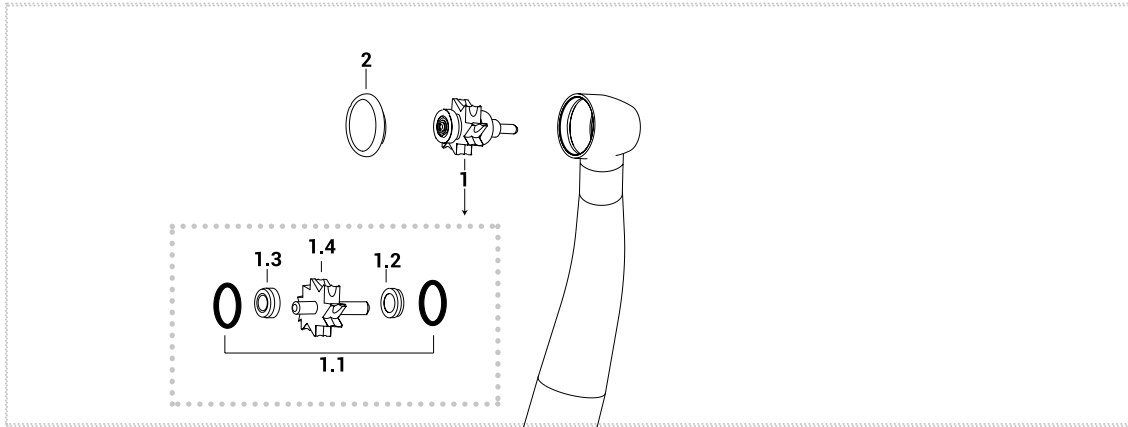
RELATED PRODUCTS			
<b>Push button key for 4 slots</b>	<b>Adapter for spindles</b>	<b>Lubrication</b>	
<b>Order code</b>	KIV8000K	CL5.001V	LIV1012 Ivory Silk Oil OL101S









# MK-dent® Classic Line 1 spray mini head (HC4012\* - HC6012\*)

**HIGH SPEED  
HANDPIECE**

\*up to SN: E



						
	<b>1</b>	<b>1.0</b>	<b>1.2</b>	<b>1.3</b>	<b>1.4</b>	<b>2</b>
	<b>Complete rotor</b>	<b>O-ring kit 10 pcs</b>	<b>Bearing type (burs side)</b>	<b>Bearing type (push side)</b>	<b>Rotor without bearings</b>	<b>Push button</b>
<b>Order code</b>	TS212T	OIV1011	CU6K	CU6K	SC212T	NOT AVAILABLE
	TC212T		CUC99K	CUC99K		

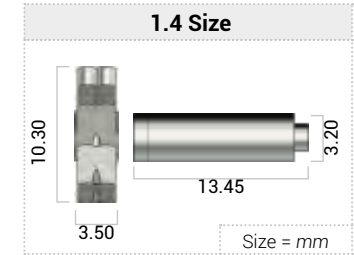
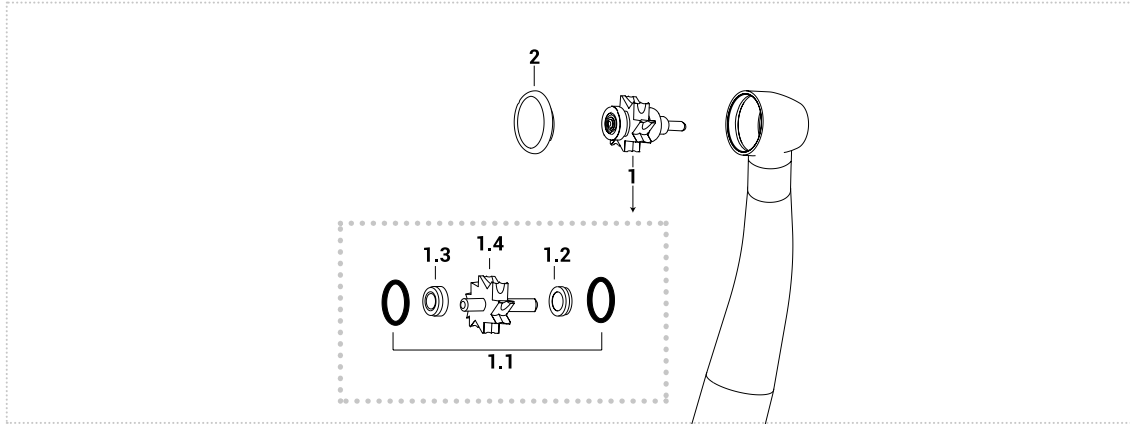
1.2 - 1.3								
<b>Order code</b>	<b>Bearing</b>	<b>Size d.i./d.e/h(mm)</b>	<b>Cage</b>	<b>Balls</b>	<b>Contact</b>	<b>Abec</b>	<b>Brand</b>	<b>Type</b>
	CU6K	3,175X6,350X2,779	Torlon	Steel	Radial	7	Tecnomed Italia	Groove
	CUC99K	3,175X6,350X2,779	Fenolic	Ceramic	Radial	7	Myonic	Groove

RELATED PRODUCTS			
			
<b>Push button key</b>	<b>Adapter for spindles</b>	<b>Lubrication</b>	
<b>Order code</b>	KIV1023TM	CL5.001V	LIV1012 Ivory Silk Oil OL101S

# MK-dent® Basic Line 1 spray mini head (HC2013\*-HC2014\*)

**HIGH SPEED  
HANDPIECE**

\*up to SN: E



	<b>1</b>	<b>1.1</b>	<b>1.2</b>	<b>1.3</b>	<b>1.4</b>	<b>2</b>
	<b>Complete rotor</b>	<b>O-ring kit 10 pcs</b>	<b>Bearing type (burs side)</b>	<b>Bearing type (push side)</b>	<b>Rotor without bearings</b>	<b>Push button</b>
<b>Order code</b>	TS211T	OIV1011	CU6K	CU6K	SC211T	NOT AVAILABLE
	TC211T		CUC99K	CUC99K		

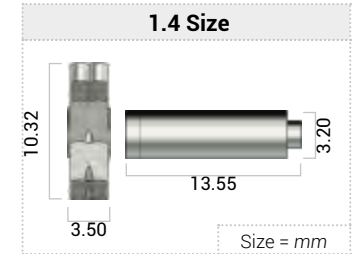
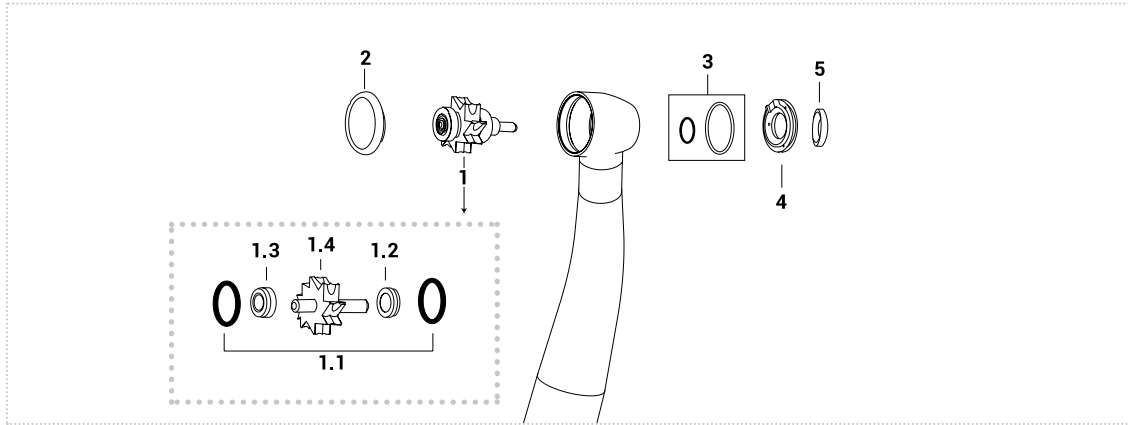
1.2 - 1.3								
	<b>Bearing</b>	<b>Size d.i./d.e/h(mm)</b>	<b>Cage</b>	<b>Balls</b>	<b>Contact</b>	<b>Abec</b>	<b>Brand</b>	<b>Type</b>
<b>Order code</b>	CU6K	3,175X6,350X2,779	Torlon	Steel	Radial	7	Tecnomed Italia	Groove
	CUC99K	3,175X6,350X2,779	Fenolic	Ceramic	Radial	7	Myonic	Groove

	<b>Adapter for all spindles</b>	<b>Lubrication</b>
<b>Order code</b>	CL5.001V	Ivory Silk Oil OL101S

# Mk-Dent® 3 spray standard head (HC6021 - HC7021 - HC4021 - HC4011\* - HC6011\*)

**HIGH SPEED  
HANDPIECE**

\*up to SN:F



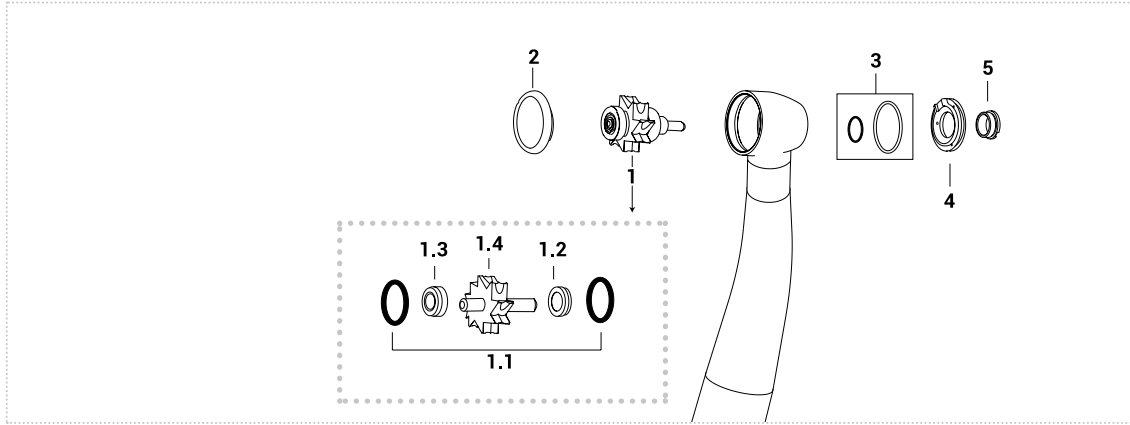
	1	1.1	1.2	1.3	1.4	2	3	4	5
	<b>Complete rotor</b>	<b>O-ring kit 10 pcs</b>	<b>Bearing type (burs side)</b>	<b>Bearing type (push side)</b>	<b>Rotor without bearings</b>	<b>Push button</b>	<b>O-ring spray</b>	<b>Spray cover</b>	<b>Spray cover screw</b>
<b>Order code</b>	HKV850N HKV851C HKV850C HKV850T	OR1K	CU6K CU6CC CUC99K CUB6B	CU6K CU6CC CUC99K CUB6B	SC850N	NOT AVAILABLE	OR650F	OIV441K	OIV430K

1.2 - 1.3								
	Bearing	Size d.i./d.e/h(mm)	Cage	Balls	Contact	Abec	Brand	Type
<b>Order code</b>	CU6K	3,175X6,350X2,779	Torlon	Steel	Radial	7	Tecnomed Italia	Groove
	CU6CC	3,175X6,350X2,779	Torlon	Ceramic	Radial	7	Tecnomed Italia	Groove
	CUC99K	3,175X6,350X2,779	Fenolic	Ceramic	Radial	7	Myonic	Groove
	CUB6B	3,175X6,350X2,779	Fenolic	Steel	Radial	7	Myonic	Groove

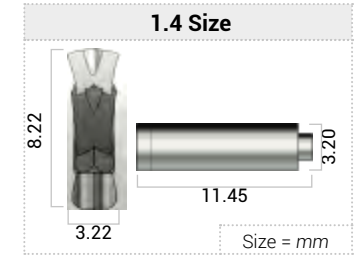
RELATED PRODUCTS					
<b>Spraycover Key</b>	<b>Push button key for 4 slots</b>	<b>Push button Key</b>	<b>Adapter for spindles</b>	<b>Lubrication</b>	
<b>Order code</b>	KIV1022KT	KIV8000K	KE1033	CL5.001V	LIV1012 Ivory Silk Oil OL101S

# MK-dent® 3 spray small head (HC6022 - HC7022 - HC4022 - HC4012\* - HC6012\* - HC2013\* - HC2014\*)

**HIGH SPEED  
HANDPIECE**  
\*up to SN:F



VIDEO TUTORIAL

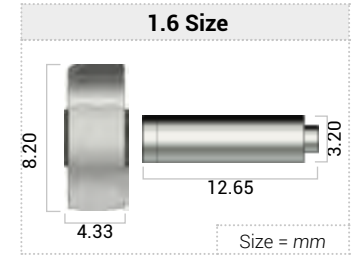
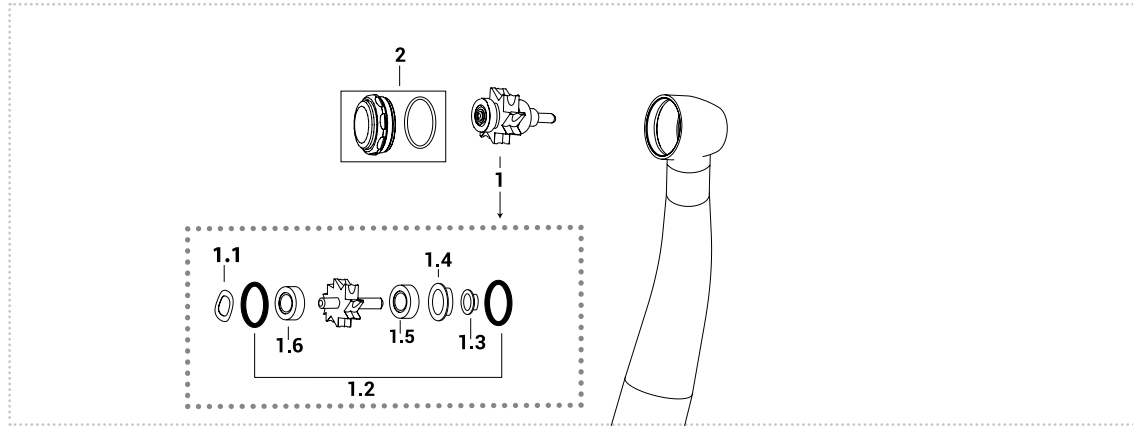


	1	1.1	1.2	1.3	1.4	2	3	4	5
	<b>Complete rotor</b>	<b>O-ring kit 10 pcs</b>	<b>Bearing type (burs side)</b>	<b>Bearing type (push side)</b>	<b>Rotor without bearings</b>	<b>Push button</b>	<b>O-ring spray</b>	<b>Spray cover</b>	<b>Spray cover screw</b>
<b>Order code</b>	HKV850P	OR1K	CU6K	CU6K	SC850P	NOT AVAILABLE	OR650F	OUT OF PRODUCTION	OUT OF PRODUCTION
	HKV852P		CU6CC	CU6CC					
	HKV62CP		CUC99K	CUC99K					
	HKV62TK		CUB6B	CUB6B					

1.2 - 1.3								
<b>Order code</b>	<b>Bearing</b>	<b>Size d.i/d.e/h(mm)</b>	<b>Cage</b>	<b>Balls</b>	<b>Contact</b>	<b>Abec</b>	<b>Brand</b>	<b>Type</b>
	CU6K	3,175X6,350X2,779	Torlon	Steel	Radial	7	Tecnomed Italia	Groove
	CU6CC	3,175X6,350X2,779	Torlon	Ceramic	Radial	7	Tecnomed Italia	Groove
	CUC99K	3,175X6,350X2,779	Fenolic	Ceramic	Radial	7	Myonic	Groove
	CUB6B	3,175X6,350X2,779	Fenolic	Steel	Radial	7	Myonic	Groove

## RELATED PRODUCTS

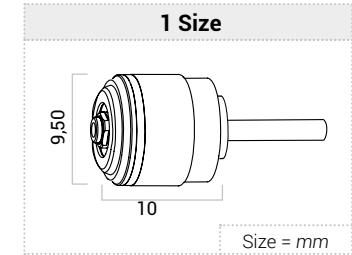
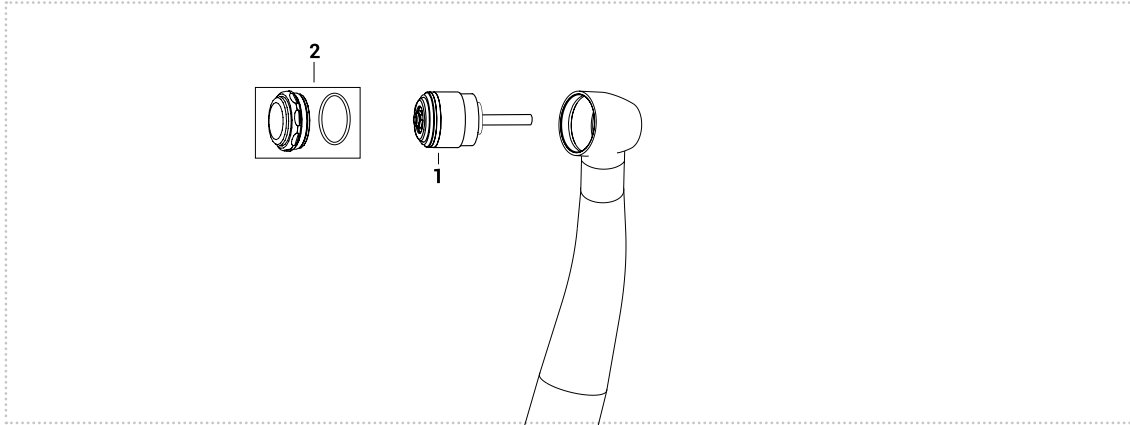
<b>Spraycover Key</b>	<b>Push button Key</b>	<b>Adapter for spindles</b>	<b>Lubrication</b>	
<b>Order code</b> KIV1022KT	KE1033	CL5.001V	LIV1012	Ivory Silk Oil OL101S





	1	1.1	1.2	1.3	1.4	1.5	1.6	2
	Complete rotor	Spring washer	O-ring kit 10 pcs	Slinger	Bearing bush	Bearing type (burs side)	Bearing type (push side)	Push button
Order code	HNK0772	SA300F	OR1K	NOT AVAILABLE	NOT AVAILABLE	CN02A CB22BC	CN02A CB22BC	PIVS04PX

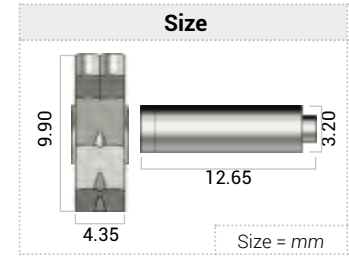
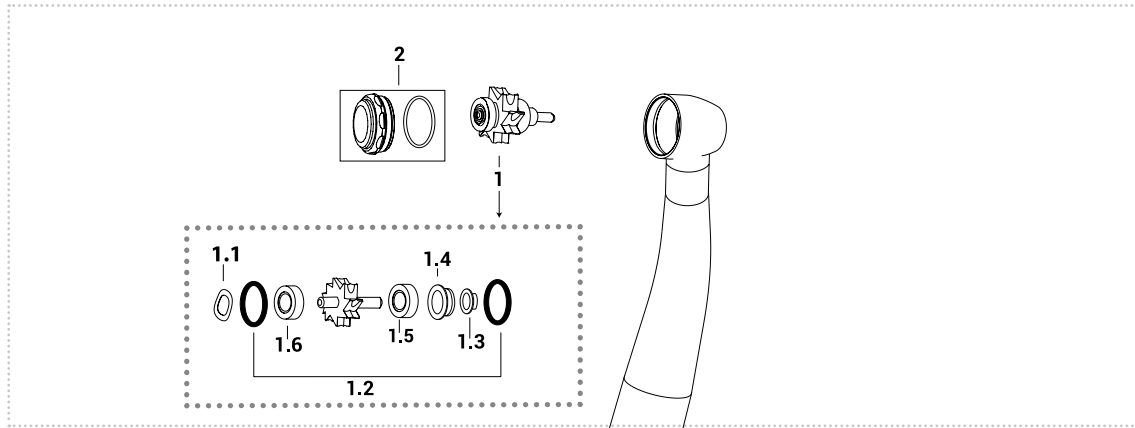
1.5 - 1.6								
Order code	Bearing	Size d.i/d.e/h(mm)	Cage	Balls	Contact	Abec	Brand	Type
	CN02A	3,175X6,350X2,380	Torlon	Steel	Radial	7	Tecnomed Italia	Smooth
	CB22BC	3.175X6.350X2.380	Fenolic	Ceramic	Radial	9	Myonic	Smooth

RELATED PRODUCTS			
Push button key & Head expanding	Adapter for spindles	Lubrication	
Order code	RT032M	CL5.001V	LIV1020 Ivory Silk Oil OL101S



		
	<b>1</b>	<b>2</b>
	<b>Complete rotor</b>	<b>Push button</b>
<b>Order code</b>	HNK1190	PIV204PX

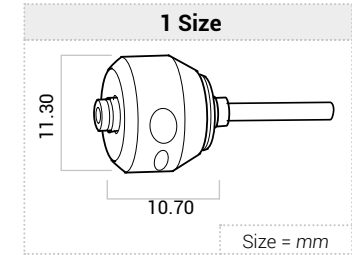
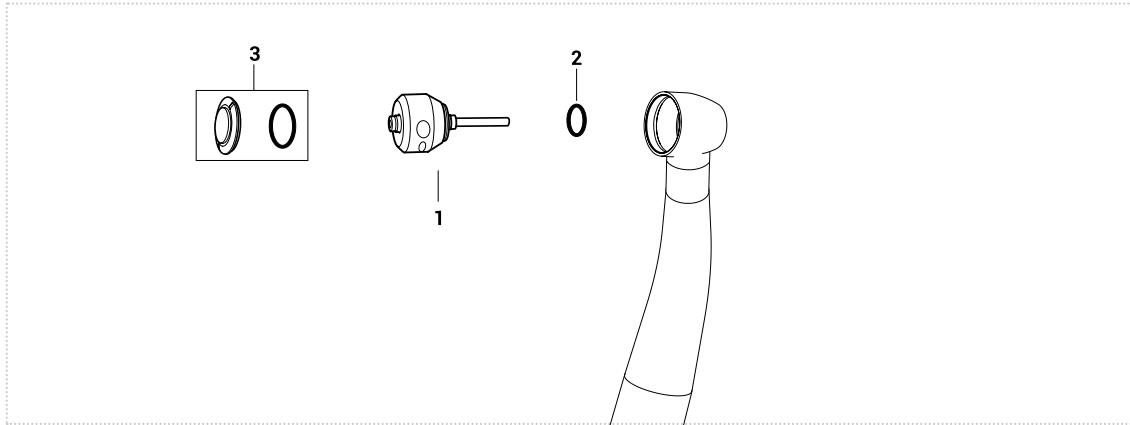
RELATED PRODUCTS			
			
<b>Push button key</b>	<b>Adapter for spindles</b>	<b>Lubrication</b>	
<b>Order code</b>	KIV1049N	CL5.001V	LIV1020 Ivory Silk Oil OL101S






	<b>1</b>	<b>1.1</b>	<b>1.2</b>	<b>1.3</b>	<b>1.4</b>	<b>1.5</b>	<b>1.6</b>	<b>2</b>
	<b>Complete rotor</b>	<b>Spring washer</b>	<b>O-ring kit 10 pcs</b>	<b>Slinger</b>	<b>Bearing bush</b>	<b>Bearing type (burs side)</b>	<b>Bearing type (push side)</b>	<b>Push button</b>
<b>Order code</b>	HNK0773	SA300F	OR1K	NOT AVAILABLE	NOT AVAILABLE	CN02A CB22BC	CN02A CB22BC	PIVT04PX

1.5 - 1.6								
	<b>Bearing</b>	<b>Size d.i./d.e/h(mm)</b>	<b>Cage</b>	<b>Balls</b>	<b>Contact</b>	<b>Abec</b>	<b>Brand</b>	<b>Type</b>
<b>Order code</b>	CN02A	3,175X6,350X2,380	Torlon	Steel	Radial	7	Tecnomed Italia	Smooth
	CB22BC	3.175X6.350X2.380	Fenolic	Ceramic	Radial	9	Myonic	Smooth

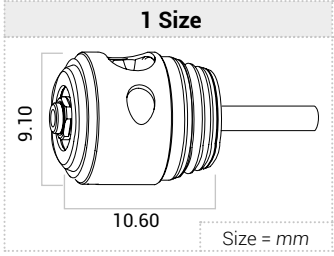
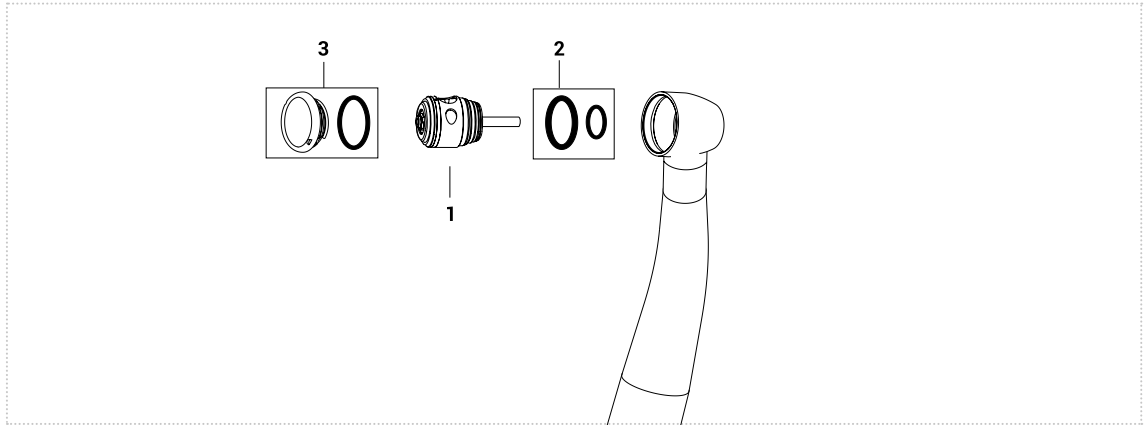
RELATED PRODUCTS			
<b>Push button &amp; expander key</b>	<b>Adapter for spindles</b>	<b>Lubrication</b>	
<b>Order code</b>	RT035M	CL5.001V	LIV1020 Ivory Silk Oil OL101S






			
	1	2	3
	<b>Complete rotor</b>	<b>O-ring rotor</b>	<b>Push button</b>
<b>Order code</b>	HNK935T	AVAILABLE ON REQUEST	AVAILABLE ON REQUEST

RELATED PRODUCTS		
		
<b>Adapter for spindles</b>	<b>Lubrication</b>	
<b>Order code</b>	CL5.001V	Ivory Silk Oil OL101S

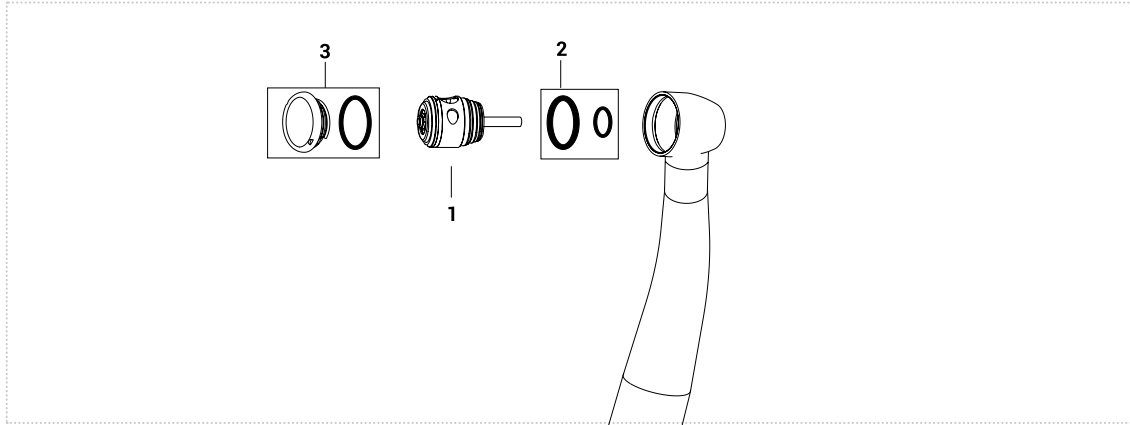




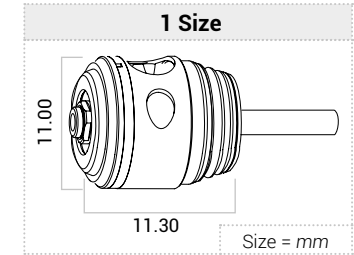
			
	<b>1</b>	<b>2</b>	<b>3</b>
	<b>Complete rotor</b>	<b>O-ring spray big</b>	<b>Push button</b>
<b>Order code</b>	HNK905	AVAILABLE ON REQUEST	PIV500NM

**RELATED PRODUCTS**

				
	<b>Push button key &amp; Head expanding</b>	<b>Adapter for spindles</b>	<b>Lubrication</b>	
<b>Order code</b>	RT030M	CL5.001V	LIV1020	Ivory Silk Oil OL101S

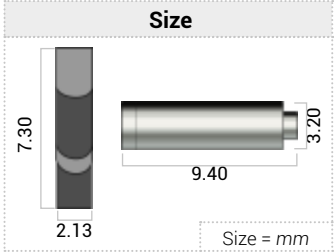
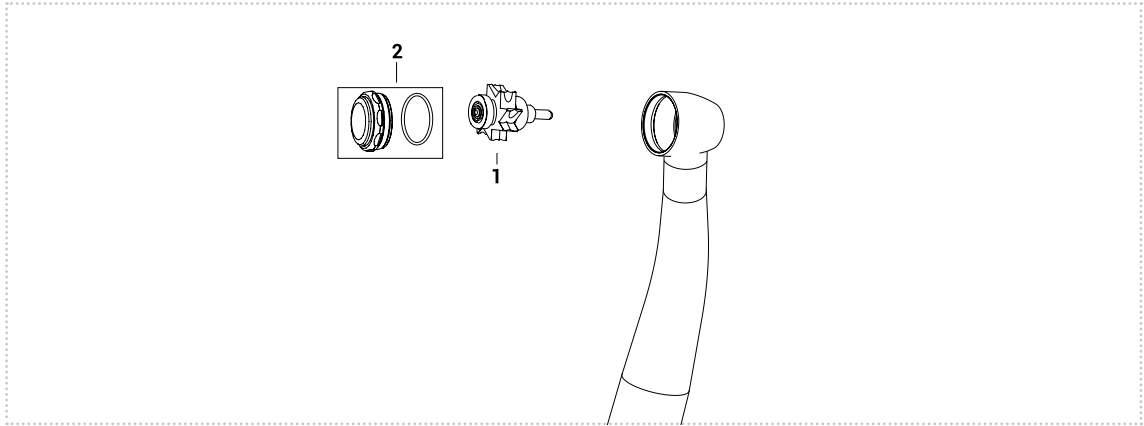


VIDEO TUTORIAL



			
	1	2	3
	<b>Complete rotor</b>	<b>O-ring spray big</b>	<b>Push button</b>
<b>Order code</b>	HNK916	AVAILABLE ON REQUEST	PIV600NK

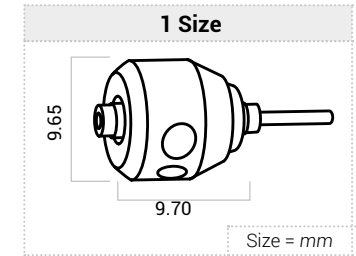
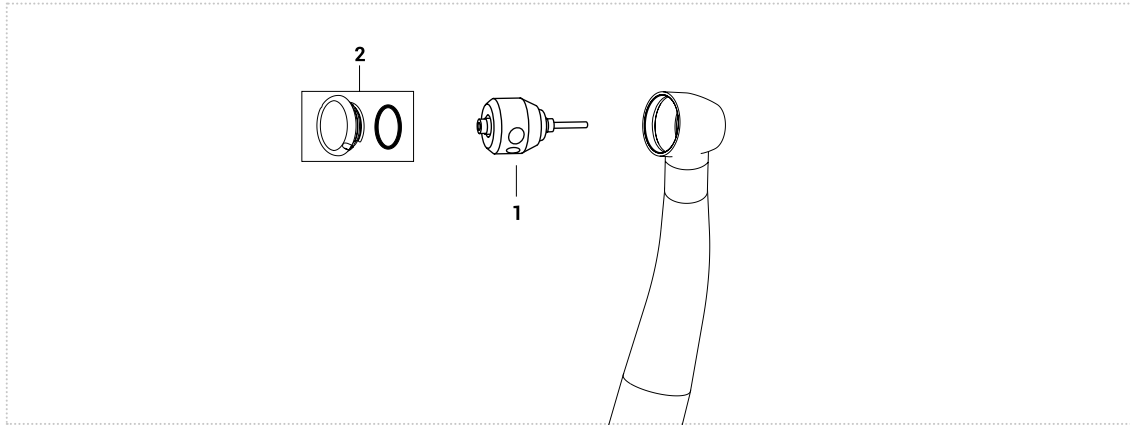
RELATED PRODUCTS			
			
<b>Push button key &amp; Head expanding</b>	<b>Adapter for spindles</b>	<b>Lubrication</b>	
<b>Order code</b>	RT029M	CL5.001V	LIV1020 Ivory Silk Oil OL101S





	1	2
	<b>Complete rotor</b>	<b>Push button</b>
<b>Order code</b>	HNK1402	AVAILABLE ON REQUEST

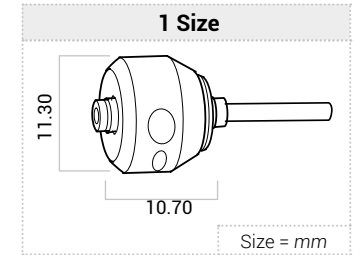
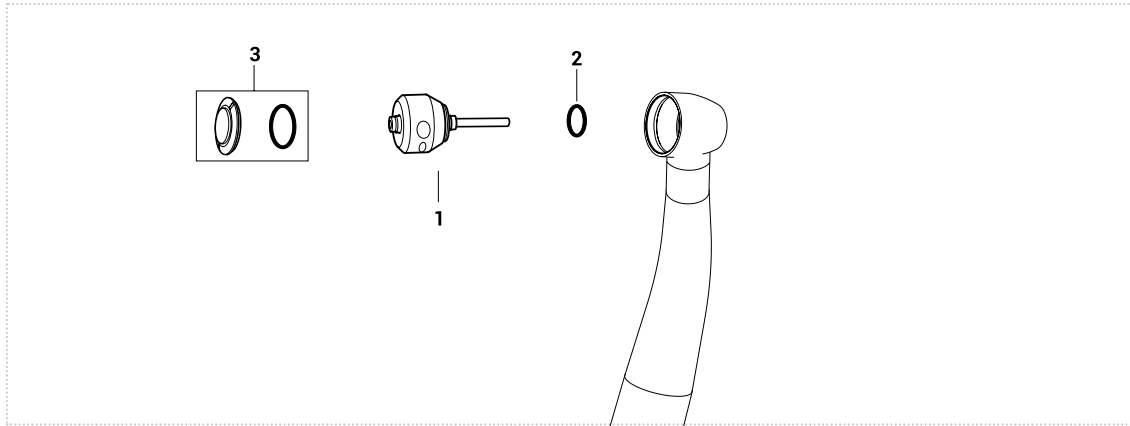
**RELATED PRODUCTS**




			
<b>Push button key Adapter for spindles</b>		<b>Lubrication</b>	
<b>Order code</b>	KIV1060N	CL5.001V	LIV1020 Ivory Silk Oil OL101S



		
	1	2
	<b>Complete rotor</b>	<b>Push button</b>
<b>Order code</b>	HNK4101	PIV300ML

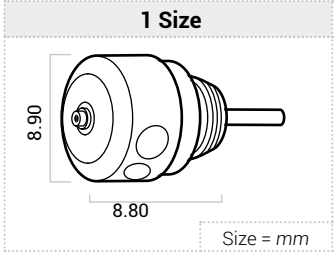
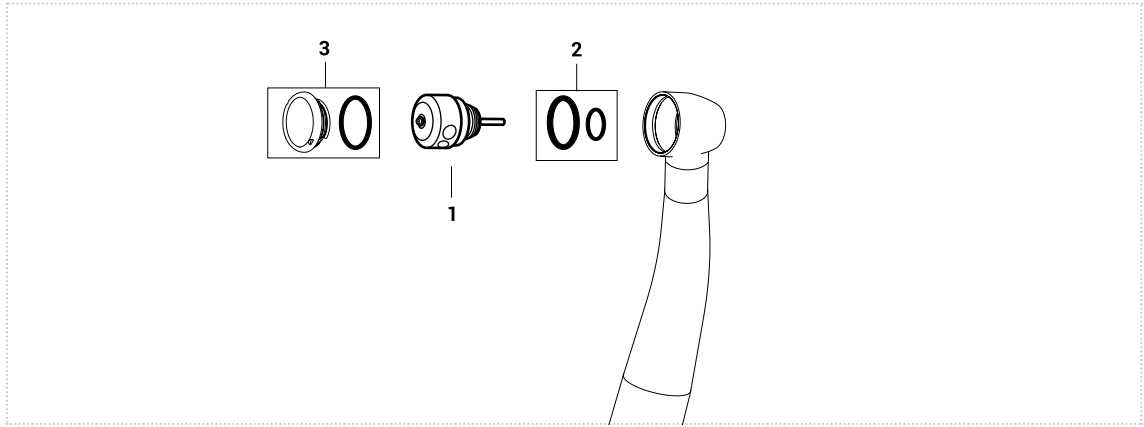
RELATED PRODUCTS		
		
<b>Adapter for spindles</b>	<b>Lubrication</b>	
<b>Order code</b>	CL5.001V	Ivory Silk Oil OL101S






			
	1	2	3
	Complete rotor	O-ring rotor	Push button
Order code	HNK935T	AVAILABLE ON REQUEST	PIV400ML

RELATED PRODUCTS			
			
Push button key & Head expanding	Adapter for spindles	Lubrication	
Order code	KIV1050N	CL5.001V	LIV1020 Ivory Silk Oil OL101S

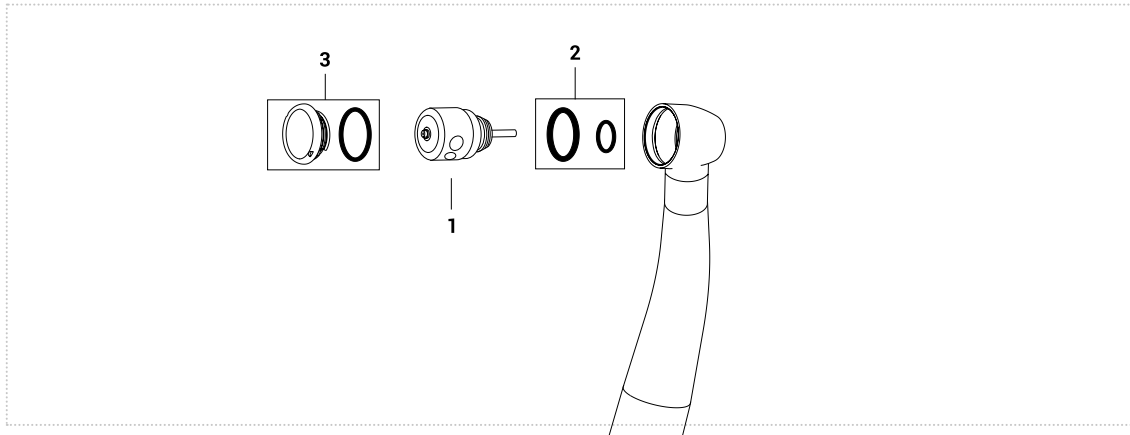




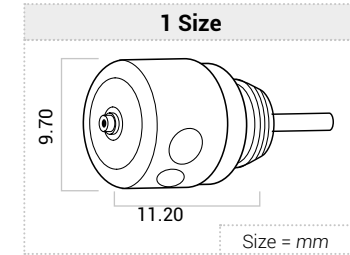
			
	<b>1</b>	<b>2</b>	<b>3</b>
	<b>Complete rotor</b>	<b>O-ring spray big</b>	<b>Push button</b>
<b>Order code</b>	HNK901	AVAILABLE ON REQUEST	PIV500TMA

**RELATED PRODUCTS**

				
	<b>Push button key</b>	<b>Adapter for spindles</b>	<b>Lubrication</b>	
<b>Order code</b>	KIV1023TM	CL5.001V	LIV1020	Ivory Silk Oil OL101S



VIDEO TUTORIAL

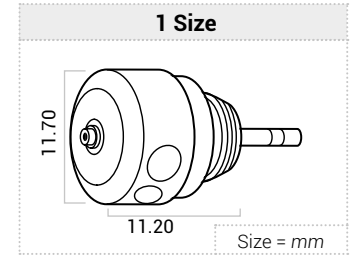
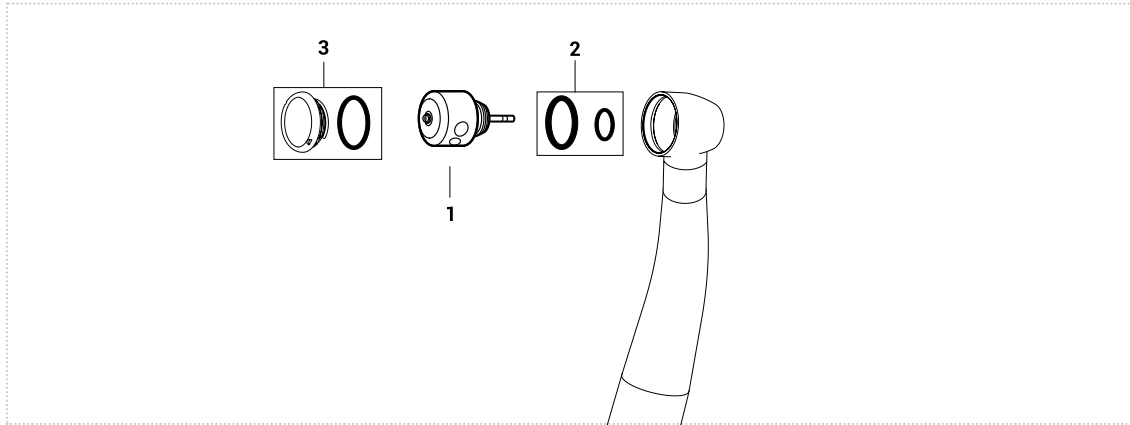



	1	2	3
	<b>Complete rotor</b>	<b>O-ring spray big</b>	<b>Push button</b>
<b>Order code</b>	HNK913	AVAILABLE ON REQUEST	AVAILABLE ON REQUEST

RELATED PRODUCTS

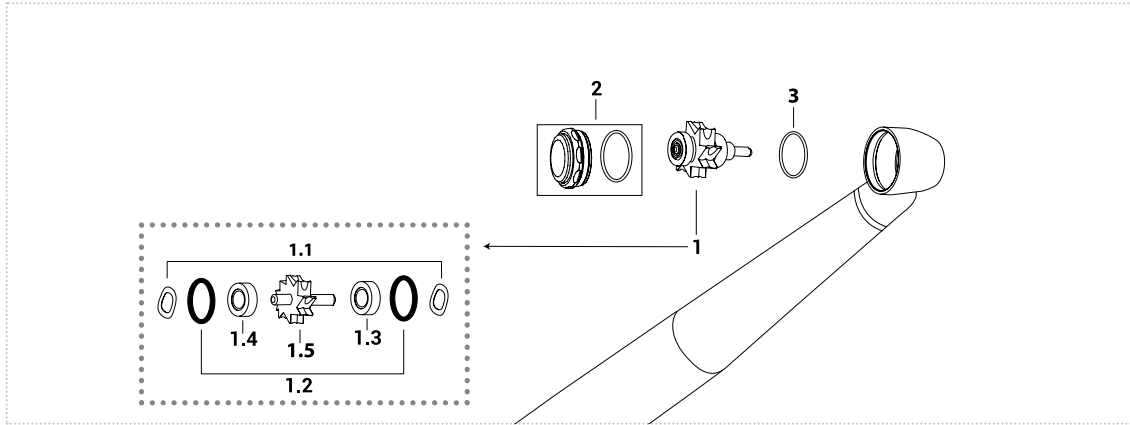
	<b>Push button key</b>	<b>Adapter for spindles</b>	<b>Lubrication</b>	
<b>Order code</b>	KIV1023TM	CL5.001V	LIV1020	Ivory Silk Oil OL101S



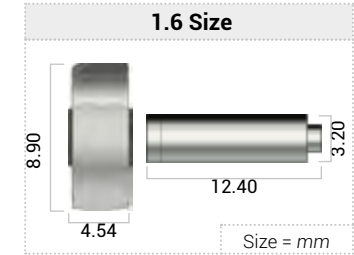


			
	1	2	3
	<b>Complete rotor</b>	<b>O-ring spray big</b>	<b>Push button</b>
<b>Order code</b>	HNK924	AVAILABLE ON REQUEST	AVAILABLE ON REQUEST

RELATED PRODUCTS			
			
<b>Push button key</b>	<b>Adapter for spindles</b>	<b>Lubrication</b>	
<b>Order code</b>	KIV1023TM	CL5.001V	LIV1020 Ivory Silk Oil OL101S



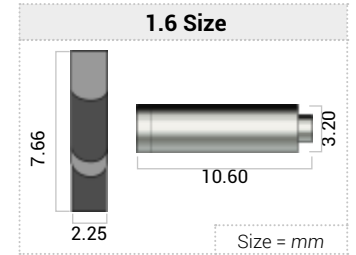
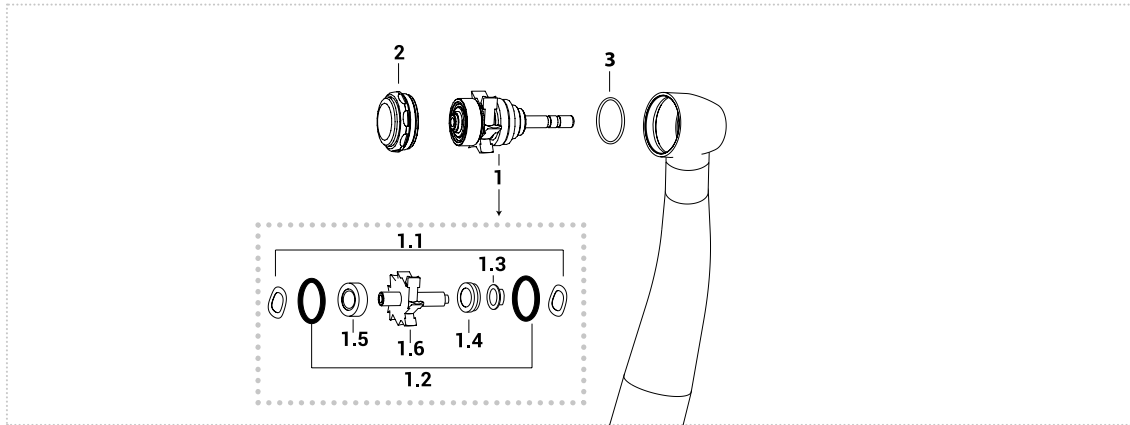
TiX-SU03



	<b>1</b>	<b>1.1</b>	<b>1.2</b>	<b>1.3</b>	<b>1.4</b>	<b>1.6</b>	<b>2</b>	<b>3</b>
	<b>Complete rotor</b>	<b>Spring washer</b>	<b>O-ring kit 10 pcs</b>	<b>Bearing type (burs side)</b>	<b>Bearing type (push side)</b>	<b>Rotor without bearings</b>	<b>Push button</b>	<b>O-ring spray</b>
<b>Order code</b>	HNK600	SA300F	OR1K	CN02A	CN02A	SCX60	PIV450XN	AVAILABLE ON REQUEST
	HNK600C			CB22BC	CB22BC			

1.4 - 1.5								
<b>Order code</b>	<b>Bearing</b>	<b>Size d.i/d.e/h(mm)</b>	<b>Cage</b>	<b>Balls</b>	<b>Contact</b>	<b>Abec</b>	<b>Brand</b>	<b>Type</b>
	CN02A	3,175X6,350X2,380	Torlon	Steel	Radial	7	Tecnomed Italia	Smooth
	CB22BC	3.175X6.350X2.380	Fenolic	Ceramic	Radial	7	Myonic	Smooth

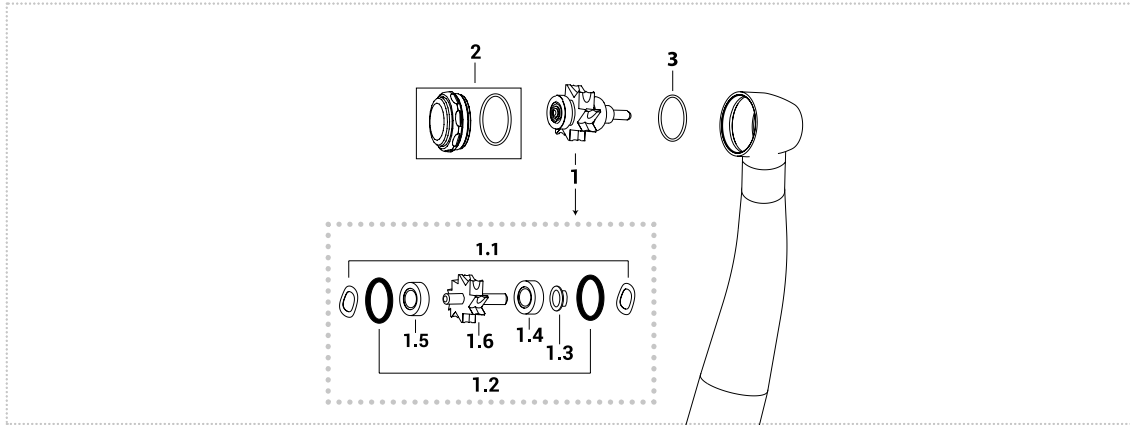
RELATED PRODUCTS			
<b>Push button key &amp; Head expanding</b>	<b>Adapter for spindles</b>	<b>Lubrication</b>	
<b>Order code</b>	KIV1050N	CL5.001V	LIV1020 Ivory Silk Oil OL101S



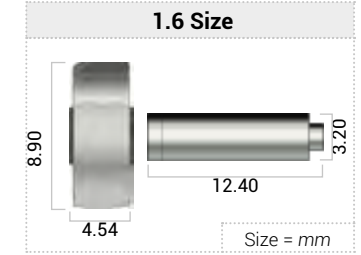
	<b>1</b>	<b>1.1</b>	<b>1.2</b>	<b>1.3</b>	<b>1.4</b>	<b>1.5</b>	<b>1.6</b>	<b>2</b>	<b>3</b>
	<b>Complete rotor</b>	<b>Spring washer</b>	<b>O-ring kit 10 pcs</b>	<b>Slinger</b>	<b>Bearing type (burs side)</b>	<b>Bearing type (push side)</b>	<b>Rotor without bearings</b>	<b>Push button</b>	<b>O-ring spray</b>
<b>Order code</b>	HNK500	SA300F	OR1K	NOT AVAILABLE	CU61S	CN02A	SCX50	PIV500NX	AVAILABLE ON REQUEST

1.4 - 1.5								
	<b>Bearing</b>	<b>Size d.i./d.e/h(mm)</b>	<b>Cage</b>	<b>Balls</b>	<b>Contact</b>	<b>Abec</b>	<b>Brand</b>	<b>Type</b>
<b>Order code</b>	CU61S	3.175X6.350X2.380	Torlon	Steel	Radial	7	Tecnomed Italia	Groove
	CN02A	3.175X6.350X2.380	Torlon	Steel	Radial	7	Tecnomed Italia	Smooth

RELATED PRODUCTS			
<b>Push button key</b>	<b>Adapter for spindles</b>	<b>Lubrication</b>	
<b>Order code</b>	RT032M	CL5.001V	LIV1020 Ivory Silk Oil OL101S



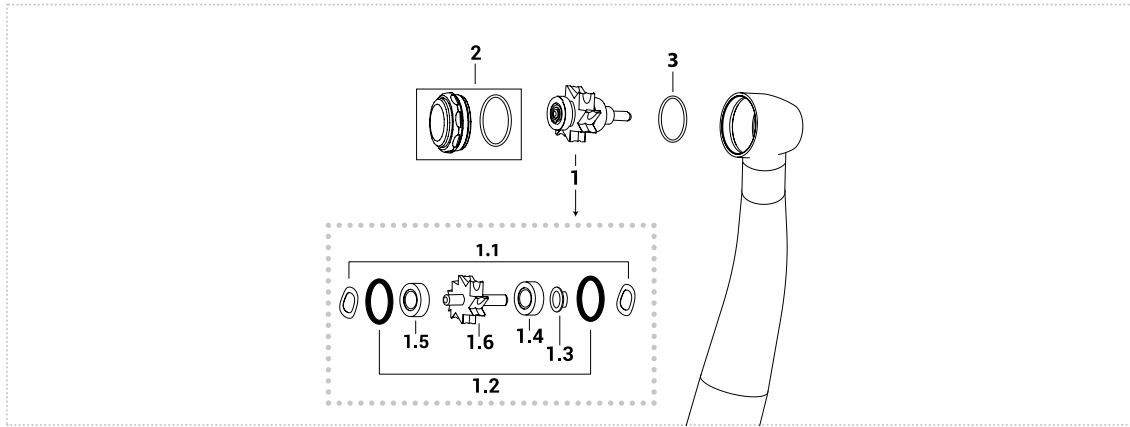
VIDEO TUTORIAL



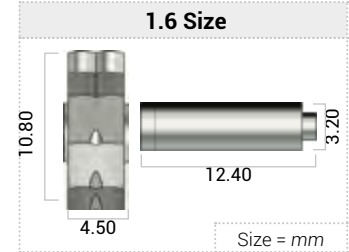
	1	1.1	1.2	1.3	1.4	1.5	1.6	2	3
	<b>Complete rotor</b>	<b>Spring washer</b>	<b>O-ring kit 10 pcs</b>	<b>Slinger</b>	<b>Bearing type (burs side)</b>	<b>Bearing type (push side)</b>	<b>Rotor without bearings</b>	<b>Push button</b>	<b>O-ring spray</b>
<b>Order code</b>	HNK600	SA300F	OR1K	NOT AVAILABLE	CN02A	CN02A	SCX60	PIV600NX	AVAILABLE ON REQUEST
	HNK600C			CB22BC	CB22BC				

1.4 - 1.5								
<b>Order code</b>	<b>Bearing</b>	<b>Size d.i/d.e/h(mm)</b>	<b>Cage</b>	<b>Balls</b>	<b>Contact</b>	<b>Abec</b>	<b>Brand</b>	<b>Type</b>
	CN02A	3,175X6,350X2,380	Torlon	Steel	Radial	7	Tecnomed Italia	Smooth
	CB22BC	3.175X6.350X2.380	Fenolic	Ceramic	Radial	7	Myonic	Smooth

<b>RELATED PRODUCTS</b>			
<b>Push button key &amp; Head expanding</b>	<b>Adapter for spindles</b>	<b>Lubrication</b>	
<b>Order code</b>	RT031M	CL5.001V	LIV1020 Ivory Silk Oil OL101S



VIDEO TUTORIAL

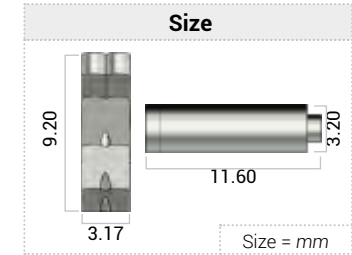
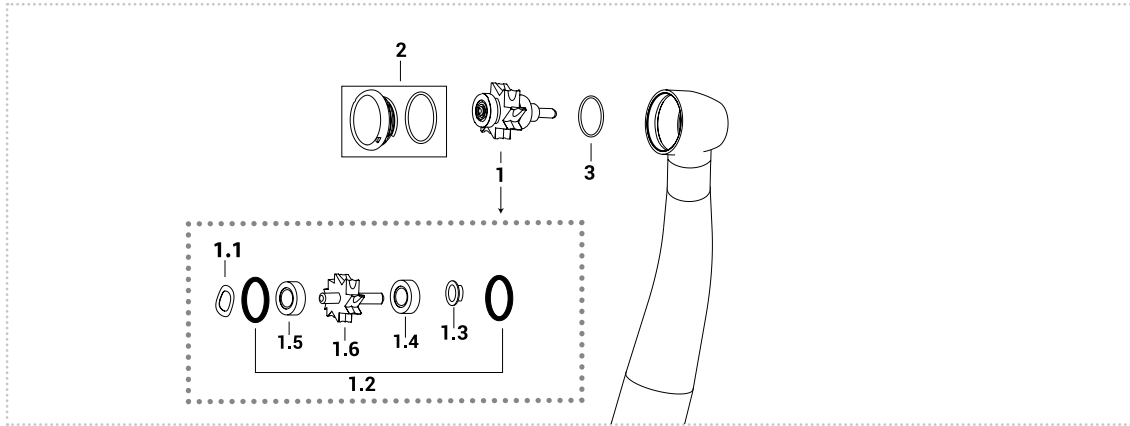


	1	1.1	1.2	1.3	1.4	1.5	1.6	2	3
	Complete rotor	Spring washer	O-ring kit 10 pcs	Slinger	Bearing type (burs side)	Bearing type (push side)	Rotor without bearings	Push button	O-ring spray
Order code	HKN700	SA300F	OR1K	NOT AVAILABLE	CN02A	CN02A	SCX70	PIV700NX	AVAILABLE ON REQUEST
	HKN700C				CB22BC	CB22BC			

1.4 - 1.5								
Order code	Bearing	Size d.i/d.e/h(mm)	Cage	Balls	Contact	Abec	Brand	Type
	CN02A	3,175X6,350X2,380	Torlon	Steel	Radial	7	Tecnomed Italia	Smooth
	CB22BC	3.175X6.350X2.380	Fenolic	Ceramic	Radial	7	Myonic	Smooth

RELATED PRODUCTS

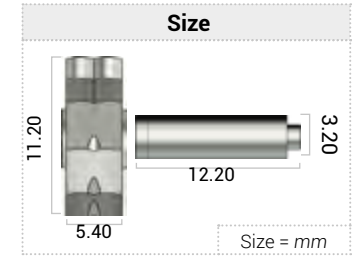
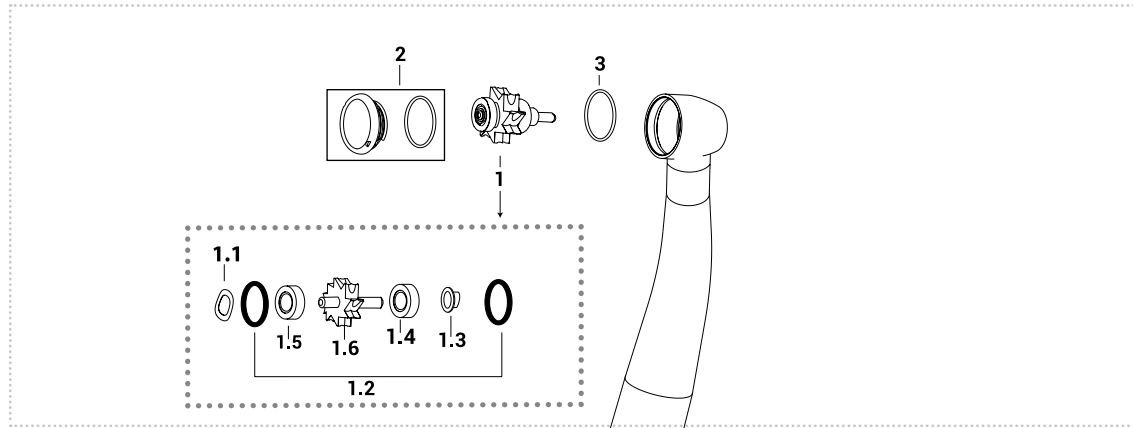
Push button key	Adapter for spindles	Lubrication	
Order code	KIV1047N	CL5.001V	LIV1020 Ivory Silk Oil OL101S



	<b>1</b>	<b>1.1</b>	<b>1.2</b>	<b>1.3</b>	<b>1.4</b>	<b>1.5</b>	<b>1.6</b>	<b>2</b>	<b>3</b>
	<b>Complete rotor</b>	<b>Spring washer</b>	<b>O-ring kit 10 pcs</b>	<b>Slinger</b>	<b>Bearing type (burs side)</b>	<b>Bearing type (push side)</b>	<b>Rotor without bearings</b>	<b>Push button</b>	<b>O-ring spray</b>
<b>Order code</b>	HNK2075	SA300F	OR1K	NOT AVAILABLE	CU13AN	CN02A CB22BC	SC2077	PIV800ZN	AVAILABLE ON REQUEST

1.4 - 1.5								
	<b>Bearing</b>	<b>Size d.i./d.e./h(mm)</b>	<b>Cage</b>	<b>Balls</b>	<b>Contact</b>	<b>Abec</b>	<b>Brand</b>	<b>Type</b>
<b>Order code</b>	CN02A	3.175X6.350X2.380	Torlon	Steel	Radial	7	Tecnomed Italia	Smooth
	CB22BC	3.175X6.350X2.380	Fenolic	Ceramic	Radial	9	Myonic	Smooth
	CU13AN	2.380X3.175X6.350	Torlon	Steel	Radial	7	Tecnomed Italia	Flanged

RELATED PRODUCTS			
<b>Push button &amp; expander hey</b>	<b>Adapter for spindles</b>	<b>Lubrication</b>	
<b>Order code</b>	RT034M	CL5.001V	LIV1020 Ivory Silk Oil OL101S



	1	1.1	1.2	1.3	1.4	1.5	1.6	2	3
	Complete rotor	Spring washer	O-ring kit 10 pcs	Slinger	Bearing type (burs side)	Bearing type (push side)	Rotor without bearings	Push button	O-ring spray
Order code	HNK2076	SA300F	OR1K	NOT AVAILABLE	CU13AN	CN02A CB22BC	SC2076	PIV900ZN	AVAILABLE ON REQUEST

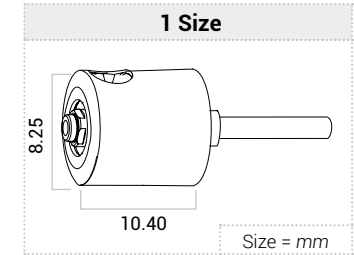
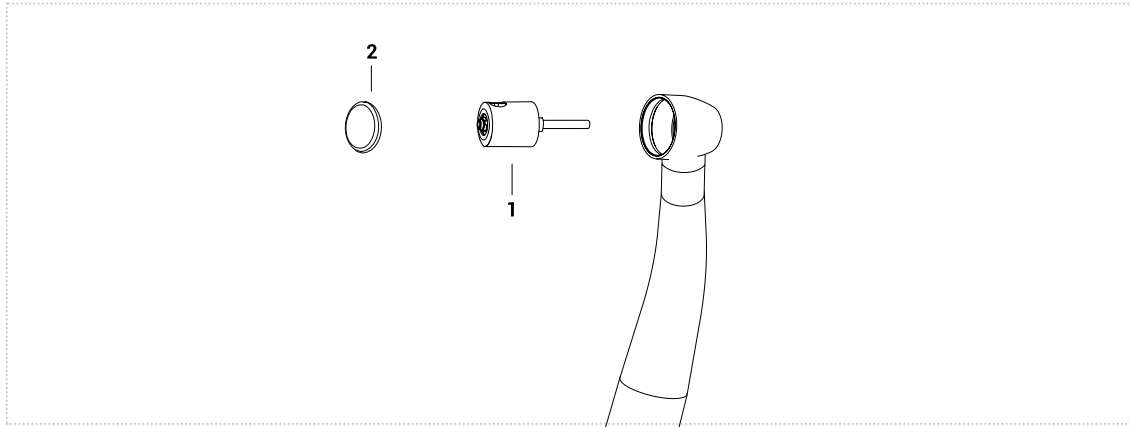
1.4 - 1.5								
Order code	Bearing	Size d.i/d.e/h(mm)	Cage	Balls	Contact	Abec	Brand	Type
	CN02A	3,175X6,350X2,380	Torlon	Steel	Radial	7	Tecnomed Italia	Smooth
	CB22BC	3.175X6.350X2.380	Fenolic	Ceramic	Radial	9	Myonic	Smooth
	CU13AN	2.380X3.175X6.350	Torlon	Steel	Radial	7	Tecnomed Italia	Flanged

RELATED PRODUCTS			
Push button & expander key	Adapter for spindles	Lubrication	
Order code	RT035M	CL5.001V	LIV1020 Ivory Silk Oil OL101S

# NSK® Ti-Max Pana Air Standard a chiavetta

**NPA-S03**

**HIGH SPEED  
HANDPIECE**



		
	<b>1</b>	<b>2</b>
	<b>Complete rotor</b>	<b>Cover</b>
<b>Order code</b>	HNK91F	HCP118.1

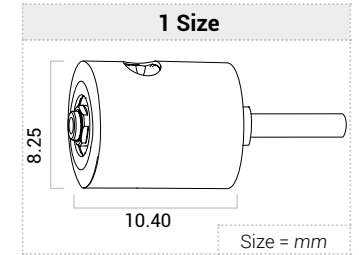
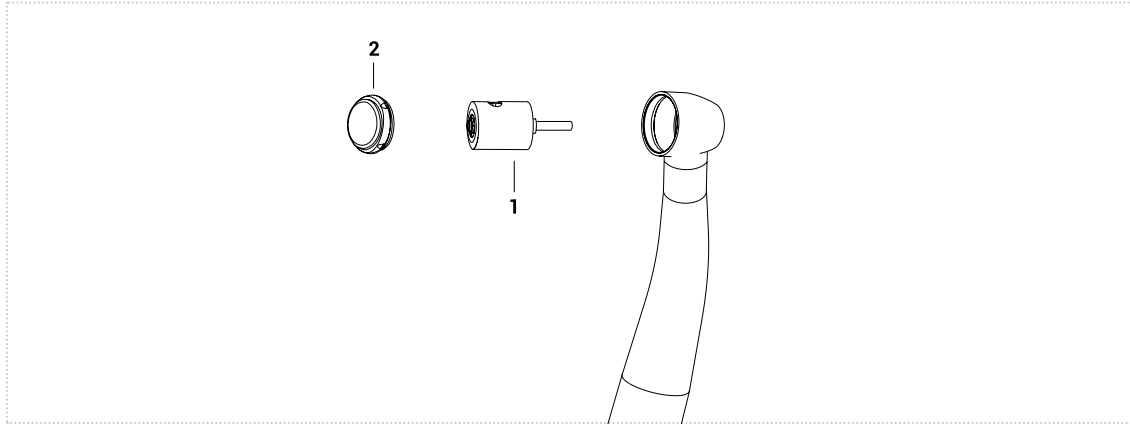
<b>RELATED PRODUCTS</b>		
		
<b>Rotor Key</b>	<b>Adapter for all spindles</b>	<b>Lubrication</b>
<b>Order code</b>	KIV1028N	CL5.001V Ivory Silk Oil OL101S





# NSK® Ti-Max Pana Air Standard a push

**NPA-SU03**

**HIGH SPEED  
HANDPIECE**



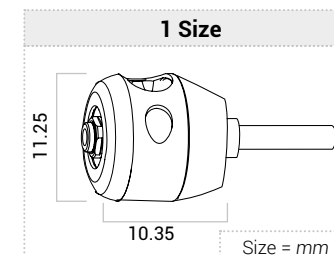
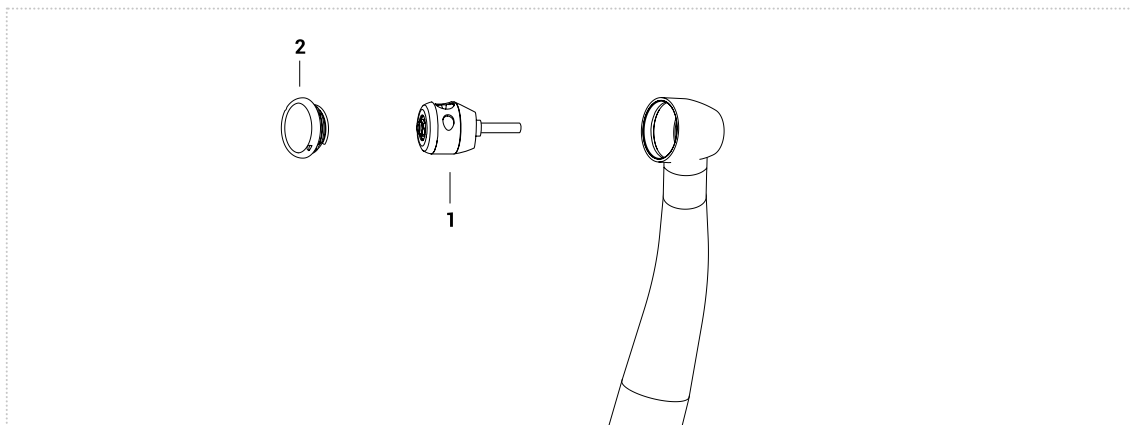
		
	<b>1</b>	<b>2</b>
	<b>Complete rotor</b>	<b>Push button</b>
<b>Order code</b>	HNK90P	AVAILABLE ON REQUEST



<b>RELATED PRODUCTS</b>	
	
<b>Adapter for all spindles</b>	<b>Lubrication</b>
<b>Order code</b>	CL5.001V Ivory Silk Oil OL101S

# NSK® Ti-Max Pana Air Torque

**NPA-TU03**

**HIGH SPEED  
HANDPIECE**



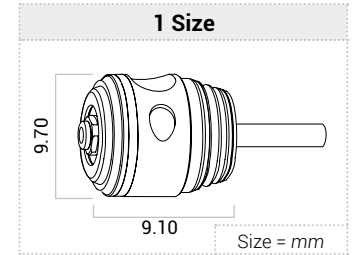
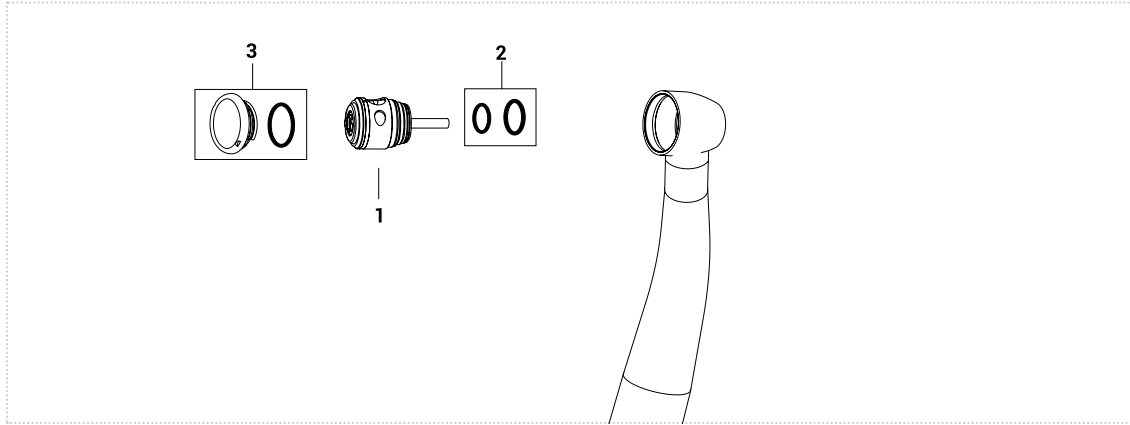
		
	<b>1</b>	<b>2</b>
	<b>Complete rotor</b>	<b>Push button</b>
<b>Order code</b>	HNK85T	PIV85PAT

<b>RELATED PRODUCTS</b>	
	
<b>Adapter for all spindles</b>	<b>Lubrication</b>
<b>Order code</b>	CL5.001V
	Ivory Silk Oil OL101S

# NSK® Ti-Max Phatelus Mach-Lite 2M-A200

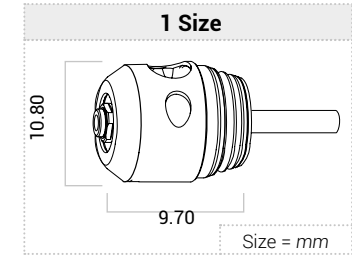
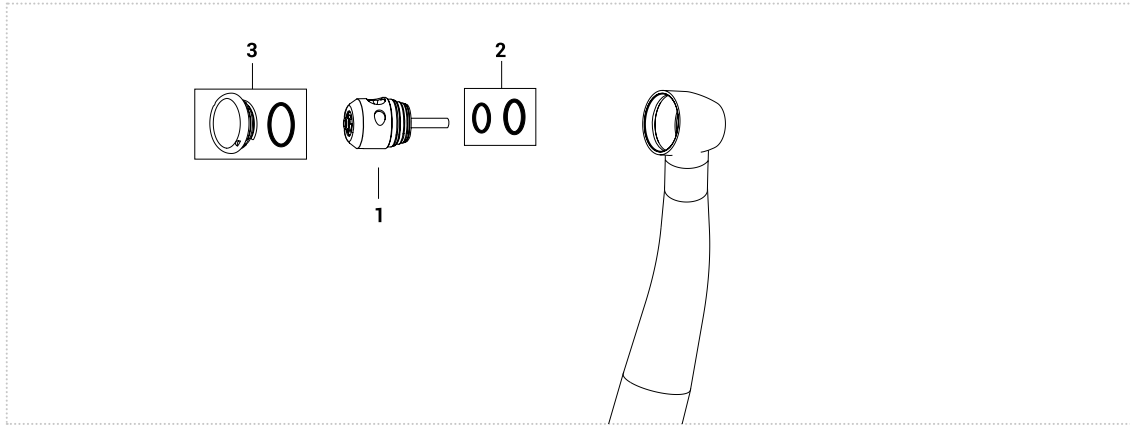
**NMC-MU03**

**HIGH SPEED  
HANDPIECE**



			
	<b>1</b>	<b>2</b>	<b>3</b>
	<b>Complete rotor</b>	<b>O-ring spray big</b>	<b>Push button</b>
<b>Order code</b>	HNK896	AVAILABLE ON REQUEST	AVAILABLE ON REQUEST

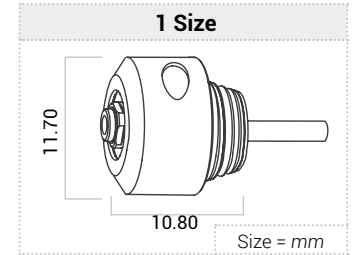
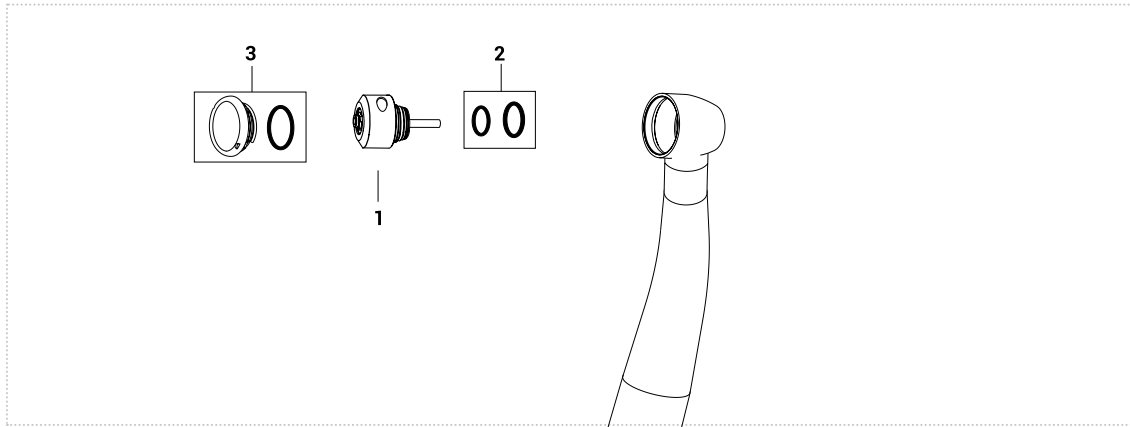
RELATED PRODUCTS			
			
<b>Push button key</b>	<b>Adapter for spindles</b>	<b>Lubrication</b>	
<b>Order code</b>	KIV2050S	CL5.001V	LIV1020 Ivory Silk Oil OL101S



	1	2	3
	Complete rotor	O-ring spray big	Push button
Order code	HNK897	AVAILABLE ON REQUEST	PIV300ML

RELATED PRODUCTS

				
	Push button key	Adapter for spindles	Lubrication	
Order code	KIV2050S	CL5.001V	LIV1020	Ivory Silk Oil OL101S

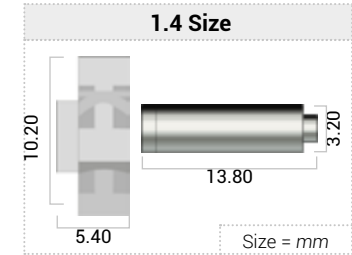
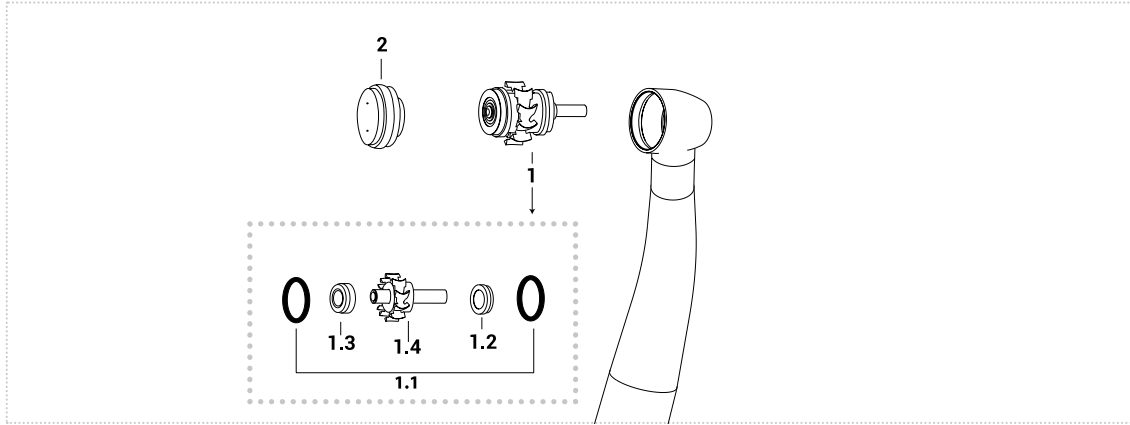








	1	2	3
	<b>Complete rotor</b>	<b>O-ring spray big</b>	<b>Push button</b>
<b>Order code</b>	HNK898	AVAILABLE ON REQUEST	PIV400ML

RELATED PRODUCTS			
			
<b>Push button key</b>	<b>Adapter for spindles</b>	<b>Lubrication</b>	
<b>Order code</b>	KIV2050S	CL5.001V	LIV1020 Ivory Silk Oil OL101S





# Sirona® TS1 - TS2 - 4000S

**HIGH SPEED  
HANDPIECE**



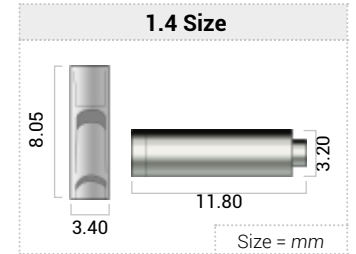
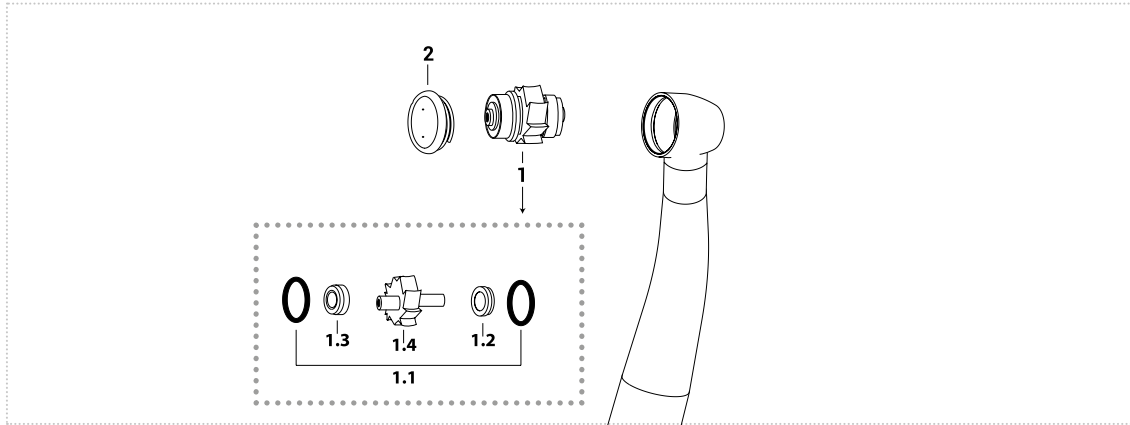
						
	1	1.1	1.2	1.3	1.4	2
	Complete rotor	O-ring kit 10 pcs	Bearing type (burs side)	Bearing type (push side)	Rotor without bearings	Push button
Order code	R024S	OR1K	CU6K	CU6K	SC024S	PIV1025S
	RC024S		CU6CC	CU6CC		
	R024B		CUB6B	CUB6B		
	RT24C		CUC99K	CUC99K		

1.2 - 1.3								
	Bearing	Size d.i./d.e/h(mm)	Cage	Balls	Contact	Abec	Brand	Type
Order code	CU6K	3,175X6,350X2,779	Torlon	Steel	Radial	7	Tecnomed Italia	Groove
	CU6CC	3,175X6,350X2,779	Torlon	Ceramic	Radial	7	Tecnomed Italia	Groove
	CUB6B	3,175X6,350X2,779	Fenolic	Steel	Radial	7	Myonic	Groove
	CUC99K	3,175X6,350X2,779	Fenolic	Ceramic	Radial	7	Myonic	Groove

RELATED PRODUCTS			
			
Push button Key for 2 holes	Adapter for spindles	Lubrication	
Order code	KIV2051S	CL5.001V	LIV1017 Ivory Silk Oil OL101S

# Sirona® TM1 - TM2 - 4000M

**HIGH SPEED  
HANDPIECE**



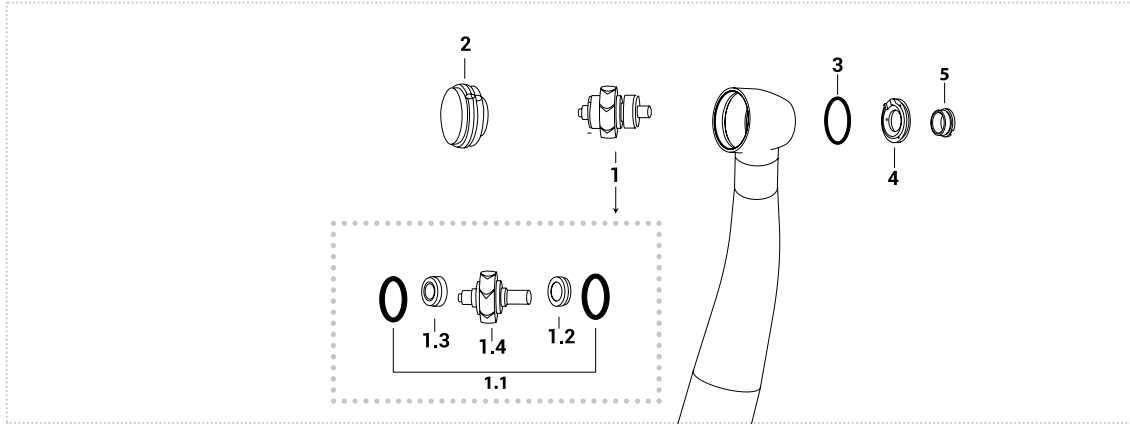
	<b>1</b>	<b>1.1</b>	<b>1.2</b>	<b>1.3</b>	<b>1.4</b>	<b>2</b>
	<b>Complete rotor</b>	<b>O-ring kit 10 pcs</b>	<b>Bearing type (burs side)</b>	<b>Bearing type (push side)</b>	<b>Rotor without bearings</b>	<b>Push button</b>
<b>Order code</b>	R040S RC045S	OR1K	CU61S CU61CC	CU61S CU61CC	SC40S	NOT AVAILABLE

1.2 - 1.3								
	Bearing	Size d.i/d. e/h(mm)	Cage	Balls	Contact	Abec	Brand	Type
<b>Order code</b>	CU61S	2,380X6,350X2,380	Torlon	Steel	Radial	7	Tecnomed Italia	Groove
	CU61CC	2,380X6,350X2,380	Torlon	Ceramic	Radial	7	Tecnomed Italia	Groove

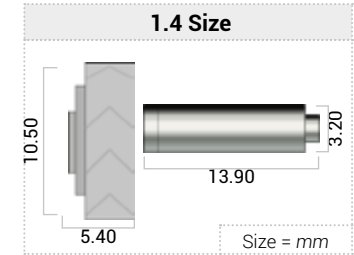
RELATED PRODUCTS			
<b>Push button Key for 2 holes</b>	<b>Adapter for spindles</b>	<b>Lubrication</b>	
<b>Order code</b>	KIV2051S	CL5.001V	LIV1017 Ivory Silk Oil OL101S

# Sirona® T1\* - TC3 Control

**HIGH SPEED  
HANDPIECE**



**\*push with 3 cuts**



	<b>1</b>	<b>1.1</b>	<b>1.2</b>	<b>1.3</b>	<b>1.4</b>	<b>2</b>	<b>3</b>	<b>4</b>	<b>5</b>
	<b>Complete rotor</b>	<b>O-ring kit 10 pcs</b>	<b>Bearing type (burs side)</b>	<b>Bearing type (push side)</b>	<b>Rotor without bearings</b>	<b>Push button</b>	<b>O-ring spray</b>	<b>Cover spray</b>	<b>Cover spray screw</b>
<b>Order code</b>	R035S	OR1K	CU6K	CU6K	SC035S	PIV1049S	704TM3854	NOT AVAILABLE	585TM5890
	RT35CH		CU6CC	CU6CC					
	R035TK		CUB6B	CUB6B					
	RC035S		CUC99K	CUC99K					

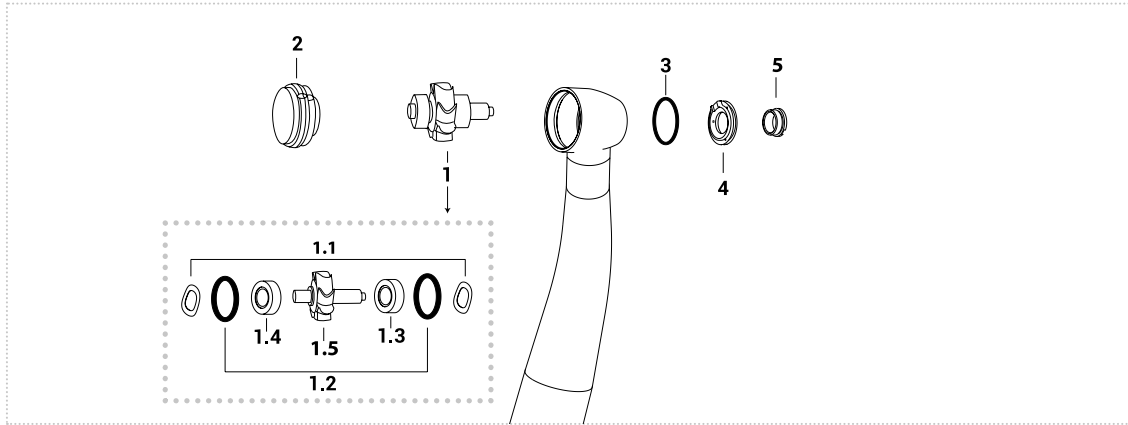
1.2 - 1.3								
Order code	Bearing	Size d.i/d.e/h(mm)	Cage	Balls	Contact	Abec	Brand	Type
	CU6K	3,175X6,350X2,779	Torlon	Steel	Radial	7	Tecnomed Italia	Groove
	CU6CC	3,175X6,350X2,779	Torlon	Ceramic	Radial	7	Tecnomed Italia	Groove
	CUB6B	3,175X6,350X2,779	Fenolic	Steel	Radial	7	Myonic	Groove
	CUC99K	3,175X6,350X2,779	Fenolic	Ceramic	Radial	7	Myonic	Groove

RELATED PRODUCTS			
<b>Push button Key</b>	<b>Adapter for spindles</b>	<b>Lubrication</b>	
<b>Order code</b>	KE1033	CL5.001V	LIV1017 Ivory Silk Oil OL101S



# Sirona® T1-T2 Control\* - B.A Interantional BA670LKS

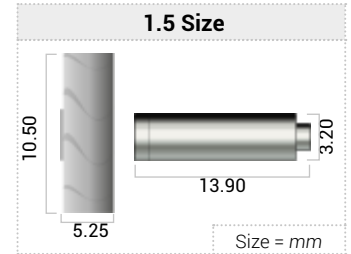
**HIGH SPEED  
HANDPIECE**



\*Push with 2 cuts



VIDEO TUTORIAL



	1	1.1	1.2	1.3	1.4	1.5	2	3	4	5
	<b>Complete rotor</b>	<b>Spring washer</b>	<b>O-ring kit 10 pcs</b>	<b>Bearing type (burs side)</b>	<b>Bearing type (push side)</b>	<b>Rotor without bearings</b>	<b>Push button</b>	<b>O-ring spray</b>	<b>Cover spray</b>	<b>Cover spray screw</b>
<b>Order code</b>	R02T RT22CH RT22T R02TC	SA300F	OR66K	CN01B CN11BC CN11T CB11BC	CN01B CN11BC CN11T CB11BC	SC02S	PIV1037S	704TM3854	NOT AVAIL- LABLE	585TM5890

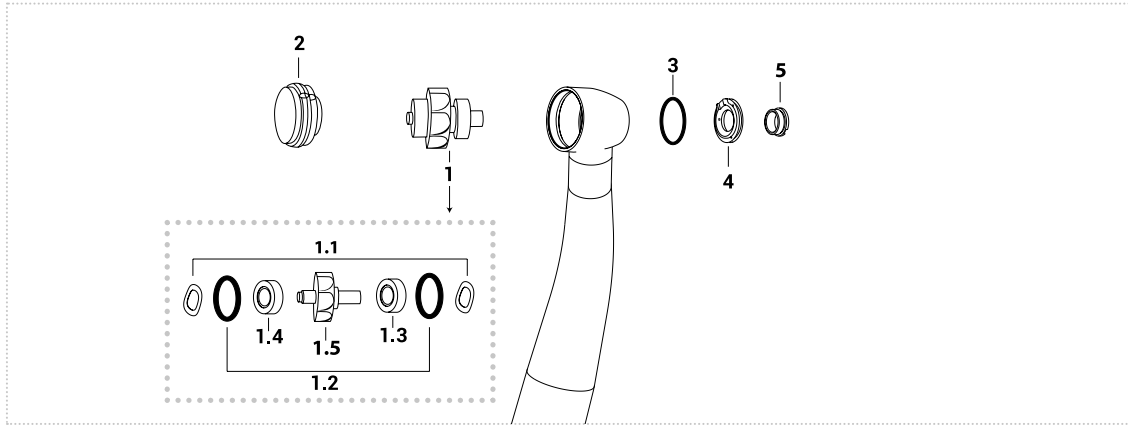
1.3 - 1.4								
	Bearing	Size d.i./d.e/h(mm)	Cage	Balls	Contact	Abec	Brand	Type
<b>Order code</b>	CN01B	3,175X6,350X2,779	Torlon	Steel	Radial	7	Tecnomed Italia	Smooth
	CN11BC	3,175X6,350X2,779	Torlon	Ceramic	Radial	7	Tecnomed Italia	Smooth
	CN11T	3,175X6,350X2,779	Fenolic	Steel	Radial	7	Myonic	Smooth
	CB11BC	3,175X6,350X2,779	Fenolic	Ceramic	Radial	7	Myonic	Smooth

RELATED PRODUCTS			
<b>Push button Key for 3 slots</b>	<b>Adapter for spindles</b>	<b>Lubrication</b>	
<b>Order code</b>	KIV2050S	CL5.001V	LIV1017 Ivory Silk Oil OL101S

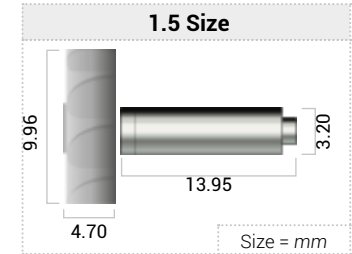


# Sirona® T2 Racer - Siroboost S/T - B.A. International BA695L/BA755L - Fona 8080L SR

**HIGH SPEED  
HANDPIECE**



**VIDEO TUTORIAL**



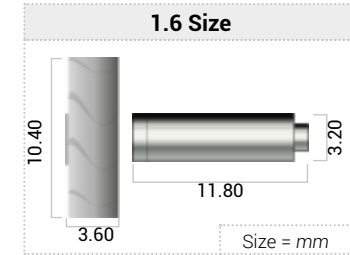
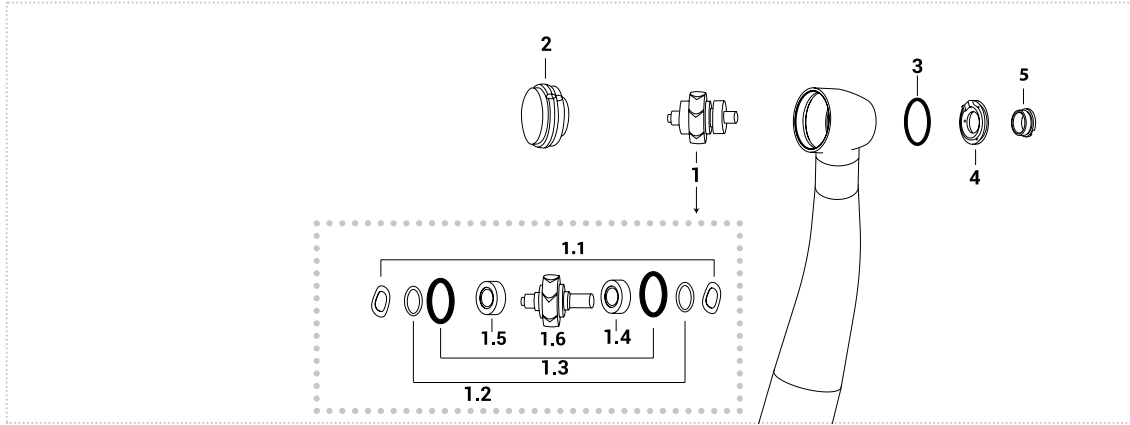
	<b>1</b>	<b>1.1</b>	<b>1.2</b>	<b>1.3</b>	<b>1.4</b>	<b>1.5</b>	<b>2</b>	<b>3</b>	<b>4</b>	<b>5</b>
	<b>Complete rotor</b>	<b>Spring washer</b>	<b>O-ring kit 10 pcs</b>	<b>Bearing type (burs side)</b>	<b>Bearing type (push side)</b>	<b>Rotor without bearings</b>	<b>Push button</b>	<b>O-ring spray</b>	<b>Cover spray</b>	<b>Cover spray screw</b>
<b>Order code</b>	R046R	SA300F	OR1K	CN01B	CN01B	SC46S	PIV1048S	704TM3854	NOT AVAILABLE	585TM5890
	R046CH			CN11BC	CN11BC					
	R046RB			CN11T	CN11T					
	R046RC			CB11BC	CB11BC					

1.3 - 1.4								
<b>Order code</b>	<b>Bearing</b>	<b>Size d.i./d.e/h(mm)</b>	<b>Cage</b>	<b>Balls</b>	<b>Contact</b>	<b>Abec</b>	<b>Brand</b>	<b>Type</b>
	CN01B	3,175X6,350X2,779	Torlon	Steel	Radial	7	Tecnomed Italia	Smooth
	CN11BC	3,175X6,350X2,779	Torlon	Ceramic	Radial	7	Tecnomed Italia	Smooth
	CN11T	3,175X6,350X2,779	Fenolic	Steel	Radial	7	Myonic	Smooth
	CB11BC	3,175X6,350X2,779	Fenolic	Ceramic	Radial	7	Myonic	Smooth

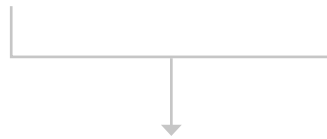
## RELATED PRODUCTS

<b>Push button Key for 3 slots</b>	<b>Adapter for spindles</b>	<b>Lubrication</b>	
<b>Order code</b>	KIV2050S	CL5.001V	LIV1017 Ivory Silk Oil OL101S

\*SN < 700 000



	<b>1</b>	<b>1.1</b>	<b>1.2</b>	<b>1.3</b>	<b>1.4</b>	<b>1.5</b>	<b>1.6</b>	<b>2</b>	<b>3</b>	<b>4</b>	<b>5</b>
	<b>Complete rotor</b>	<b>Spring washer</b>	<b>Teflon washer</b>	<b>O-ring kit 10 pcs</b>	<b>Bearing type (burs side)</b>	<b>Bearing type (push side)</b>	<b>Rotor without bearings</b>	<b>Push button</b>	<b>O-ring spray</b>	<b>Cover spray</b>	<b>Cover spray screw</b>
<b>Order code</b>	R050T	636TM7648	NOT AVAILABLE	OR1K	CN02A	CN02A	SC050S	PIV1052SN	704TM3854	NOT AVAILABLE	585TM5890
	R050TK				CB22BC	CB22BC					



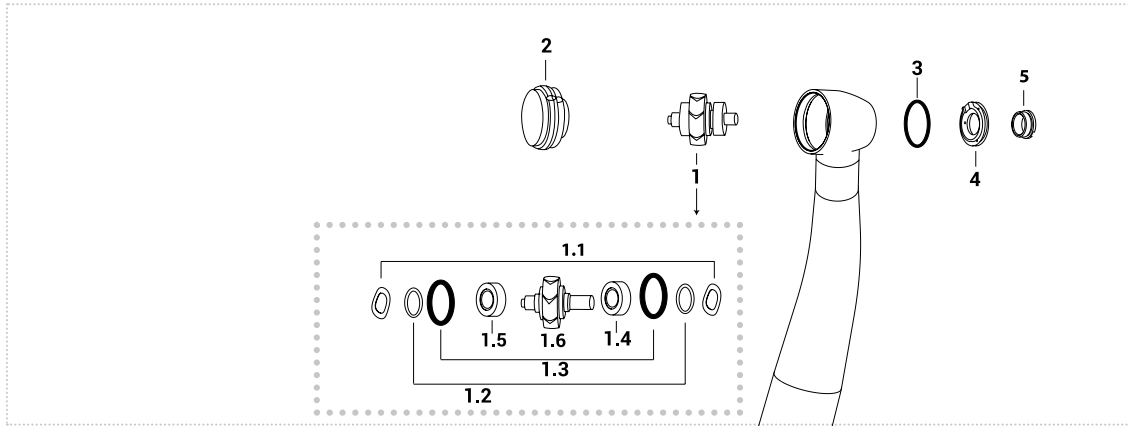
1.4 - 1.5								
<b>Order code</b>	<b>Bearing</b>	<b>Size d.i./d.e/h(mm)</b>	<b>Cage</b>	<b>Balls</b>	<b>Contact</b>	<b>Abec</b>	<b>Brand</b>	<b>Type</b>
	CB22BC	3,175X6,350X2,380	Fenolic	Ceramic	Radial	7	Myonic	Smooth
	CN02A	3,175X6,350X2,380	Torlon	Steel	Radial	7	Tecnomed Italia	Smooth

<b>RELATED PRODUCTS</b>			
<b>Push button Key</b>	<b>Adapter for spindles</b>	<b>Lubrication</b>	
<b>Order code</b>	KE1033	CL5.001V	LIV1017 Ivory Silk Oil OL101S

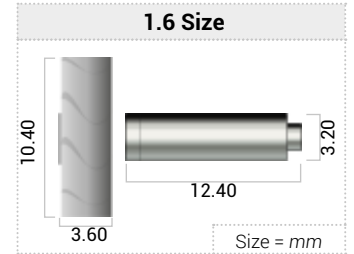
# Sirona® T2/T3 Boost\*

**HIGH SPEED  
HANDPIECE**

\*SN > 700 000



**VIDEO TUTORIAL**



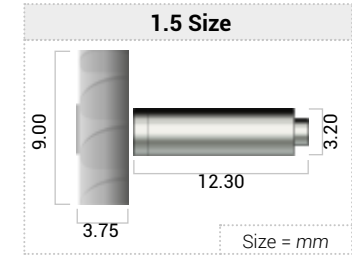
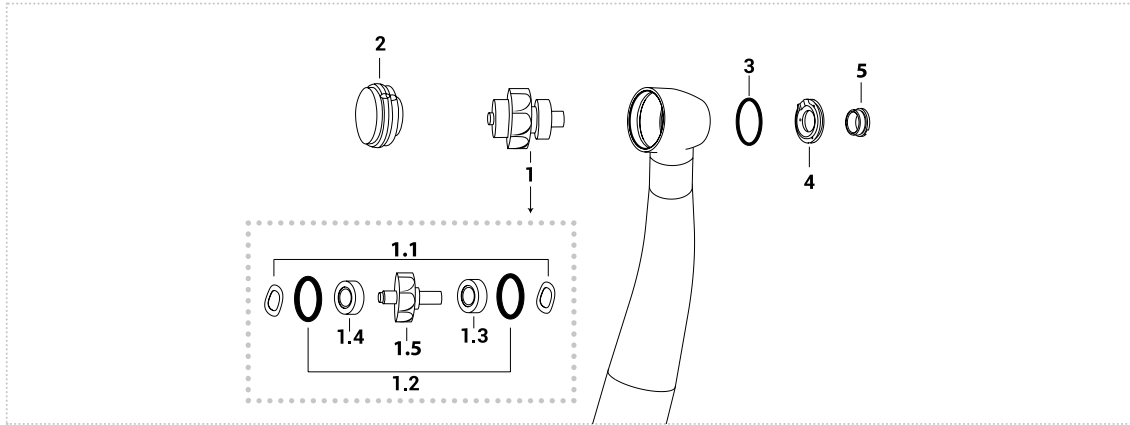
	<b>1</b>	<b>1.1</b>	<b>1.2</b>	<b>1.3</b>	<b>1.4</b>	<b>1.5</b>	<b>1.6</b>	<b>2</b>	<b>3</b>	<b>4</b>	<b>5</b>
	<b>Complete rotor</b>	<b>Spring washer</b>	<b>Teflon washer</b>	<b>O-ring kit 10 pcs</b>	<b>Bearing type (burs side)</b>	<b>Bearing type (push side)</b>	<b>Rotor without bearings</b>	<b>Push button</b>	<b>O-ring spray</b>	<b>Cover spray</b>	<b>Cover spray screw</b>
<b>Order code</b>	R050TN	636TM7648	NOT AVAILABLE	OR1K	CN02A	CN02A	SC050SN	PIV1052SN	704TM3854	NOT AVAILABLE	585TM5890
	R050TKN				CB22BC	CB22BC					

1.4 - 1.5								
	<b>Bearing</b>	<b>Size d.i/d.e/h(mm)</b>	<b>Cage</b>	<b>Balls</b>	<b>Contact</b>	<b>Abec</b>	<b>Brand</b>	<b>Type</b>
<b>Order code</b>	CB22BC	3,175X6,350X2,380	Fenolic	Ceramic	Radial	7	Myonic	Smooth
	CN02A	3,175X6,350X2,380	Torlon	Steel	Radial	7	Tecnomed Italia	Smooth

<b>RELATED PRODUCTS</b>			
<b>Push button Key</b>	<b>Adapter for spindles</b>	<b>Lubrication</b>	
<b>Order code</b>	KE1033	CL5.001V	LIV1017 Ivory Silk Oil OL101S

# Sirona® T2 Mini - B.A. International BA678LKS/BA758L

**HIGH SPEED  
HANDPIECE**



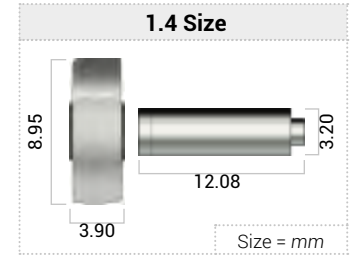
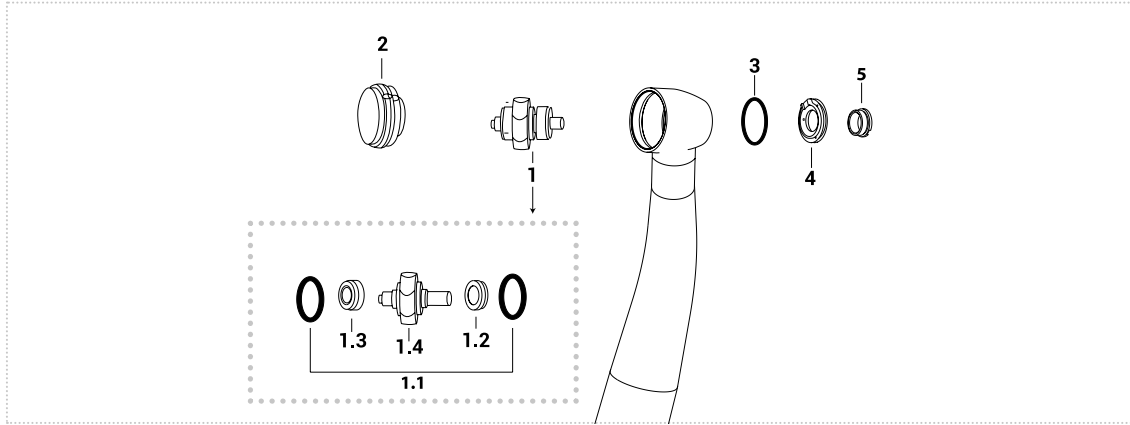
	<b>1</b>	<b>1.1</b>	<b>1.2</b>	<b>1.3</b>	<b>1.4</b>	<b>1.5</b>	<b>2</b>	<b>3</b>	<b>4</b>	<b>5</b>
	<b>Complete rotor</b>	<b>Spring washer</b>	<b>O-ring kit 10 pcs</b>	<b>Bearing type (burs side)</b>	<b>Bearing type (push side)</b>	<b>Rotor without bearings</b>	<b>Push button</b>	<b>O-ring spray</b>	<b>Cover spray</b>	<b>Cover spray screw</b>
<b>Order code</b>	R027M	SA300F	OR66K	CN11BC	CN11BC	SC027	PIV1050S	704TM3854	NOT AVAILABLE	585TM5890

1.3 - 1.4								
	Bearing	Size d.i./d.e/h(mm)	Cage	Balls	Contact	Abec	Brand	Type
<b>Order code</b>	CN11BC	3,175X6,350X2,779	Torlon	Ceramic	Radial	7	Tecnomed Italia	Smooth

RELATED PRODUCTS			
<b>Push button Key for 3 slots</b>	<b>Adapter for spindles</b>	<b>Lubrication</b>	
<b>Order code</b>	KIV2050S	CL5.001V	LIV1017 Ivory Silk Oil OL101S

# Sirona® T1 Mini

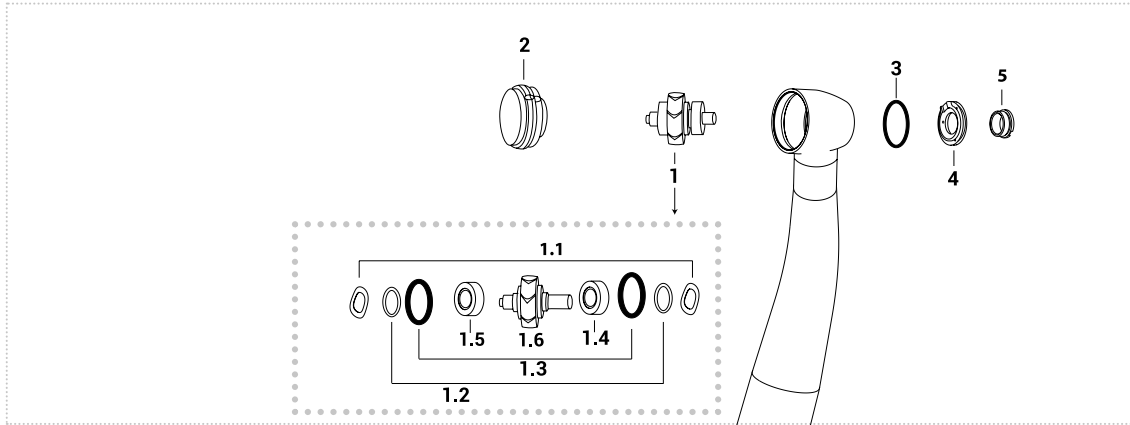
**HIGH SPEED  
HANDPIECE**



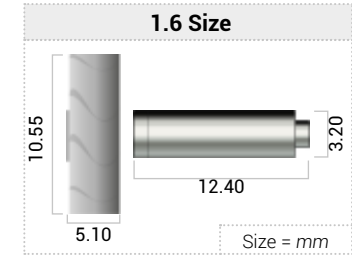
	<b>1</b>	<b>1.1</b>	<b>1.2</b>	<b>1.3</b>	<b>1.4</b>	<b>2</b>	<b>3</b>	<b>4</b>	<b>5</b>
	<b>Complete rotor</b>	<b>O-ring kit 10 pcs</b>	<b>Bearing type (burs side)</b>	<b>Bearing type (push side)</b>	<b>Rotor without bearings</b>	<b>Push button</b>	<b>O-ring spray</b>	<b>Cover spray</b>	<b>Cover spray screw</b>
<b>Order code</b>	R028M	OR1K	CU60SK	CU60SK	SC028S	PIV1051S	704TM3854	NOT AVAILABLE	585TM5890

	<b>1.2 - 1.3</b>							
	<b>Bearing</b>	<b>Size d.i/d.e/h(mm)</b>	<b>Cage</b>	<b>Balls</b>	<b>Contact</b>	<b>Abec</b>	<b>Brand</b>	<b>Type</b>
<b>Order code</b>	CN11BC	3,175X6,350X2,779	Torlon	Ceramic	Radial	7	Tecnomed Italia	Smooth

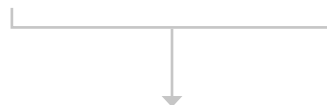
	<b>RELATED PRODUCTS</b>			
<b>Order code</b>	NOT AVAILABLE	CL5.001V	LIV1017	Ivory Silk Oil OL101S



\*Push with 3 cuts



	<b>1</b>	<b>1.1</b>	<b>1.2</b>	<b>1.3</b>	<b>1.4</b>	<b>1.5</b>	<b>1.6</b>	<b>2</b>	<b>3</b>	<b>4</b>	<b>5</b>
	<b>Complete rotor</b>	<b>Spring washer</b>	<b>Teflon washer</b>	<b>O-ring kit 10 pcs</b>	<b>Bearing type (burs side)</b>	<b>Bearing type (push side)</b>	<b>Rotor without bearings</b>	<b>Push button</b>	<b>O-ring spray</b>	<b>Cover spray</b>	<b>Cover spray screw</b>
<b>Order code</b>	R054T	636TM7648	NOT AVAILABLE	OR1K	CN02A	CN02A	SC054S	PIV1052S	704TM3854	NOT AVAILABLE	585TM5890
	R054TK				CB22BC	CB22BC					



		1.4 - 1.5							
		Bearing	Size d.i/d.e/h(mm)	Cage	Balls	Contact	Abec	Brand	Type
<b>Order code</b>	CB22BC		3,175X6,350X2,380	Fenolic	Ceramic	Radial	7	Myonic	Smooth
	CN02A		3,175X6,350X2,380	Torlon	Steel	Radial	7	Tecnomed Italia	Smooth

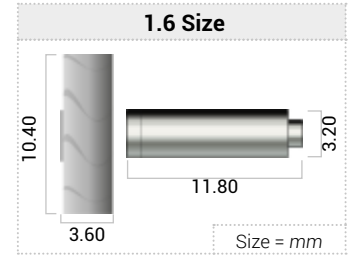
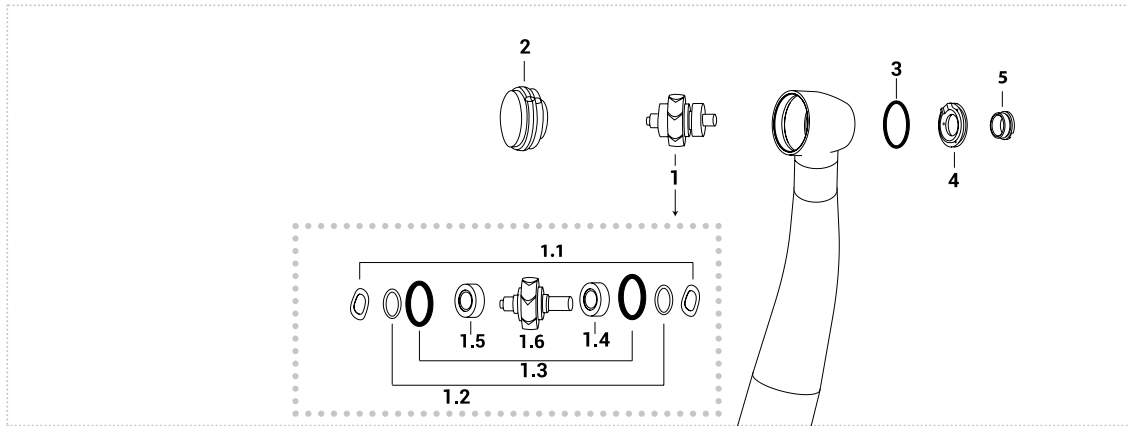
RELATED PRODUCTS			
<b>Push button Key</b>	<b>Adapter for spindles</b>	<b>Lubrication</b>	
<b>Order code</b>	KE1033	CL5.001V	LIV1017 Ivory Silk Oil OL101S



# Sirona® T2 Boost\* Enjoy

**HIGH SPEED  
HANDPIECE**

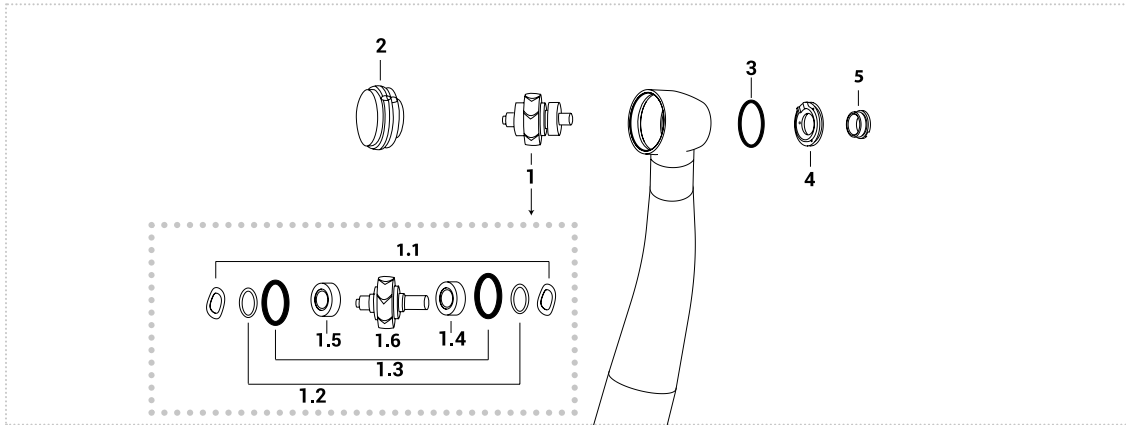
**\*Push with 3 cuts**



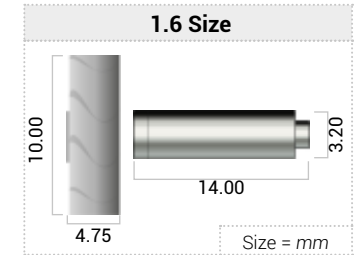
	<b>1</b>	<b>1.1</b>	<b>1.2</b>	<b>1.3</b>	<b>1.4</b>	<b>1.5</b>	<b>1.6</b>	<b>2</b>	<b>3</b>	<b>4</b>	<b>5</b>
	<b>Complete rotor</b>	<b>Spring washer</b>	<b>Teflon washer</b>	<b>O-ring kit 10 pcs</b>	<b>Bearing type (burs side)</b>	<b>Bearing type (push side)</b>	<b>Rotor without bearings</b>	<b>Push button</b>	<b>O-ring spray</b>	<b>Cover spray</b>	<b>Cover spray screw</b>
<b>Order code</b>	R055T	636TM7648	NOT AVAILABLE	OR1K	CN02A	CN02A	SC055S	NOT AVAILABLE	704TM3854	NOT AVAILABLE	585TM5890
	R055TK				CB22BC	CB22BC					

1.4 - 1.5								
	<b>Bearing</b>	<b>Size d.i/d.e/h(mm)</b>	<b>Cage</b>	<b>Balls</b>	<b>Contact</b>	<b>Abec</b>	<b>Brand</b>	<b>Type</b>
<b>Order code</b>	CB22BC	3,175X6,350X2,380	Fenolic	Ceramic	Radial	7	Myonic	Smooth
	CN02A	3,175X6,350X2,380	Torlon	Steel	Radial	7	Tecnomed Italia	Smooth

RELATED PRODUCTS			
<b>Push button Key</b>	<b>Adapter for spindles</b>	<b>Lubrication</b>	
<b>Order code</b>	KE1033	CL5.001V	LIV1017 Ivory Silk Oil OL101S



\*Push with 3 cuts



	<b>1</b>	<b>1.1</b>	<b>1.2</b>	<b>1.3</b>	<b>1.4</b>	<b>1.5</b>	<b>1.6</b>	<b>2</b>	<b>3</b>	<b>4</b>	<b>5</b>
	<b>Complete rotor</b>	<b>Spring washer</b>	<b>Teflon washer</b>	<b>O-ring kit 10 pcs</b>	<b>Bearing type (burs side)</b>	<b>Bearing type (push side)</b>	<b>Rotor without bearings</b>	<b>Push button</b>	<b>O-ring spray</b>	<b>Cover spray</b>	<b>Cover spray screw</b>
<b>Order code</b>	R463S	SA300F	NOT AVAILABLE	OR1K	CN01B	CN01B	SC463S	PIV1055S	704TM3854	NOT AVAILABLE	585TM5890
	R463SK				CB11BC	CB11BC					

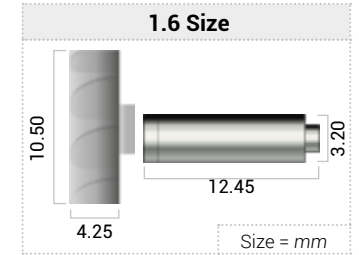
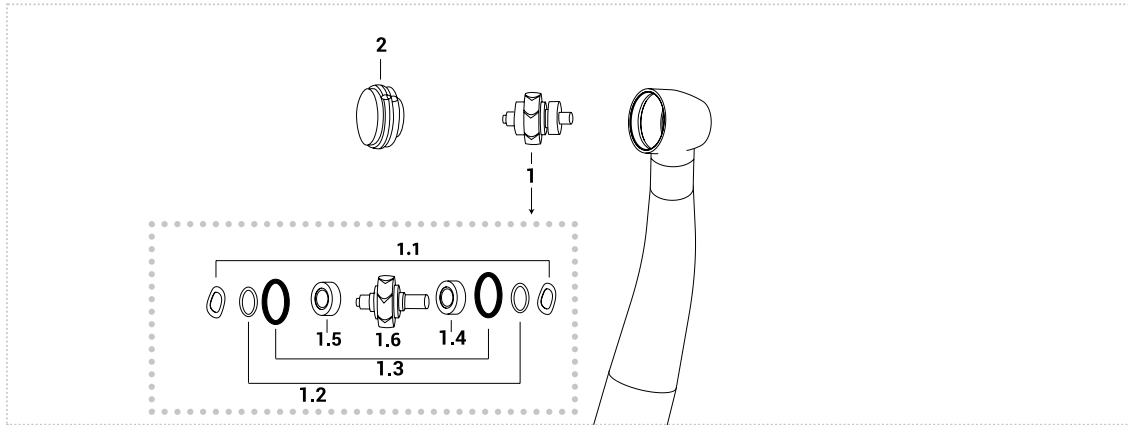
1.4 - 1.5								
<b>Order code</b>	<b>Bearing</b>	<b>Size d.i./d.e/h(mm)</b>	<b>Cage</b>	<b>Balls</b>	<b>Contact</b>	<b>Abec</b>	<b>Brand</b>	<b>Type</b>
	CN01B	3,175X6,350X2,779	Torlon	Steel	Radial	7	Tecnomed Italia	Smooth
	CB11BC	3,175X6,350X2,779	Fenolic	Ceramic	Radial	7	Myonic	Smooth

RELATED PRODUCTS			
<b>Push button Key</b>	<b>Adapter for spindles</b>	<b>Lubrication</b>	
<b>Order code</b>	KIV1033M	CL5.001V	LIV1017 Ivory Silk Oil OL101S

# Sirona® T3-T4 Racer\*

**HIGH SPEED  
HANDPIECE**

\*SN> 600.000



	<b>1</b>	<b>1.1</b>	<b>1.2</b>	<b>1.3</b>	<b>1.4</b>	<b>1.5</b>	<b>1.6</b>	<b>2</b>
	<b>Complete rotor</b>	<b>Spring washer</b>	<b>Teflon washer</b>	<b>O-ring kit 10 pcs</b>	<b>Bearing type (burs side)</b>	<b>Bearing type (push side)</b>	<b>Rotor without bearings</b>	<b>Push button</b>
<b>Order code</b>	R461S	SA300F	NOT AVAILABLE	OR1K	CN02A	CN02A	SC461S	PIV1056S
	R461SK				CB22BC	CB22BC		

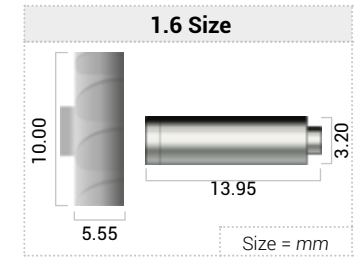
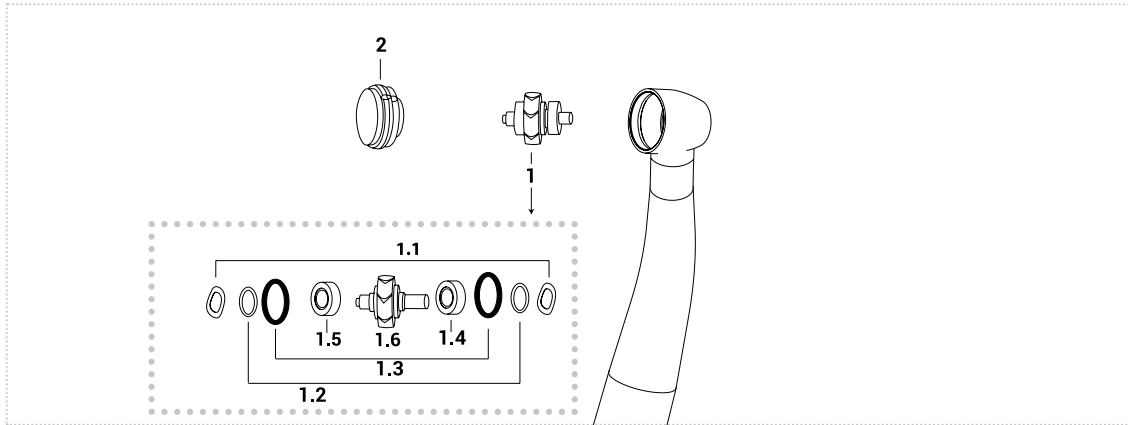
1.4 - 1.5								
<b>Order code</b>	<b>Bearing</b>	<b>Size d.i./d.e/h(mm)</b>	<b>Cage</b>	<b>Balls</b>	<b>Contact</b>	<b>Abec</b>	<b>Brand</b>	<b>Type</b>
	CN02A	3,175X6,350X2,380	Torlon	Steel	Radial	7	Tecnomed Italia	Smooth
	CB22BC	3,175X6,350X2,380	Fenolic	Ceramic	Radial	7	Myonic	Smooth

RELATED PRODUCTS			
<b>Push button Key</b>	<b>Adapter for spindles</b>	<b>Lubrication</b>	
<b>Order code</b>	KE1033	CL5.001V	LIV1017 Ivory Silk Oil OL101S

# Sirona® T4 Racer\*

\*SN<600.000

**HIGH SPEED  
HANDPIECE**



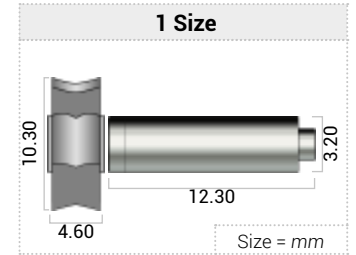
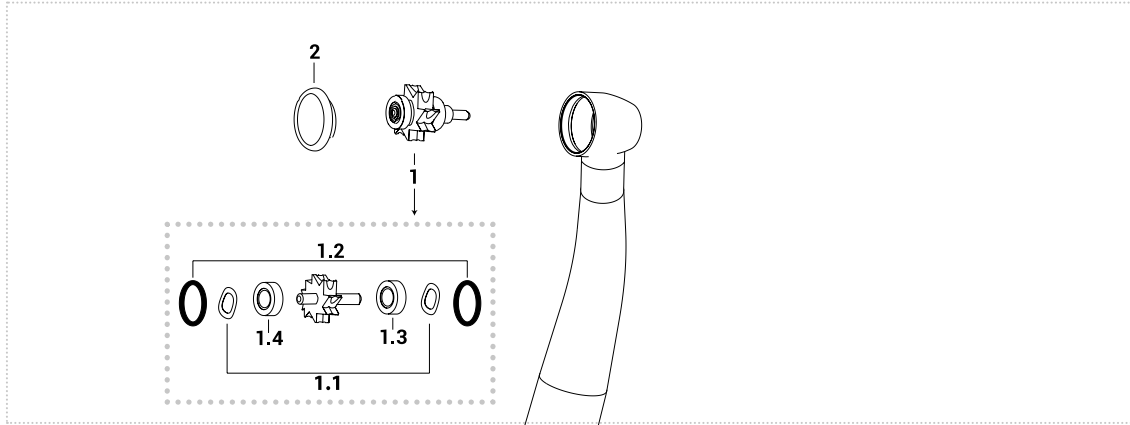
	<b>1</b>	<b>1.1</b>	<b>1.2</b>	<b>1.3</b>	<b>1.4</b>	<b>1.5</b>	<b>1.6</b>	<b>2</b>
	<b>Complete rotor</b>	<b>Spring washer</b>	<b>Teflon washer</b>	<b>O-ring kit 10 pcs</b>	<b>Bearing type (burs side)</b>	<b>Bearing type (push side)</b>	<b>Rotor without bearings</b>	<b>Push button</b>
<b>Order code</b>	R462S R462SK	SA300F	NOT AVAILABLE	OR1K	CN01B CB11BC	CN01B CB11BC	SC462S	PIV1048S

1.4 - 1.5								
	Bearing	Size d.i./d.e/h(mm)	Cage	Balls	Contact	Abec	Brand	Type
<b>Order code</b>	CN01B	3,175X6,350X2,779	Torlon	Steel	Radial	7	Tecnomed Italia	Smooth
	CB11BC	3,175X6,350X2,779	Fenolic	Ceramic	Radial	7	Myonic	Smooth

RELATED PRODUCTS			
<b>Push button key</b>	<b>Adapter for spindles</b>	<b>Lubrication</b>	
<b>Order code</b>	KIV2050S	CL5.001V	LIV1017 Ivory Silk Oil OL101S

# TKD® Bravia

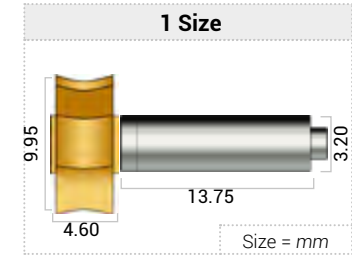
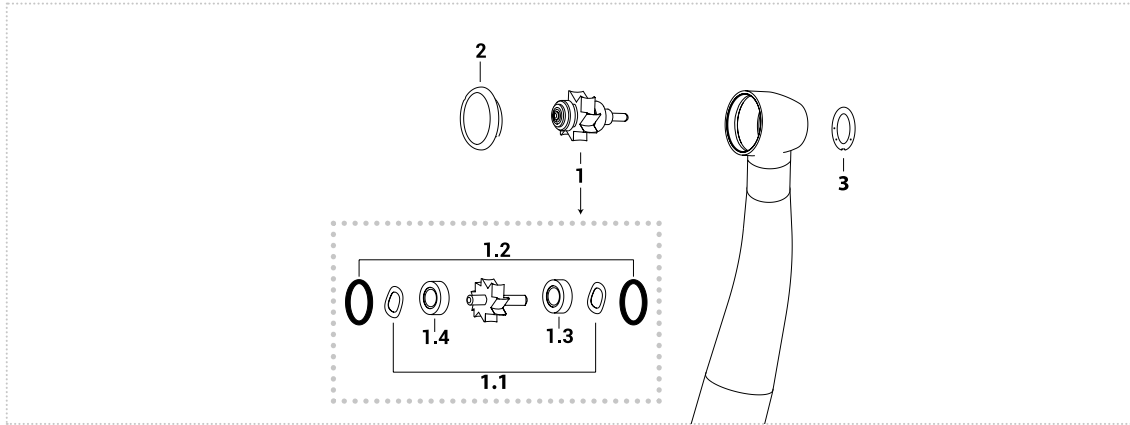
**HIGH SPEED  
HANDPIECE**










	<b>1</b>	<b>1.1</b>	<b>1.2</b>	<b>1.3</b>	<b>1.4</b>	<b>2</b>
	<b>Complete rotor</b>	<b>Spring washer</b>	<b>O-ring kit 10 pcs</b>	<b>Bearing type (burs side)</b>	<b>Bearing type (push side)</b>	<b>Push button</b>
<b>Order code</b>	162TM90	SA300FO	OR7TK	CN01B	CN01B	PIV1630T

1.3 - 1.4								
	<b>Bearing</b>	<b>Size d.i./d.e/h(mm)</b>	<b>Cage</b>	<b>Balls</b>	<b>Contact</b>	<b>Abec</b>	<b>Brand</b>	<b>Type</b>
<b>Order code</b>	CN01B	3,175X6,350X2,779	Torlon	Steel	Radial	7	Tecnomed Italia	Smooth

RELATED PRODUCTS		
<b>Push button key</b>	<b>Adapter for spindles</b>	<b>Lubrication</b>
<b>Order code</b>	KIV1023TM	CL5.001V
		Ivory Silk Oil OL101S



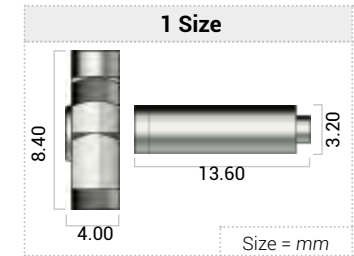
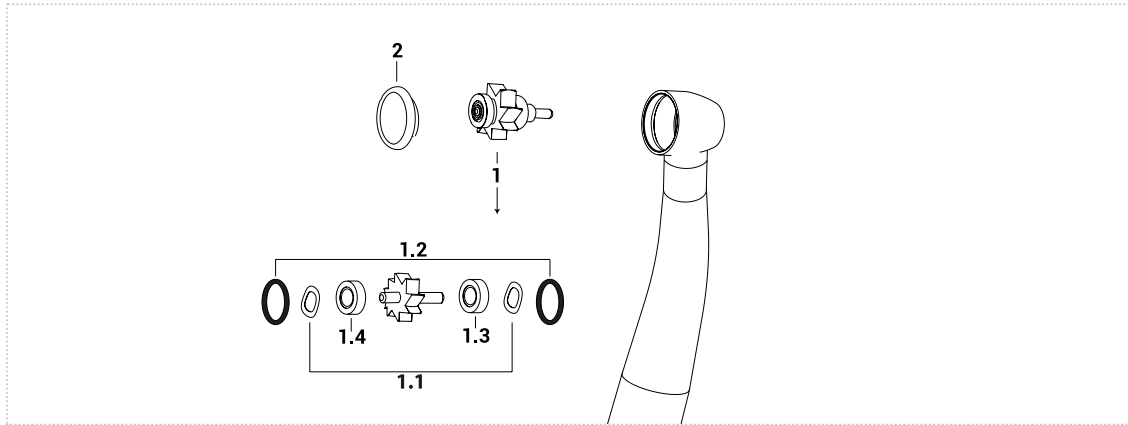
							
	1	1.1	1.2	1.3	1.4	2	3
	Complete rotor	Spring washer	O-ring kit 10 pcs	Bearing type (burs side)	Bearing type (push side)	Push button	O-ring spray
Order code	184.90	SA300FO	OR7TK	CN01B	CN01B	PIV1230T	OR4712

1.3 - 1.4							
Bearing	Size d.i./d.e/h(mm)	Cage	Balls	Contact	Abec	Brand	Type
CN01B	3,175X6,350X2,779	Torlon	Steel	Radial	7	Tecnomed Italia	Smooth

RELATED PRODUCTS		
		
Push button key	Adapter for spindles	Lubrication
Order code	KIV10001	CL5.001V
		Ivory Silk Oil OL101S

# TKD® Micra R/L

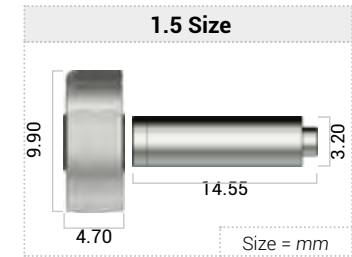
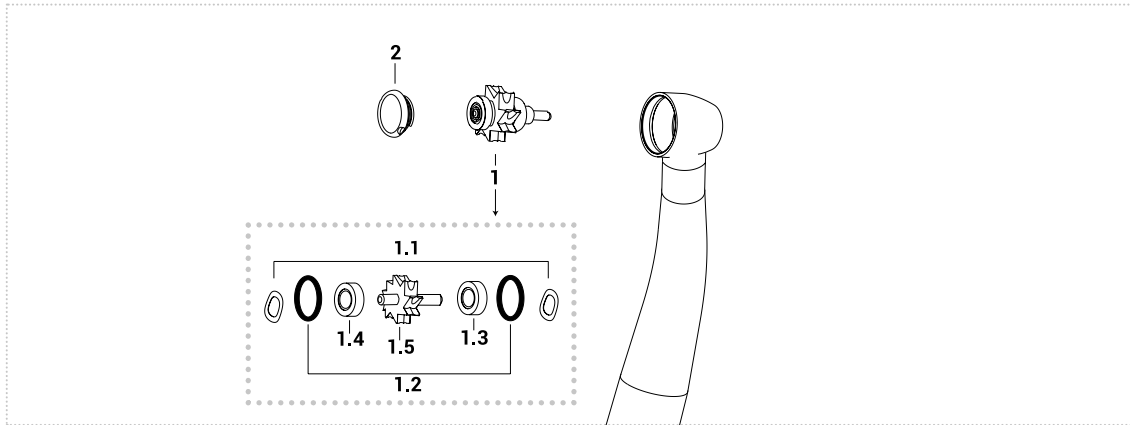
**HIGH SPEED  
HANDPIECE**



	1	1.1	1.2	1.3	1.4	2
	Complete rotor	Spring washer	O-ring kit 10 pcs	Bearing type (burs side)	Bearing type (push side)	Push button
Order code	192TM90	SA300FO	OR7TK	CN01B	CN01B	009.30

1.3 - 1.4								
Order code	Bearing	Size d.i/d.e/h(mm)	Cage	Balls	Contact	Abec	Brand	Type
CN01B		3,175X6,350X2,779	Torlon	Steel	Radial	7	Tecnomed Italia	Smooth

RELATED PRODUCTS		
Push button key	Adapter for spindles	Lubrication
Order code	KIV10001	CL5.001V
		Ivory Silk Oil OL101S



	<b>1</b>	<b>1.1</b>	<b>1.2</b>	<b>1.3</b>	<b>1.4</b>	<b>1.5</b>	<b>2</b>
	<b>Complete rotor</b>	<b>Spring washer</b>	<b>O-ring kit 10 pcs</b>	<b>Bearing type (burs side)</b>	<b>Bearing type (push side)</b>	<b>Rotor without bearings</b>	<b>Push button</b>
<b>Order code</b>	WH01T	SA300F	OR66K	CN01B	CN01B	SC01W	PIV2034W
	WHT04T			CN11BC	CN11BC		

1.3 - 1.4								
	<b>Bearing</b>	<b>Size d.i/d.e/h(mm)</b>	<b>Cage</b>	<b>Balls</b>	<b>Contact</b>	<b>Abec</b>	<b>Brand</b>	<b>Type</b>
<b>Order code</b>	CN01B	3,175X6,350X2,779	Torlon	Steel	Radial	7	Tecnomed Italia	Smooth
	CN11BC	3,175X6,350X2,779	Torlon	Ceramic	Radial	7	Tecnomed Italia	Smooth

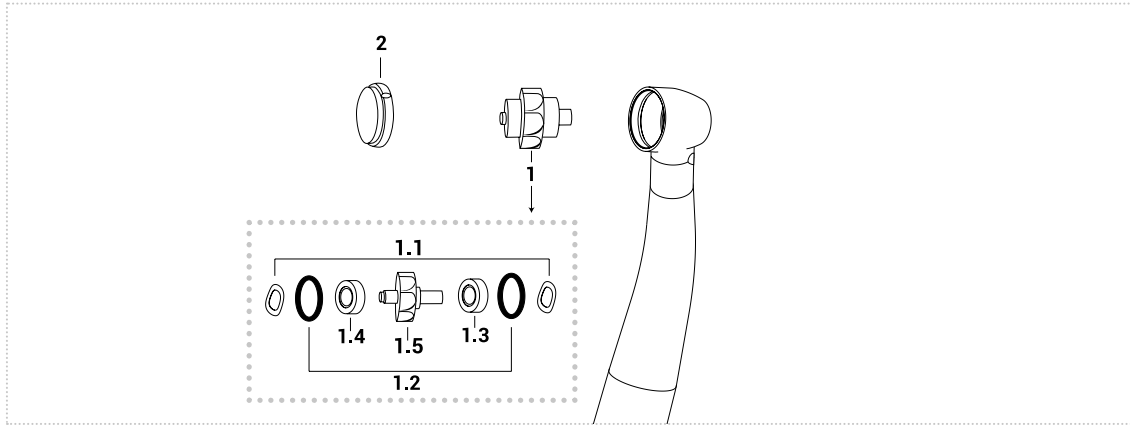
**RELATED PRODUCTS**

<b>Push button key</b>	<b>Adapter for spindles</b>	<b>Lubrication</b>	
<b>Order code</b>	KIV1887W	CL5.001V	LIV1018 Ivory Silk Oil OL101S



# W&H® Synea TA-98 LED\* - Fusion TG-98 / TG-98 LED

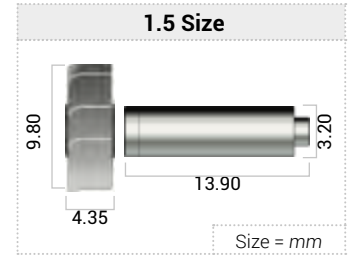
**HIGH SPEED  
HANDPIECE**



\*Push with 3 cuts



**VIDEO TUTORIAL**



	1	1.1	1.2	1.3	1.4	1.5	2
	Complete rotor	Spring washer	O-ring kit 10 pcs	Bearing type (burs side)	Bearing type (push side)	Rotor without bearings	Push button
Order code	WTA98L	SA300F	OR66K	CN01B	CN01B	SC98LW	PIV2021WL
	WTA98C			CN11BC	CN11BC		
	WTA98LC			CN11T	CN11T		
	WTA98LCM			CB11BC	CB11BC		

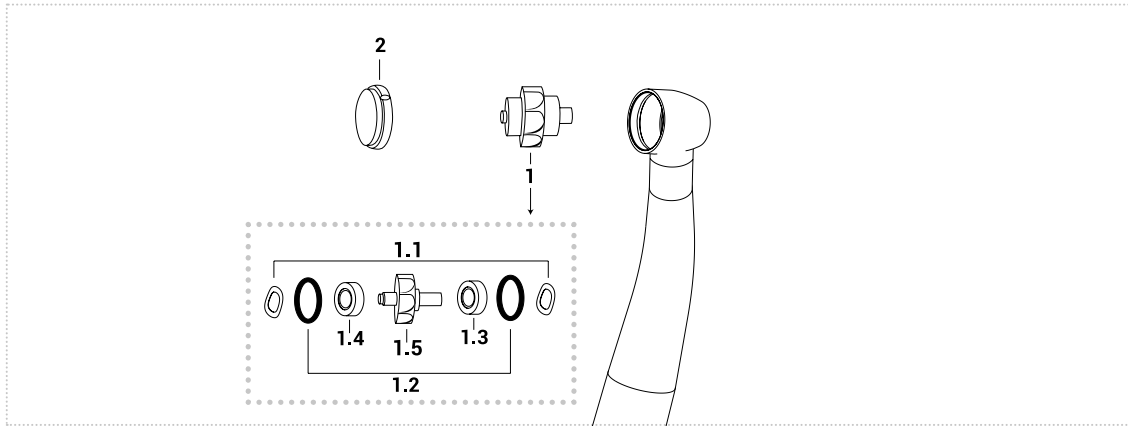
1.3 - 1.4								
	Bearing	Size d.i./d.e/h(mm)	Cage	Balls	Contact	Abec	Brand	Type
Order code	CN01B	3,175X6,350X2,779	Torlon	Steel	Radial	7	Tecnomed Italia	Smooth
	CN11BC	3,175X6,350X2,779	Torlon	Ceramic	Radial	7	Tecnomed Italia	Smooth
	CN11T	3,175X6,350X2,779	Fenolic	Steel	Radial	7	Myonic	Smooth
	CB11BC	3,175X6,350X2,779	Fenolic	Ceramic	Radial	7	Myonic	Smooth

## RELATED PRODUCTS

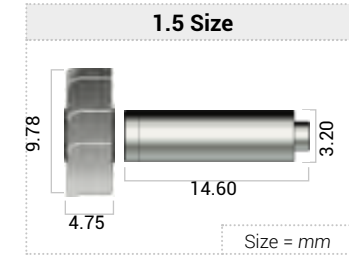
	Push button key for 3 hole	Head expander	Adapter for spindles	Lubrication	
Order code	KIV18LEW	RT028M	CL5.001V	LIV1018	Ivory Silk Oil OL101S

# W&H® Synea TA-98\* - TA-98LC\*

**HIGH SPEED  
HANDPIECE**



\*Push with 2 cuts



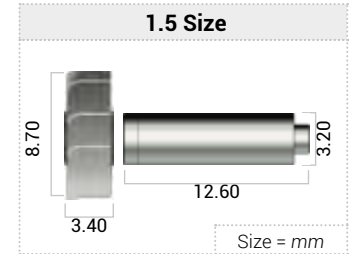
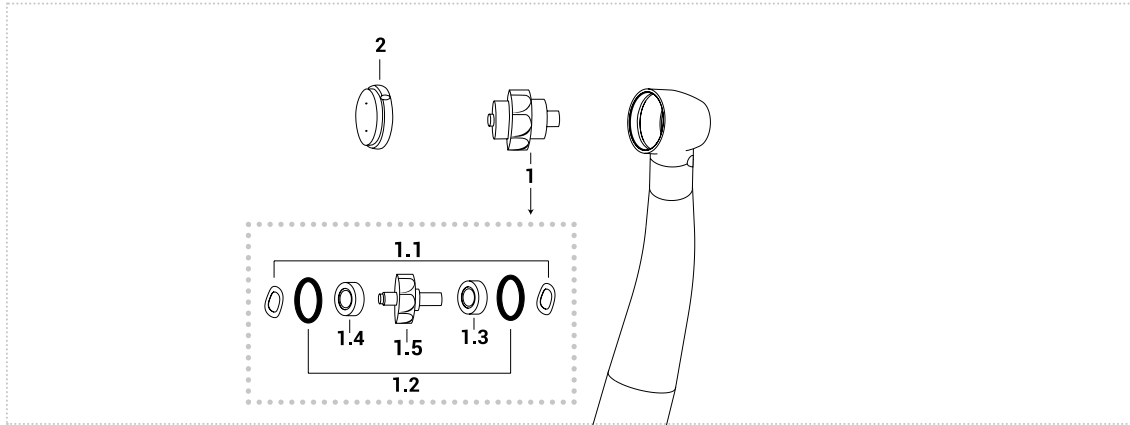
	1	1.1	1.2	1.3	1.4	1.5	2
	<b>Complete rotor</b>	<b>Spring washer</b>	<b>O-ring kit 10 pcs</b>	<b>Bearing type (burs side)</b>	<b>Bearing type (push side)</b>	<b>Rotor without bearings</b>	<b>Push button</b>
<b>Order code</b>	WH02S	SA300F	OR66K	CN01B	CN01B	SC02W	PIV2021W
	WT05CH			CN11BC	CN11BC		
	WT05S			CN11T	CN11T		
	WT05CC			CB11BC	CB11BC		








1.3 - 1.4								
	Bearing	Size d.i./d.e/h(mm)	Cage	Balls	Contact	Abec	Brand	Type
<b>Order code</b>	CN01B	3,175X6,350X2,779	Torlon	Steel	Radial	7	Tecnomed Italia	Smooth
	CN11BC	3,175X6,350X2,779	Torlon	Ceramic	Radial	7	Tecnomed Italia	Smooth
	CN11T	3,175X6,350X2,779	Fenolic	Steel	Radial	7	Myonic	Smooth
	CB11BC	3,175X6,350X2,779	Fenolic	Ceramic	Radial	7	Myonic	Smooth

RELATED PRODUCTS				
<b>Push button Key for 2 hole</b>	<b>Head expanding</b>	<b>Adapter for spindles</b>	<b>Lubrication</b>	
<b>Order code</b>	KIV1885W	RT027M	CL5.001V	LIV1018 Ivory Silk Oil OL101S

# W&H® Synea TA-97/LED - Alegra TE-97 old

**HIGH SPEED  
HANDPIECE**



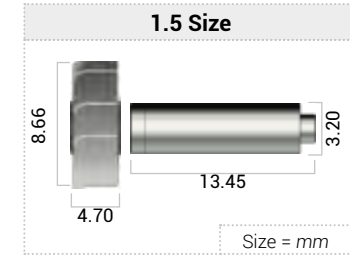
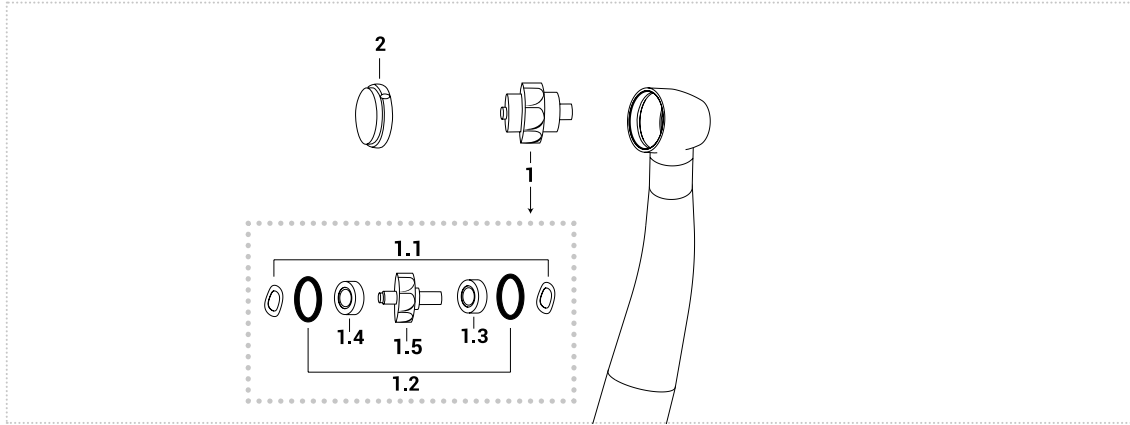
							
	1	1.1	1.2	1.3	1.4	1.5	2
	Complete rotor	Spring washer	O-ring kit 10 pcs	Bearing type (burs side)	Bearing type (push side)	Rotor without bearings	Push button
Order code	WTA97L	SA300F	OR66K	CN01B	CN01B	SC97W	PIV2035W
	WTA97C			CN11BC	CN11BC		
	WTA97LC			CN11T	CN11T		
	WTA97LCM			CB11BC	CB11BC		

1.3 - 1.4								
	Bearing	Size d.i/d.e/h(mm)	Cage	Balls	Contact	Abec	Brand	Type
Order code	CN01B	3,175X6,350X2,779	Torlon	Steel	Radial	7	Tecnomed Italia	Smooth
	CN11BC	3,175X6,350X2,779	Torlon	Ceramic	Radial	7	Tecnomed Italia	Smooth
	CN11T	3,175X6,350X2,779	Fenolic	Steel	Radial	7	Myonic	Smooth
	CB11BC	3,175X6,350X2,779	Fenolic	Ceramic	Radial	7	Myonic	Smooth

RELATED PRODUCTS				
				
Push button key	Adapter for spindles	Lubrication		
Order code	KIV19LEW	CL5.001V	LIV1018	Ivory Silk Oil OL101S

# W&H® Synea TA-96 Mini - Alegra TE-96BC

**HIGH SPEED  
HANDPIECE**



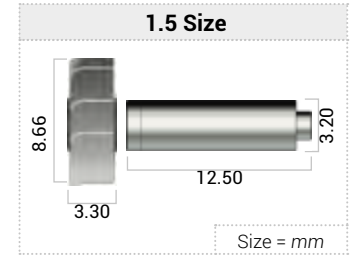
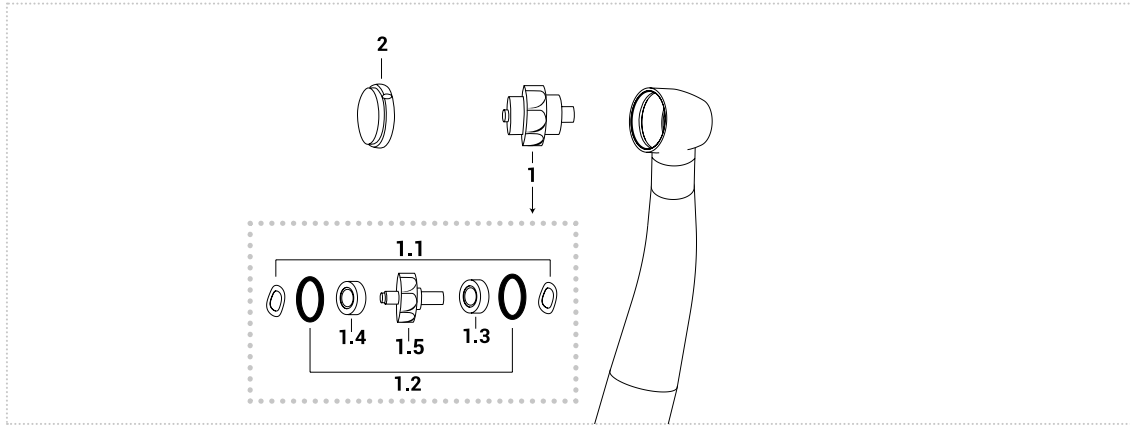
	<b>1</b>	<b>1.1</b>	<b>1.2</b>	<b>1.3</b>	<b>1.4</b>	<b>1.5</b>	<b>2</b>
	<b>Complete rotor</b>	<b>Spring washer</b>	<b>O-ring kit 10 pcs</b>	<b>Bearing type (burs side)</b>	<b>Bearing type (push side)</b>	<b>Rotor without bearings</b>	<b>Push button</b>
<b>Order code</b>	WH035S	SA300F	OR66K	CN01B	CN01B	SC03W	PIV2036W
	WT33CC			CB11BC	CB11BC		

1.3 - 1.4								
	<b>Bearing</b>	<b>Size d.i/d.e/h(mm)</b>	<b>Cage</b>	<b>Balls</b>	<b>Contact</b>	<b>Abec</b>	<b>Brand</b>	<b>Type</b>
<b>Order code</b>	CN01B	3,175X6,350X2,779	Torlon	Steel	Radial	7	Tecnomed Italia	Smooth
	CB11BC	3,175X6,350X2,779	Fenolic	Ceramic	Radial	7	Myonic	Smooth

<b>RELATED PRODUCTS</b>			
<b>Push button key</b>	<b>Adapter for spindles</b>	<b>Lubrication</b>	
<b>Order code</b>	KIV1896W	CL5.001V	LIV1018 Ivory Silk Oil OL101S

# W&H® Synea VISION TK-97

**HIGH SPEED  
HANDPIECE**



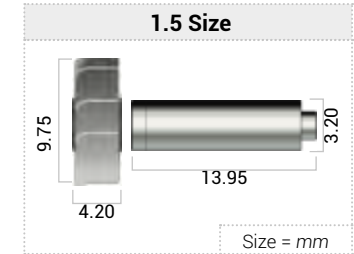
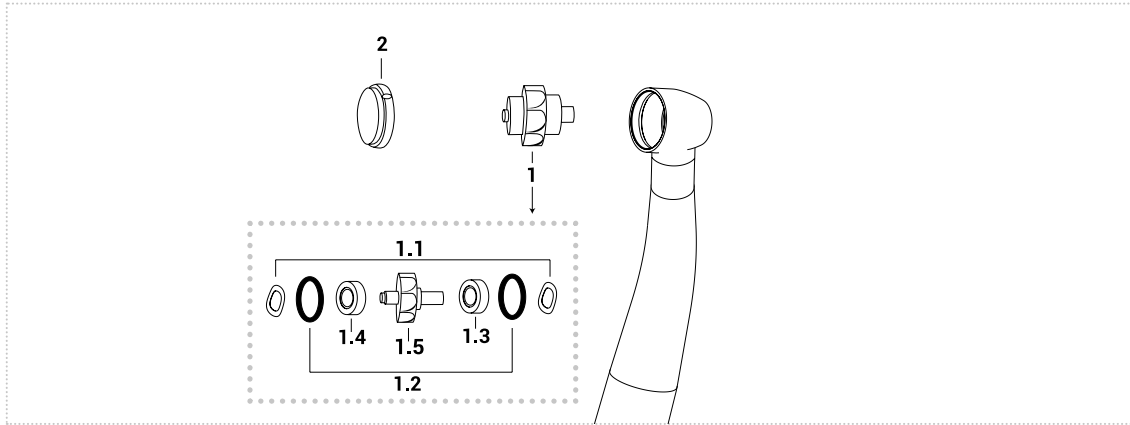
	<b>1</b>	<b>1.1</b>	<b>1.2</b>	<b>1.3</b>	<b>1.4</b>	<b>1.5</b>	<b>2</b>
	<b>Complete rotor</b>	<b>Spring washer</b>	<b>O-ring kit 10 pcs</b>	<b>Bearing type (burs side)</b>	<b>Bearing type (push side)</b>	<b>Rotor without bearings</b>	<b>Push button</b>
<b>Order code</b>	WTA97VLC	SA300F	OR66K	CN11T	CN11T	SC97VW	PIV2047W
	WTA97LCM			CB11BC	CB11BC		

1.3 - 1.4								
<b>Order code</b>	<b>Bearing</b>	<b>Size d.i/d.e/h(mm)</b>	<b>Cage</b>	<b>Balls</b>	<b>Contact</b>	<b>Abec</b>	<b>Brand</b>	<b>Type</b>
	CN11T	3,175X6,350X2,779	Fenolic	Steel	Radial	7	Myonic	Smooth
	CB11BC	3,175X6,350X2,779	Fenolic	Ceramic	Radial	7	Myonic	Smooth

RELATED PRODUCTS			
<b>Push button key</b>	<b>Adapter for spindles</b>	<b>Lubrication</b>	
<b>Order code</b>	KIV19LEW	CL5.001V	LIV1018 Ivory Silk Oil OL101S

# W&H® Synea VISION TK-98

**HIGH SPEED  
HANDPIECE**



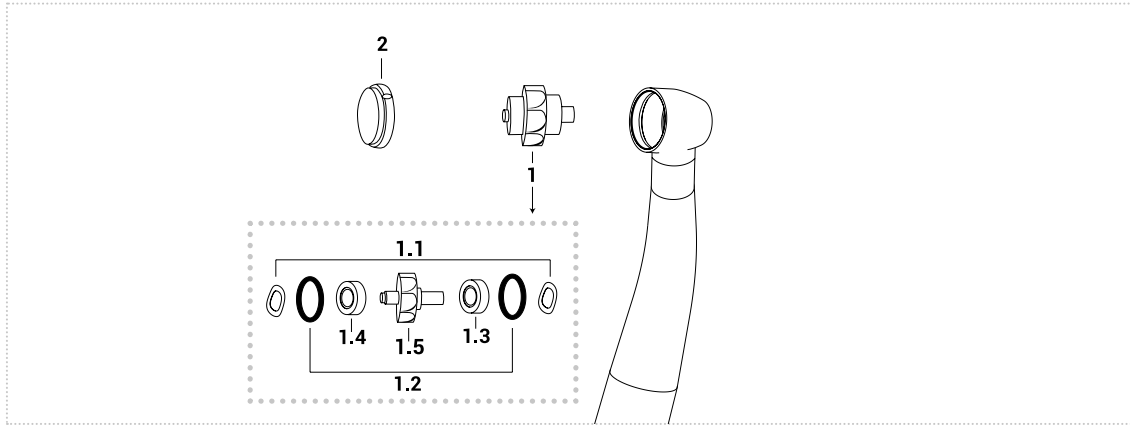
	<b>1</b>	<b>1.1</b>	<b>1.2</b>	<b>1.3</b>	<b>1.4</b>	<b>1.5</b>	<b>2</b>
	<b>Complete rotor</b>	<b>Spring washer</b>	<b>O-ring kit 10 pcs</b>	<b>Bearing type (burs side)</b>	<b>Bearing type (push side)</b>	<b>Rotor without bearings</b>	<b>Push button</b>
<b>Order code</b>	WTA98VLC	SA300F	OR66K	CN11T	CN11T	SC98VW	PIV2048W
	WTA98LCM			CB11BC	CB11BC		

1.3 - 1.4								
<b>Order code</b>	<b>Bearing</b>	<b>Size d.i./d.e/h(mm)</b>	<b>Cage</b>	<b>Balls</b>	<b>Contact</b>	<b>Abec</b>	<b>Brand</b>	<b>Type</b>
	CN11T	3,175X6,350X2,779	Fenolic	Steel	Radial	7	Myonic	Smooth
	CB11BC	3,175X6,350X2,779	Fenolic	Ceramic	Radial	7	Myonic	Smooth

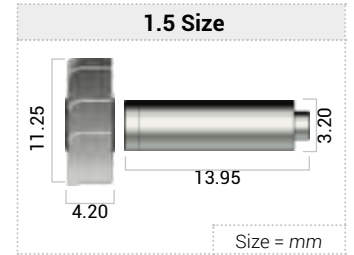
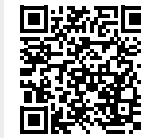
<b>RELATED PRODUCTS</b>			
<b>Push button key &amp; head expander</b>	<b>Adapter for spindles</b>	<b>Lubrication</b>	
<b>Order code</b>	RT028M	CL5.001V	LIV1018 Ivory Silk Oil OL101S

# W&H® Synea VISION TK-100 LM

**HIGH SPEED  
HANDPIECE**



**VIDEO TUTORIAL**

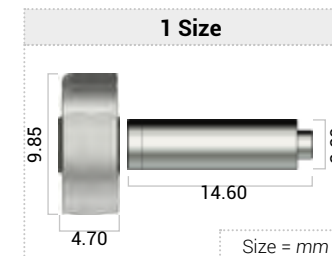
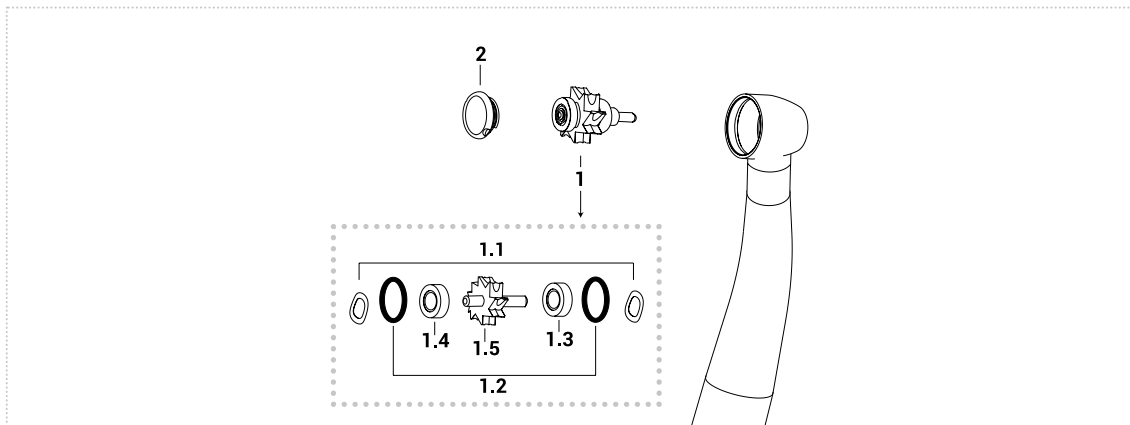


	<b>1</b>	<b>1.1</b>	<b>1.2</b>	<b>1.3</b>	<b>1.4</b>	<b>1.5</b>	<b>2</b>
	<b>Complete rotor</b>	<b>Spring washer</b>	<b>O-ring kit 10 pcs</b>	<b>Bearing type (burs side)</b>	<b>Bearing type (push side)</b>	<b>Rotor without bearings</b>	<b>Push button</b>
<b>Order code</b>	WTA99LC	SA300F	OR66K	CN11T	CN11T	SC99W	PIV2046W
	WTA99LCM			CB11BC	CB11BC		

1.3 - 1.4								
<b>Order code</b>	<b>Bearing</b>	<b>Size d.i/d.e/h(mm)</b>	<b>Cage</b>	<b>Balls</b>	<b>Contact</b>	<b>Abec</b>	<b>Brand</b>	<b>Type</b>
	CN11T	3,175X6,350X2,779	Fenolic	Steel	Radial	7	Myonic	Smooth
	CB11BC	3,175X6,350X2,779	Fenolic	Ceramic	Radial	7	Myonic	Smooth

## RELATED PRODUCTS

<b>Push button Key</b>	<b>Adapter for spindles</b>	<b>Lubrication</b>	
<b>Order code</b>	KE1033	CL5.001V	LIV1018 Ivory Silk Oil OL101S



	<b>1</b>	<b>1.1</b>	<b>1.2</b>	<b>1.3</b>	<b>1.4</b>	<b>1.5</b>	<b>2</b>
	<b>Complete rotor</b>	<b>Spring washer</b>	<b>O-ring kit 10 pcs</b>	<b>Bearing type (burs side)</b>	<b>Bearing type (push side)</b>	<b>Rotor without bearings</b>	<b>Push button</b>
<b>Order code</b>	WHX98N	SA300F	OR66K	CN01B	CN01B	SC98W	PIV2034W
	WTX98CH			CN11BC	CN11BC		
	WTX98N			CN11T	CN11T		
	WTX98CC			CB11BC	CB11BC		

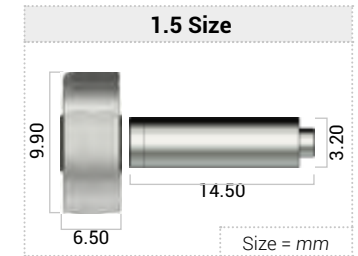
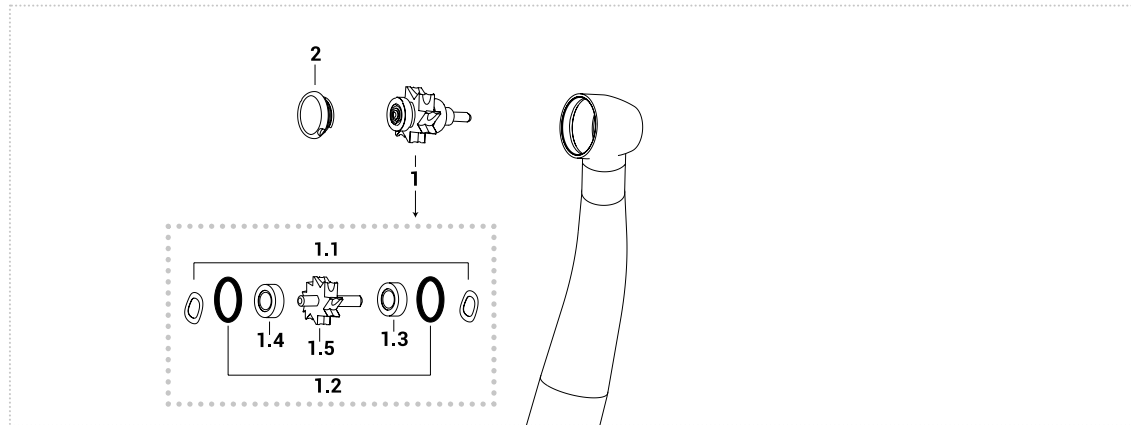
1.3 - 1.4								
	<b>Bearing</b>	<b>Size d.i/d.e/h(mm)</b>	<b>Cage</b>	<b>Balls</b>	<b>Contact</b>	<b>Abec</b>	<b>Brand</b>	<b>Type</b>
<b>Order code</b>	CN01B	3,175X6,350X2,779	Torlon	Steel	Radial	7	Tecnomed Italia	Smooth
	CN11BC	3,175X6,350X2,779	Torlon	Ceramic	Radial	7	Tecnomed Italia	Smooth
	CN11T	3,175X6,350X2,779	Fenolic	Steel	Radial	7	Myonic	Smooth
	CB11BC	3,175X6,350X2,779	Fenolic	Ceramic	Radial	7	Myonic	Smooth

<b>RELATED PRODUCTS</b>			
<b>Push button key</b>	<b>Adapter for spindles</b>	<b>Lubrication</b>	
<b>Order code</b>	KIV1887W	CL5.001V	LIV1018 Ivory Silk Oil OL101S



# W&H® 290B - 295 - 390 - 393 - 395 - 695

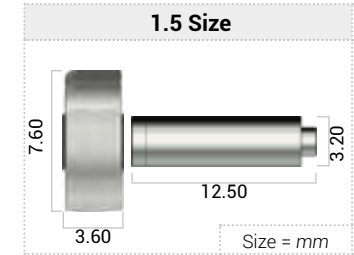
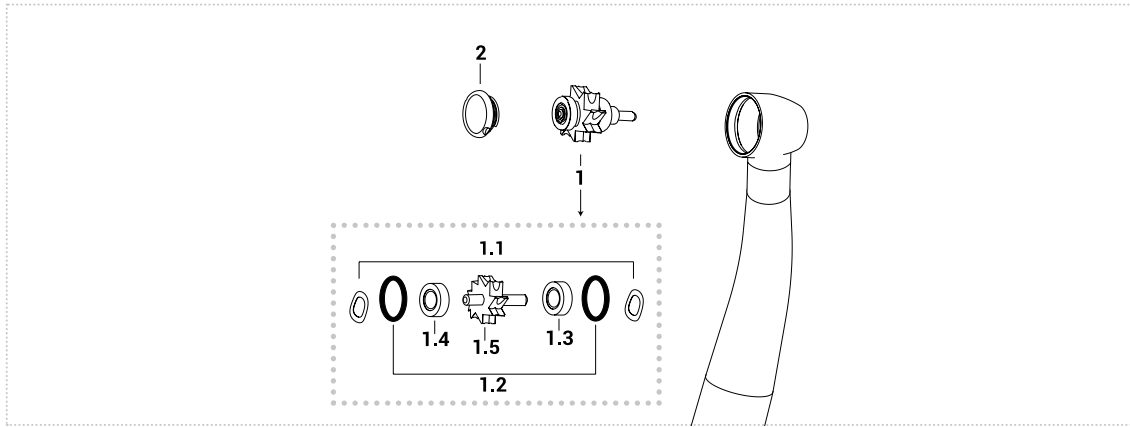
**HIGH SPEED  
HANDPIECE**



	<b>1</b>	<b>1.1</b>	<b>1.2</b>	<b>1.3</b>	<b>1.4</b>	<b>1.5</b>	<b>2</b>
	<b>Complete rotor</b>	<b>Spring washer</b>	<b>O-ring kit 10 pcs</b>	<b>Bearing type (burs side)</b>	<b>Bearing type (push side)</b>	<b>Rotor without bearings</b>	<b>Push button</b>
<b>Order code</b>	WT39XNT WH39XN	SA300F	OR66K	CN02A CB22BC	CN02A CB22BC	SC95W	PIV2013W

1.3 - 1.4								
	<b>Bearing</b>	<b>Size d.i/d.e/h(mm)</b>	<b>Cage</b>	<b>Balls</b>	<b>Contact</b>	<b>Abec</b>	<b>Brand</b>	<b>Type</b>
<b>Order code</b>	CN02A	3,175X6,350X2,380	Torlon	Steel	Radial	7	Tecnomed Italia	Smooth
	CB22BC	3,175X6,350X2,380	Fenolic	Ceramic	Radial	7	Myonic	Smooth

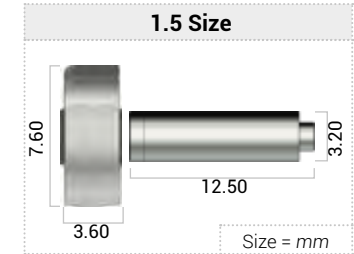
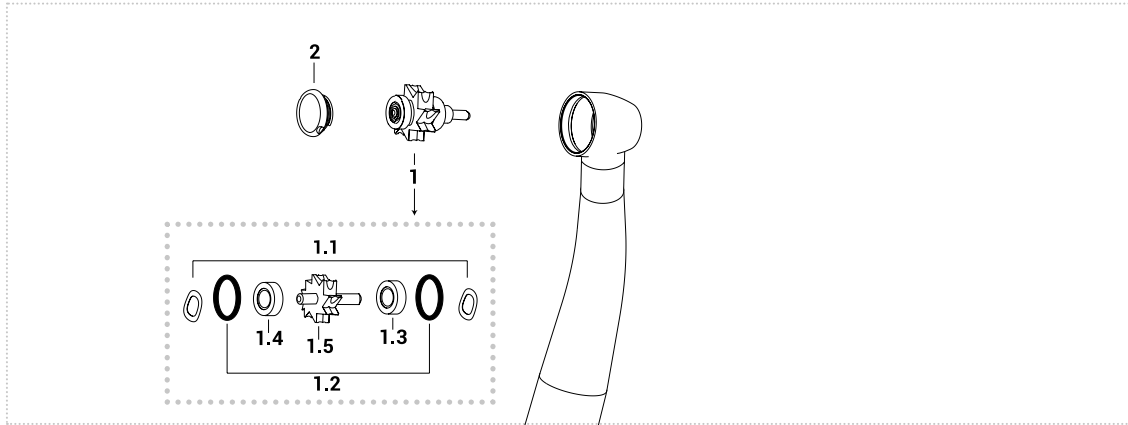
RELATED PRODUCTS			
<b>Push button key</b>	<b>Adapter for spindles</b>	<b>Lubrication</b>	
<b>Order code</b>	KIV1897W	CL5.001V	LIV1018 Ivory Silk Oil OL101S



	<b>1</b>	<b>1.1</b>	<b>1.2</b>	<b>1.3</b>	<b>1.4</b>	<b>1.5</b>	<b>2</b>
	<b>Complete rotor</b>	<b>Spring washer</b>	<b>O-ring kit 10 pcs</b>	<b>Bearing type (burs side)</b>	<b>Bearing type (push side)</b>	<b>Rotor without bearings</b>	<b>Push button</b>
<b>Order code</b>	WH86A WH86T	SA300F	OR66K	CN01B CN11T	CN01B CN11T	SC86W	PIV2023W

1.3 - 1.4								
	<b>Bearing</b>	<b>Size d.i./d.e/h(mm)</b>	<b>Cage</b>	<b>Balls</b>	<b>Contact</b>	<b>Abec</b>	<b>Brand</b>	<b>Type</b>
<b>Order code</b>	CN01B	3,175X6,350X2,779	Torlon	Steel	Radial	7	Tecnomed Italia	Smooth
	CN11T	3,175X6,350X2,779	Fenolic	Steel	Radial	7	Myonic	Smooth

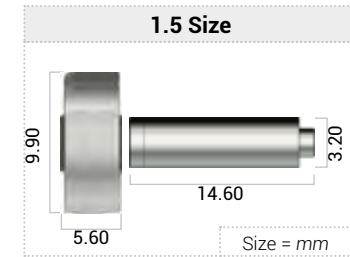
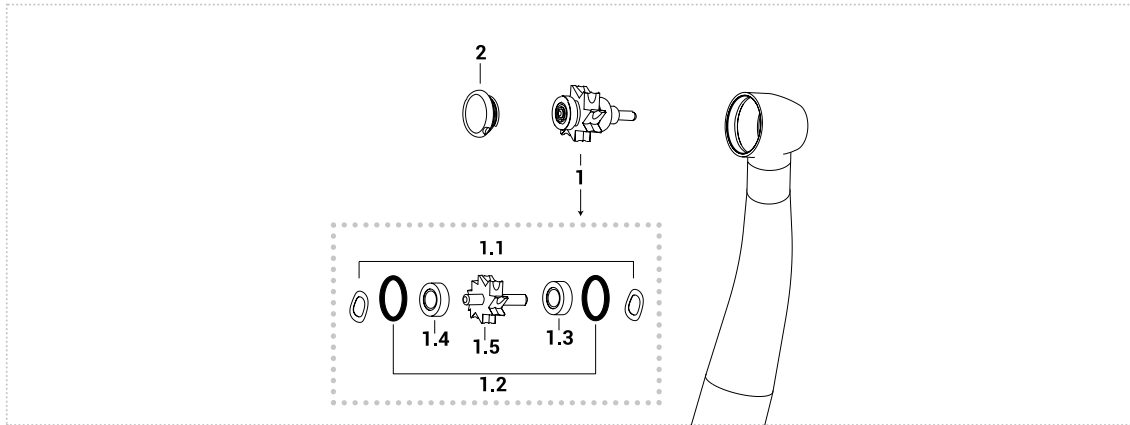
RELATED PRODUCTS			
<b>Push button key</b>	<b>Adapter for spindles</b>	<b>Lubrication</b>	
<b>Order code</b>	KIV1896W	CL5.001V	LIV1018 Ivory Silk Oil OL101S



	<b>1</b>	<b>1.1</b>	<b>1.2</b>	<b>1.3</b>	<b>1.4</b>	<b>1.5</b>	<b>2</b>
	<b>Complete rotor</b>	<b>Spring washer</b>	<b>O-ring kit 10 pcs</b>	<b>Bearing type (burs side)</b>	<b>Bearing type (push side)</b>	<b>Rotor without bearings</b>	<b>Push button</b>
<b>Order code</b>	WH86A	SA300F	OR66K	CN01B	CN01B	SC86W	BC2022W
	WH86T			CN11T	CN11T		

1.3 - 1.4								
<b>Order code</b>	<b>Bearing</b>	<b>Size d.i/d.e/h(mm)</b>	<b>Cage</b>	<b>Balls</b>	<b>Contact</b>	<b>Abec</b>	<b>Brand</b>	<b>Type</b>
	CN01B	3,175X6,350X2,779	Torlon	Steel	Radial	7	Tecnomed Italia	Smooth
	CN11T	3,175X6,350X2,779	Fenolic	Steel	Radial	7	Myonic	Smooth

RELATED PRODUCTS				
	<b>Push button key</b>	<b>Adapter for spindles</b>	<b>Lubrication</b>	
<b>Order code</b>	KIV1896W	CL5.001V	LIV1018	Ivory Silk Oil OL101S



	<b>1</b>	<b>1.1</b>	<b>1.2</b>	<b>1.3</b>	<b>1.4</b>	<b>1.5</b>	<b>2</b>
	<b>Complete rotor</b>	<b>Spring washer</b>	<b>O-ring kit 10 pcs</b>	<b>Bearing type (burs side)</b>	<b>Bearing type (push side)</b>	<b>Rotor without bearings</b>	<b>Push button</b>
<b>Order code</b>	WHX95V	SA300F	OR66K	CN02A	CN01B	SC79W	PIV2034W
	WTX95CH			CN22BC	CN22BC		
	WTX95VT			CN22MC	CN22MC		
	WTX95CC			CB22BC	CB22BC		

1.3 - 1.4								
	Bearing	Size d.i./d.e/h(mm)	Cage	Balls	Contact	Abec	Brand	Type
<b>Order code</b>	CN02A	3,175X6,350X2,380	Torlon	Steel	Radial	7	Tecnomed Italia	Smooth
	CN22BC	3,175X6,350X2,380	Torlon	Ceramic	Radial	7	Tecnomed Italia	Smooth
	CN22MC	3,175X6,350X2,380	Fenolic	Steel	Radial	7	Myonic	Smooth
	CB22BC	3,175X6,350X2,380	Fenolic	Ceramic	Radial	7	Myonic	Smooth

RELATED PRODUCTS			
<b>Push button key</b>	<b>Adapter for spindles</b>	<b>Lubrication</b>	
<b>Order code</b>	KIV1887W	CL5.001V	LIV1018 Ivory Silk Oil OL101S